

TKRL 661 NB

12NC: 859991636350

GTIN (EAN) code: 8003437625640

Whirlpool

SENSING THE DIFFERENCE



Whirlpool gas hob: 4 gas burners - TKRL 661 NB

Standard Whirlpool technologies and features for you to enjoy.

Power Burner 3500W

3.5kW burner. Enjoy tastier results, faster. Seal your meat to perfection, boil water faster or enjoy a perfect stir-fry dishes with the outstanding Power Burner 3.500W.

Power Burner 4gas (PB)

Power cooking. This Whirlpool Hob features 4 Power burners to provide extra heat and speed up boiling, frying and steaming, while ensuring high energy efficiency.

MultiLevel Flame

9 flame levels for different cooking methods. Always get the ideal flame for your cooking methods, to achieve perfect cooking results effortlessly.

Speed to Boil

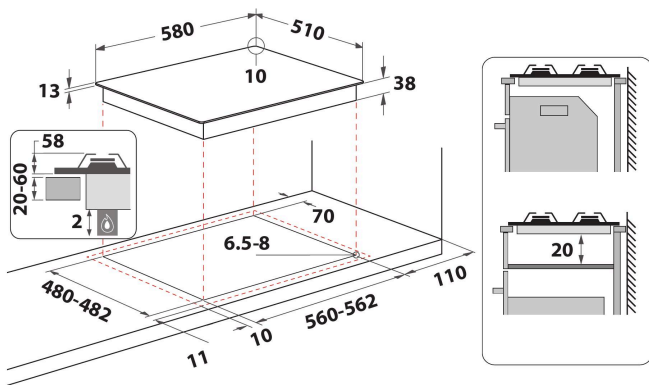
Enjoy faster boiling. Our innovative technology, by effectively harnessing the energy of the flames, ensures more heat is delivered directly to your pots and pans allowing you to enjoy ideal cooking results, sooner.

Stainless Steel

For the stylish modern look in your kitchen.

Front Controls

Complete control over your cooking. Easily accessible and genuinely intuitive, the controls are conveniently positioned on the front panel of your hob, providing a frictionless cooking experience.



- Cast Iron Pan Supports
- Electromagnetic safety device for each burner
- Black knobs
- 2 Rectangular Cast Iron grids
- Front controls
- Mechanical control
- Ignition type: knob
- 4 Burners
- 4 burners: 1 Semirapid 1650 W burner, 1 MINI WOK 3500 W burner, 1 Semirapid 1650 W burner, and 1 Auxiliary 1000 W burner.
- Supply cord included
- Dimensions HxWxD: 33x550x475 mm
- Voltage: 220-240 V
- Gas Connection Rating: 7800 W
- Gas Type: Methane
- Front left zone: 75 mm \varnothing , Semirapid 1650 W

TKRL 661 NB

12NC: 859991636350

GTIN (EAN) code: 8003437625640

Whirlpool

SENSING THE DIFFERENCE

MAIN FEATURES

Product group	Hob
Construction type	Built-in
Type of control	Mechanical
Type of control settings	N/A
Number of gas burners	4
Number of electric cooking zones	0
Number of electric plates	0
Number of radiant plates	0
Number of halogen plates	0
Number of induction plates	0
Number of electric warming zones	0
Location of control panel	Front
Basic surface material	Inox
Main colour of product	Antracite
Electrical connection rating (W)	0
Gas connection rating (W)	7800
Gas type	Methane
Current (A)	0,6
Voltage (V)	220-240
Frequency (Hz)	50/60
Length of Electrical Supply Cord (cm)	100
Plug type	No
Gas connection	N/A
Width of the product	550
Height of the product	33
Depth of the product	475
Minimum niche height	0
Minimum niche width	555
Niche depth	475
Net weight (kg)	10.5
Automatic programmes	No

TECHNICAL FEATURES

Power on indicator	No
Number of indicators	0
Type of regulation	Stepless energy regulated
Type of lid	Glass
Residual heat indicator	Without
Main on/off switch	No
Safety device	Yes
Timer	No

PERFORMANCES

Energy input	Gas
--------------	-----