

# TGML 660 NB

12NC: 859991636360

GTIN (EAN) code: 8003437625657

Whirlpool

SENSING THE DIFFERENCE



## Whirlpool gas hob: 4 gas burners - TGML 660 NB

Standard Whirlpool technologies and features for you to enjoy.

### Power Burner 3500W

3.5kW burner. Enjoy tastier results, faster. Seal your meat to perfection, boil water faster or enjoy a perfect stir-fry dishes with the outstanding Power Burner 3.500W.

### MultiLevel Flame

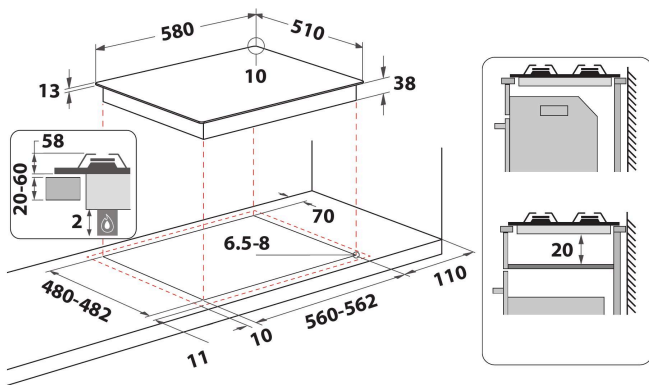
9 flame levels for different cooking methods. Always get the ideal flame for your cooking methods, to achieve perfect cooking results effortlessly.

### Stainless Steel

For the stylish modern look in your kitchen.

### Front Controls

Complete control over your cooking. Easily accessible and genuinely intuitive, the controls are conveniently positioned on the front panel of your hob, providing a frictionless cooking experience.



- Cast Iron Pan Supports
- Electromagnetic safety device for each burner
- Black knobs
- 2 Rectangular Cast Iron grids
- Front controls
- Mechanical control
- Ignition type: knob
- 4 Burners
- 4 burners: 1 Semirapid 1650 W burner, 1 Rapid 3500 W burner, 1 Semirapid 1650 W burner, and 1 Auxiliary 1000 W burner.
- Supply cord included
- Dimensions HxWxD: 33x550x475 mm
- Voltage: 220-240 V
- Gas Connection Rating: 7800 W
- Gas Type: Methane
- Front left zone: 75 mm  $\varnothing$ , Semirapid 1650 W

# TGML 660 NB

12NC: 859991636360

GTIN (EAN) code: 8003437625657

**Whirlpool**

SENSING THE DIFFERENCE

## MAIN FEATURES

Product group	Hob
Construction type	Built-in
Type of control	Mechanical
Type of control settings	N/A
Number of gas burners	4
Number of electric cooking zones	0
Number of electric plates	0
Number of radiant plates	0
Number of halogen plates	0
Number of induction plates	0
Number of electric warming zones	0
Location of control panel	Front
Basic surface material	Inox
Main colour of product	Antracite
Electrical connection rating (W)	0
Gas connection rating (W)	7800
Gas type	Methane
Current (A)	0,6
Voltage (V)	220-240
Frequency (Hz)	50/60
Length of Electrical Supply Cord (cm)	100
Plug type	No
Gas connection	N/A
Width of the product	550
Height of the product	33
Depth of the product	475
Minimum niche height	0
Minimum niche width	555
Niche depth	475
Net weight (kg)	10.5
Automatic programmes	No

## TECHNICAL FEATURES

Power on indicator	No
Number of indicators	0
Type of regulation	Stepless energy regulated
Type of lid	Glass
Residual heat indicator	Without
Main on/off switch	No
Safety device	Yes
Timer	No

## PERFORMANCES

Energy input	Gas
--------------	-----