

BUILT IN DISHWASHER

Model:

HDW-BIM60514E++



- Number of place settings: 14
- Number of programs: 5
 - Energy class: E

HEINER

1. INTRODUCTION

Please read the instructions carefully and keep the manual for future information.

This manual is designed to give all necessary instructions concerning installation, use and maintenance of the unit. In order to operate the unit correctly and safely, please read this instruction manual carefully before installation and use.

2. CONTENT OF YOUR PACKAGE

- ➔ **Dishwasher**
- ➔ **User manual**
- ➔ **Warranty certificate**

3. SAFETY INFORMATION

GENERAL

When using your dishwasher, follow the precautions listed below:

- Installation and repair can only be carried out by a qualified technician.
- This appliance is intended to be used in household and similar applications such as:
 - staff kitchen areas in shops, offices, and other working environments.
 - Farmhouses.
 - by clients in hotels, motels, and other residential type environments.
 - bed and breakfast type environments.
- This appliance can be used by children aged from 8 years and above and persons with reduced physical, sensory, or mental capabilities or lack of experience and knowledge if they have been given supervision or instruction concerning use of the appliance in a safe way and understand the hazards involved.
- Children shall not play with the appliance. Cleaning and user maintenance shall not be done by children without supervision.
- This appliance is not intended for use by persons (including children) with reduced physical, sensory, or mental capabilities, or lack of experience and knowledge, unless they have been given supervision or instruction concerning use of the appliance by a person responsible for their safety.
- Packaging material could be dangerous for children!
- Children should be supervised to ensure that they do not play with the appliance.
- This appliance is for indoor household use only.
- To protect against the risk of electrical shock, do not immerse the unit, cord, or plug in water or other liquid.
- Please unplug before cleaning and maintenance the appliance. Use a soft cloth moisten with mild soap, and then use a dry cloth to wipe it again.
- If the supply cord is damaged, it must be replaced by the authorised service agent or a similarly qualified person to avoid a hazard.

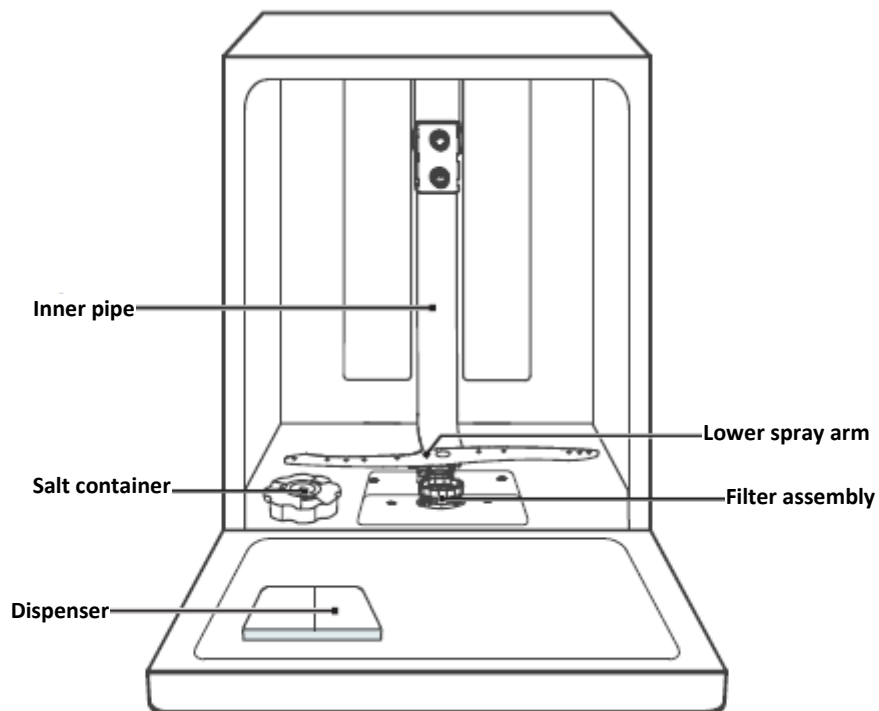
Earthing Instructions

- This appliance must be earthed. In the event of a malfunction or breakdown, earthing will reduce the risk of an electric shock by providing a path of least resistance of electric current. This appliance is equipped with an earthing conductor plug.
- The plug must be plugged into an appropriate outlet that is installed and earthed in accordance with all local codes and ordinances.
- Improper connection of the equipment-earthing conductor can result in the risk of an electric shock.
- Check with a qualified electrician or service representative if you are in doubt whether the appliance is properly grounded.
- Do not modify the plug provided with the appliance if it does not fit the outlet.
- Have a proper outlet installed by a qualified electrician.
- Do not abuse, sit on, or stand on the door or dish rack of the dishwasher.
- Do not operate your dishwasher unless all enclosure panels are properly in place.
- Open the door very carefully if the dishwasher is operating, there is a risk of water squirting out.
- Do not place any heavy objects on or stand on the door when it is open. The appliance could tip forward.
- When loading items to be washed:
 - 1) Locate sharp items so that they are not likely to damage the door seal.
 - 2) Warning: Knives and other utensils with sharp points must be loaded in the basket with their points facing down or placed in a horizontal position.
- Some dishwasher detergents are strongly alkaline. They can be extremely dangerous if swallowed. Avoid contact with the skin and eyes and keep children away from the dishwasher when the door is open.
- Check that there are no detergent residues after completion of the wash cycle.
- Do not wash plastic items unless they are marked "dishwasher safe" or the equivalent.
- For unmarked plastic items not so marked, check the manufacturer's recommendations.
- Use only detergent and rinse agents recommended for use in an automatic dishwasher.
- Never use soap, laundry detergent, or hand washing detergent in your dishwasher.
- The door should not be left open since this could increase the risk of tripping.
- During installation, the power supply must not be excessively or dangerously bent or flattened.
- Do not tamper with controls.
- The appliance needs to be connected to the main water valve using new hose sets. Old sets should not be reused.
- To save energy, in standby mode, the appliance will switch off automatically after 15 minutes without any user interaction.
- The maximum number of place settings to be washed is 14.
- The maximum permissible inlet water pressure is 1MPa.
- The minimum permissible inlet water pressure is 0.04MPa.

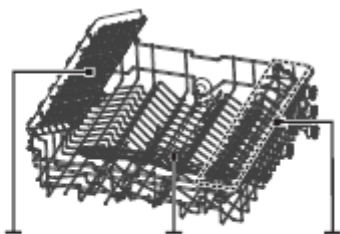
4. PRODUCT DESCRIPTION

IMPORTANT!

To get the best performance from your dishwasher, read all operating instructions before using it for the first time.



Cutlery basket

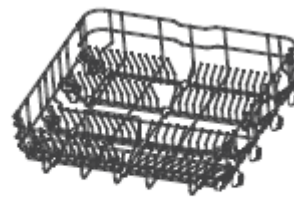


Cutlery rack

Upper spray arm

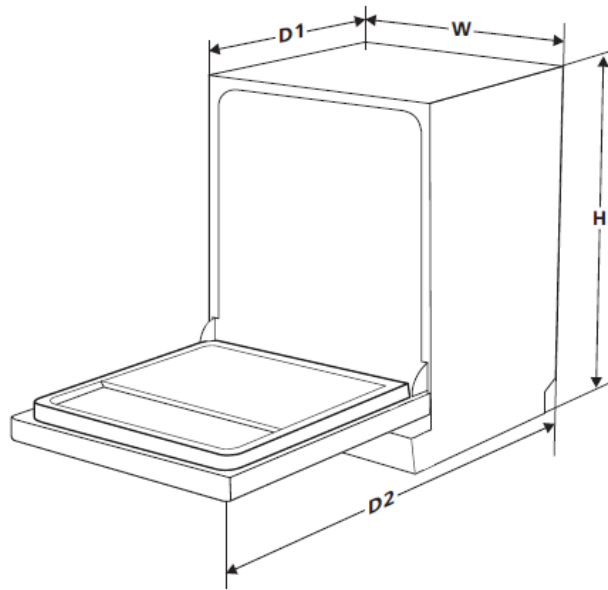
Cup rack

Upper basket



Lower basket

5. TECHNICAL INFORMATION



Height (H)	820mm
Width (W)	600mm
Depth (D1)	550mm (with the door closed)
Depth (D2)	1150mm (with the door opened 90°)

6. INSTALLATION

WARNING!

Electrical Shock Hazard

Disconnect electrical power before installing dishwasher.

Failure to do so could result in death or electrical shock.

ATTENTION

The installation of piping and electrical equipment must be carried out by qualified personnel.

About power connection

WARNING!

For personal safety:

Do not use an extension cord or an adapter plug with this appliance.

Do not, under any circumstances, cut or remove the earthing connection from the power cord.

Electrical requirements

Please look at the rating label to know the rating voltage and connect the dishwasher to the appropriate power supply. Use the required fuse 10A/13A/16A, time delay fuse or circuit breaker recommended and provide separate circuit serving only this appliance.

Electrical connection

Ensure the voltage and frequency of the power being corresponds to those on the rating plate. Only insert the plug into an electrical socket which is earthed properly. If the electrical socket to which the appliance must be connected is not appropriate for the plug, replace the socket, rather than using an adaptor or the like as they could cause overheating and burns.

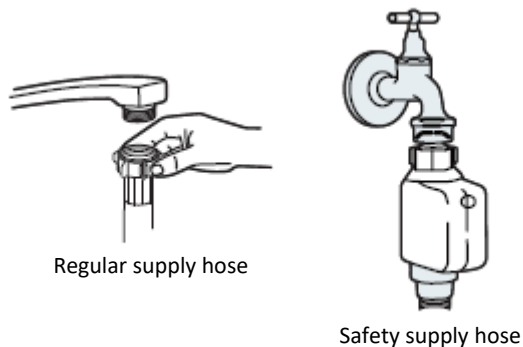
Ensure that proper earthing exists before use.

Water supply and drain

Cold water connection

Connect the cold-water supply hose to a threaded 3/4(inch) connector and make sure that it is fastened tightly in place.

If the water pipes are new or have not been used for an extended period, let the water run to make sure that the water is clear. This precaution is needed to avoid the risk of the water inlet to be blocked and damage the appliance.



About the safety supply hose

The safety supply hose consists of the double walls. The system guarantees its intervention by blocking the flow of water in case of the supply hose breaking and when the air space between the supply hose itself and the outer corrugated hose is full of water.

WARNING!

A hose that attaches to a tap can burst if it is installed on the same water line as the dishwasher. If your sink has one, it is recommended that the hose be disconnected, and the hole plugged.

How to connect the safety supply hose

1. Pull the safety supply hoses out from storage compartment located at rear of dishwasher.
2. Tighten the screws of the safety supply hose to the faucet with thread $\frac{3}{4}$ inch.
3. Turn the water fully on before starting the dishwasher

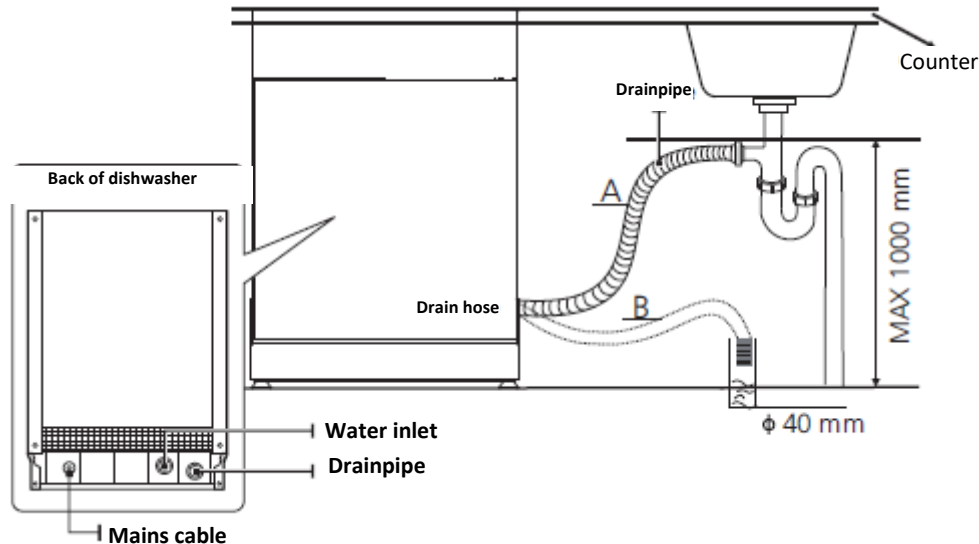
How to disconnect the safety supply hose

1. Turn off the water.
2. Unscrew the safety supply hose from the faucet.

Connection of drain hoses

Insert the drain hose into a drainpipe with a minimum diameter of 4 cm, or let it run into the sink, making sure to avoid bending or crimping it. The height of drainpipe must be less than 1000 mm. The free end of the hose must not be immersed in water to avoid the back flow of it.

Please securely fix the drain hose in either position A or position B



How to drain excess water from hoses

If the connection to the drainpipe is positioned higher than 1000 mm, excess water may remain in the drain hose. It will be necessary to drain excess water from the hose into a bowl or suitable container that is held outside and lower than the sink.

Water outlet

Connect the water drain hose. The drain hose must be correctly fitted to avoid water leaks. Ensure that the water drain hose is not kinked or squashed.

Extension hose

If you need a drain hose extension, make sure to use a similar drain hose.

It must not be longer than 4 meters, otherwise the cleaning effect of the dishwasher could be reduced.

Syphon connection

The waste connection must be at a height less than 1000 mm (maximum) from the bottom of the dishwasher.

Positioning the appliance

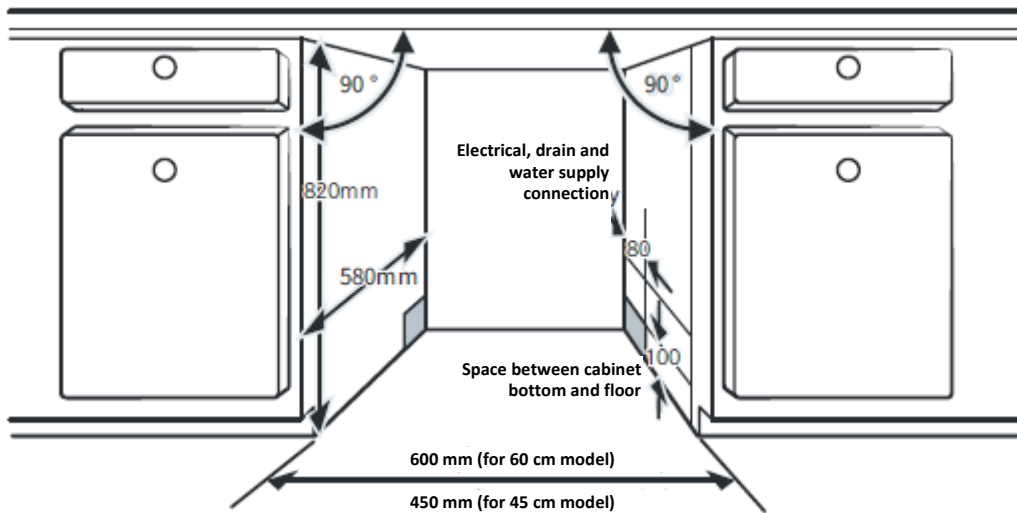
Position the appliance in the desired location. The back should rest against the wall behind it, and the sides, along the adjacent cabinets or walls. The dishwasher is equipped with water supply and drain hoses that can be positioned either to the right or the left sides to facilitate proper installation.

Installation

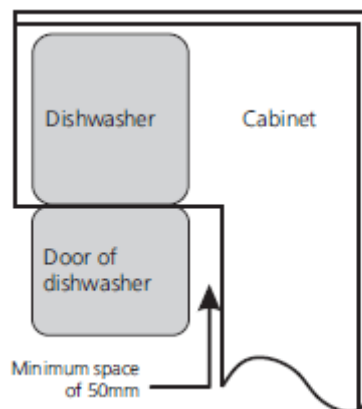
Step 1. Selecting the best location for the dishwasher

The installation position of the dishwasher should be near the existing inlet and drain hose and power socket. Illustrations of cabinet dimensions and installation position of the dishwasher.

1. Less than 5 mm between the top of dishwasher and cabinet and the outer door aligned to cabinet.



2. If dishwasher is installed at the corner of the cabinet, there should be some space when the door is opened.



NOTE:

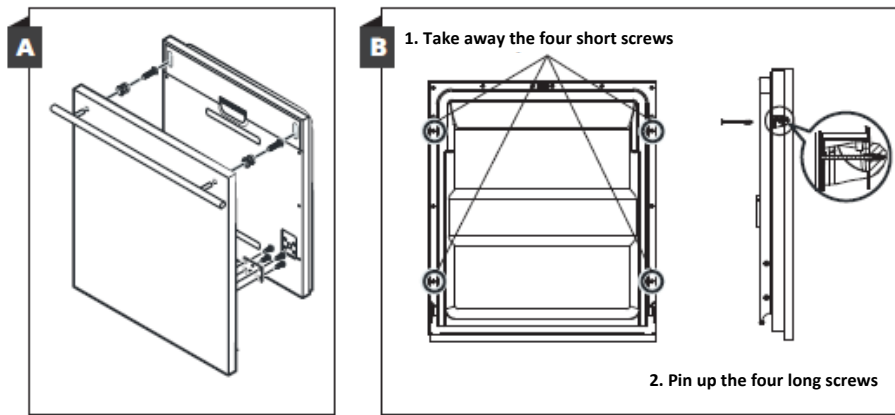
Depending on where your electrical outlet is, you may need to cut a hole in the opposite cabinet side.

Step 2. Aesthetic panel's dimensions and installation

Follow the specific installation instruction for attaching the aesthetical door panel.

Fully integrated model

Install the hook on the aesthetic panel and put the hook into the slot of the outer door of dishwasher (see figure A). After positioning of the panel, fix the panel onto the outer door by screws and bolts (See figure B).

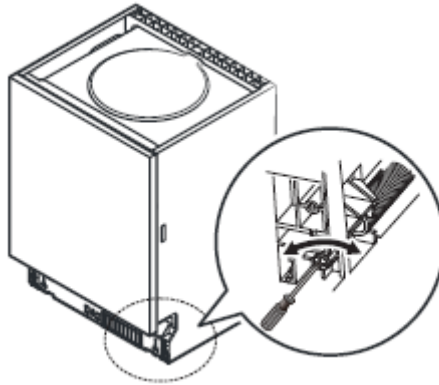


Step 3. Tension adjustment of the door spring

1. The door springs are set at the factory to the proper tension for the outer door. If aesthetic panel are installed, you will have to adjust the door spring tension.

Rotate the adjusting screw to drive the adjustor to strain or relax the steel cable.

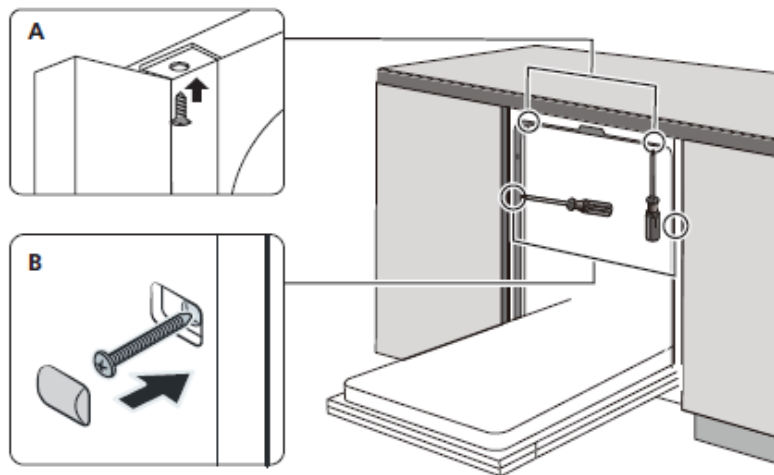
2. Door spring tension is correct when the door remains horizontal in the fully opened position yet rises to a close with the slight lift of a finger.



Step 4. Dishwasher installation steps

Please refer to the specific installation steps in the installation drawings.

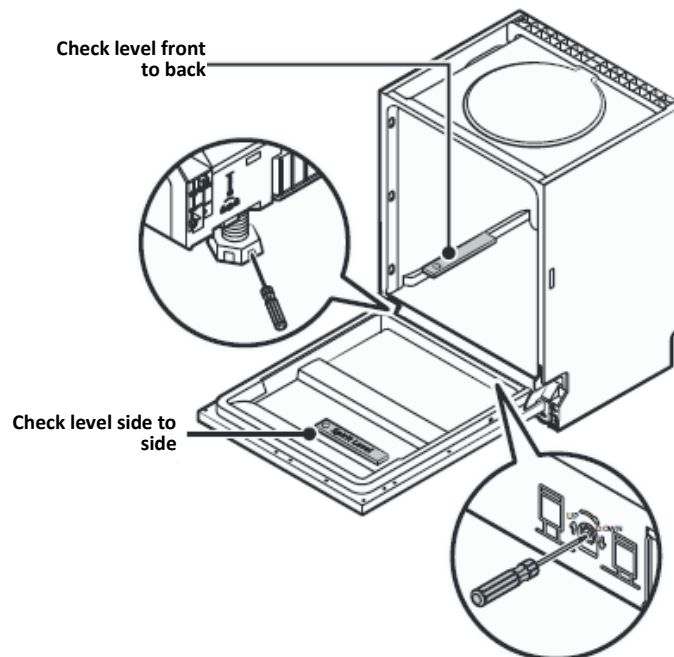
1. Affix the condensation strip under the work surface of cabinet. Please ensure the condensation strip is flush with edge of work surface (Step 2).
2. Connect the inlet hose to the cold-water supply.
3. Connect the drain hose.
4. Connect the power cord.
5. Place the dishwasher into the cabinet
6. Level the dishwasher. The rear foot can be adjusted from the front of the dishwasher by turning the Philips screw in the middle of the base of dishwasher use Philips screwdriver. To adjust the front feet, use a flat screwdriver and turn the front feet until the dishwasher is level. (Step 5 to Step 6)
7. Install the furniture door to the outer door of the dishwasher. (Step 7 to Step 10)
8. Adjust the tension of the door springs by using turning in a Philips screwdriver clockwise motion to tighten the left and right door springs. Failure to do this could cause damage to your dishwasher. (Step 11)
9. The dishwasher must be secured in place. There are two ways to do this:
 - A. Normal work surface: Put the installation hook into the slot of the side plane and secure it to the work surface with the screws.
 - B. Marble or granite work top: Fix the side with the screws.



Step 5. Levelling the dishwasher

Dishwasher must be level for proper dish rack operation and wash performance.

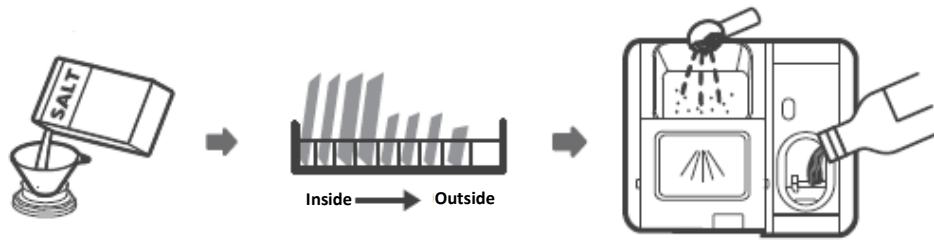
1. Place a spirit level on door and rack track inside the tub as shown to check that the dishwasher is level.
2. Level the dishwasher by adjusting the three levelling feet individually.
3. When level the dishwasher, please pay attention not to let the dishwasher tip over



NOTE: The maximum adjustment height of the feet is 50 mm.

7. USING YOUR DISHWASHER

Before using your dishwasher:



1. Set the water softener.
2. Place softener salt in the special compartment provided.
3. Load the basket.
4. Fill the detergent dispenser.

Loading the salt into the softener

NOTE!

If your model does not have any water softener, you may skip this section.

- Always use salt intended for dishwasher use.
- The salt container is located beneath the lower basket and should be filled as explained in the following:

WARNING!

Only use salt specifically designed for dishwashers use!

Every other type of salt not specifically designed for dishwasher use, especially table salt, will damage the water softener. In case of damages caused by the use of unsuitable salt the manufacturer does not give any warranty nor is liable for any damages caused.

Only fill with salt before running a cycle.


This will prevent any grains of salt or salty water, which may have been spilled, remaining on the bottom of the machine for any period of time, which may cause corrosion.

Please follow the steps below for adding dishwasher salt:



1. Remove the lower basket and unscrew the reservoir cap.
2. Place the end of the funnel (if supplied) into the hole and pour in about 1.5 kg of dishwasher salt.
3. Fill the salt container to its maximum limit with water, It is normal for a small amount of water to come out of the salt container.
4. After filling the container, screw back the cap tightly.
5. The salt warning light will turn off after the salt container has been filled with salt.
6. Immediately after filling the salt into the salt container, a washing program should be started (We suggest using a short program). Otherwise, the filter system, pump or other important parts of the machine may be damaged by salty water. This is out of warranty.

NOTE:

- The salt container must only be refilled when the salt warning light () in the control panel comes on. Depending on how well the salt dissolves, the salt warning light may still be on even though the salt container is filled.

If there is no salt warning light in the control panel (for some models), you can estimate when to fill the salt into the softener by the cycles that the dishwasher has run.

- If salt has spilled, run a soak or quick program to remove it.

Basket loading tips

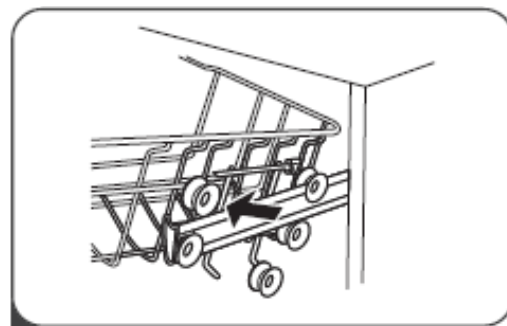
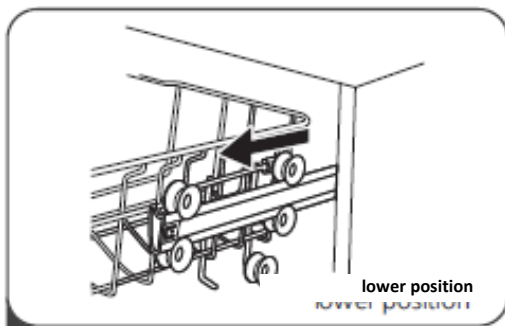
Adjusting the upper basket

Type 1:

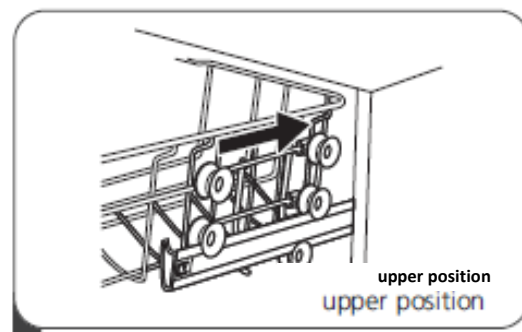
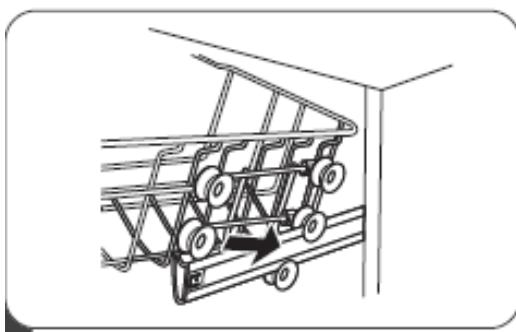
The height of the upper basket can be easily adjusted to accommodate taller dishes in either the upper or lower basket.

To adjust the height of the upper rack, follow these steps:

1. Pull out the upper basket.
2. Remove the upper basket.



3. Re-attach the upper basket to upper or lower rollers.
4. Push in the upper basket.



Folding back the cup shelves

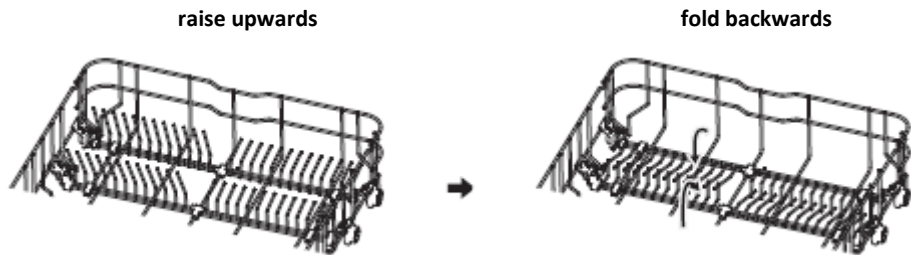
To make room for taller items in the upper basket, raise the cup rack upwards.

You can then lean the tall glasses against it.



Folding back the rack shelves

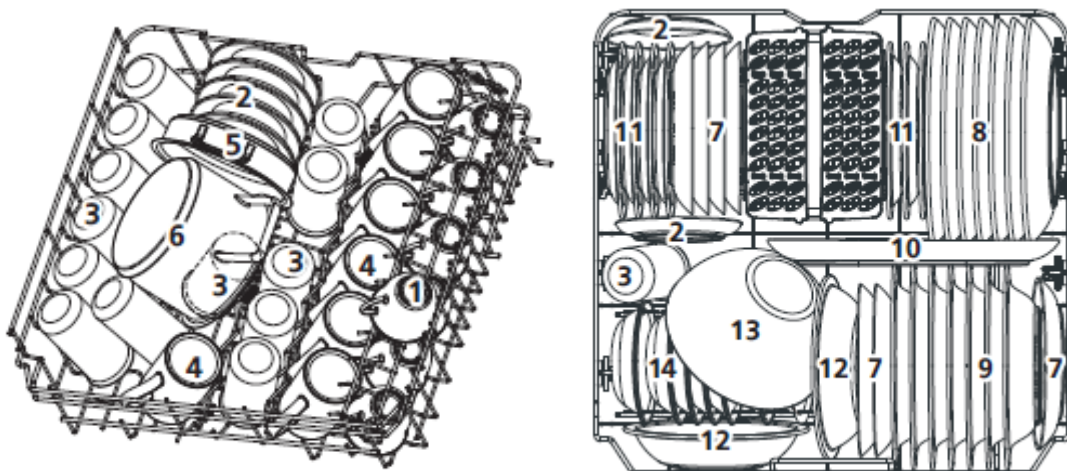
The spikes of the lower basket are used for holding plates and a platter. They can be lowered to make more room for large items.



Loading the baskets (according to EN60436)

Loading the dishwasher to its full capacity will contribute to energy and water savings.

Upper and lower basket

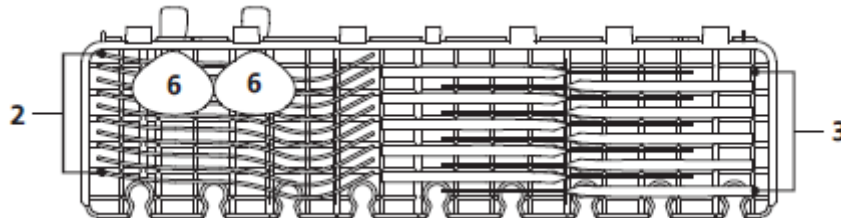


Number	Item
1	Cups
2	Saucers
3	Glasses
4	Mugs
5	Oven pot
6	Small pot

Number	Item
7	Dessert plates
8	Dinner plates

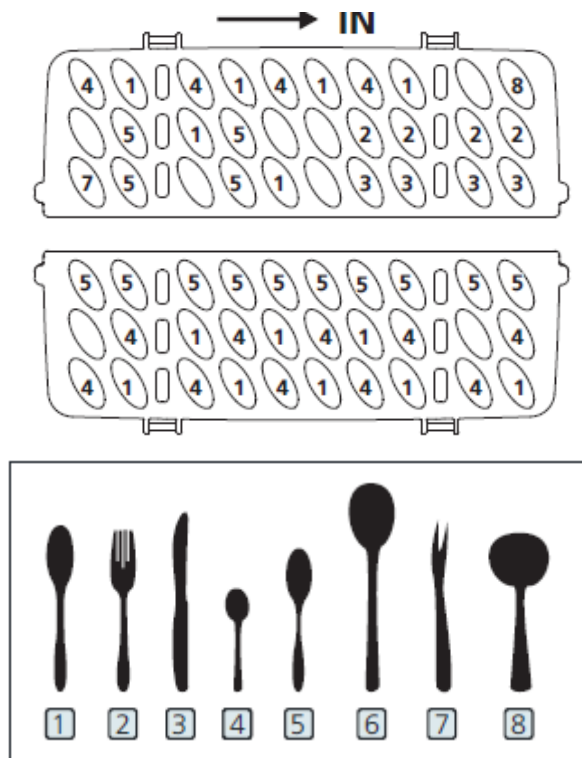
9	Soup plates
10	Oval platter
11	Melamine dessert plates
12	Melamine bowls
13	Glass bowl
14	Dessert bowls
15	Cutlery basket

Cutlery rack



Note: Please place the light flat wares on the shelf. The maximum loading weight is 1.5kg.

Cutlery basket



Number	Item
1	Soup spoons
2	Forks
3	Knives
4	Teaspoons
5	Dessert spoons
6	Serving spoons
7	Serving forks
8	Gravy ladle

Information for comparability tests in accordance with EN60436

Capacity: 14 place settings

Position of the upper basket: lower position

Program: ECO

Rinse aid setting: Max

Softener setting: H3

Water softener

The water softener must be set manually, using the water hardness dial.

The water softener is designed to remove minerals and salts from the water, which would have a detrimental or adverse effect on the operation of the appliance.

The more minerals there are, the harder your water is.

The softener should be adjusted according to the hardness of the water in your area.

Your local Water Authority can advise you on the hardness of the water in your area.

Adjusting salt consumption

The dishwasher is designed to allow for adjustment in the amount of salt consumed based on the hardness of the water used. This is intended to optimise and customise the level of salt consumption.

Please follow the steps below for adjustment in salt consumption.

1. Open the door, switch on the appliance.
2. Within 60 seconds after the appliance was switched on press the Rapid button for more than 5 seconds to enter the water softener setting mode.
3. Press the Rapid button to select the proper set according to your local environment, the setting will change in the following sequence: H1->H2->H3->H4->H5->H6.
4. Press the Power button to end the setting mode.

Water hardness				Water softener level	Regeneration occurs every x program sequence 1)	Salt consumption (gram/cycle)
German *dh	French *fh	British *Clarke	Mmol/l			
0-5	0-9	0-6	0-0.94	H1-> Rapid light bright	No regeneration	0
6-11	10-20	7-14	1.0-2.0	H2->90 min light bright	10	9
12-17	21-30	15-21	2.1-3.0	H3->90 min, Rapid Light bright	5	12
18-22	31-40	22-28	3.1-4.0	H4->ECO Light bright	3	20
23-34	41-60	29-42	4.1-6.0	H5->ECO, Rapid Light bright	2	30
35-55	61-98	43-69	6.1-9.8	H6->ECO, 90 min Light bright	1	60

$1^{\circ}\text{dH}=1.25^{\circ}$ Clarke= 1.78° fH= 0.178mmol/l

The factory setting: H3

1)Every cycle with a regeneration operation consumes additional 2.0 litres of water, the energy consumption increases by 0.02 kWh and the program extends by 4 minutes.

NOTE!

If your model does not have any water softener, you may skip this section.

Water Softener

The hardness of the water varies from place to place. If hard water is used in the dishwasher, deposits will form on the dishes and utensils.

The appliance is equipped with a special softener that uses a salt container specifically designed to eliminate lime and minerals from the water.

Preparing and loading dishes

- Consider buying utensils which are identified as dishwasher-proof.
- For particular items, select a program with the lowest possible temperature.
- To prevent damage, do not take glass and cutlery out of the dishwasher immediately after the program has ended.

For washing the following cutlery/dishes

Are not suitable:

- Cutlery with wooden, bone or mother-of-pearl handles
- Plastic items that are not heat resistant.
- Older cutlery with glued parts that are not temperature resistant.
- Bonded cutlery items or dishes
- Pewter or cooper items
- Crystal glass
- Steel items subject to rusting
- Wooden platters
- Items made from synthetic fibres.

Are of limited suitability

- Some types of glasses can become dull after a large number of washes.
- Silver and aluminium parts have a tendency to discolour during washing.
- Glazed patterns may fade if machine washed frequently.

Recommendations for loading the dishwasher

Scrape off any large amounts of leftover food. Soften remnants of burnt food in pans. It is not necessary to rinse the dishes under running water.

For best performance of the dishwasher, follow these loading guidelines. (Features and appearance of baskets and cutlery baskets may vary from your model.)

Place objects in the dishwasher in the following way:

- Items such as cups, glasses, pots, pans, etc. must face downwards.
- Curved items, or ones with recesses, should be loaded aslant so that water can run off.
- All utensils are stacked securely and cannot tip over.
- All utensils are placed in the way that the spray arms can rotate freely during washing.
- Load hollow items such as cups, glasses, pans etc. With the opening facing downwards so that water cannot collect in the container or a deep base.
- Dishes and items of cutlery must not lie inside one another or cover each other.
- To avoid damage, glasses should not touch one another.
- The upper basket is designed to hold more delicate and lighter dishware such as glasses, coffee and teacups.

- Long bladed knives stored in an upright position are a potential hazard!
- Long and sharp items of cutlery such as carving knives must be positioned horizontally in the upper basket.
- Please do not overload your dishwasher. This is important for good results and for reasonable consumption of energy.

NOTE:

Very small items should not be washed in the dishwasher as they could easily fall out of the basket.

Removing the dishes

To prevent water dripping from the upper basket into the lower basket, we recommend that you empty the lower basket first, followed by the upper basket.

WARNING!

Items will be hot! To prevent damage, do not take glass and cutlery out of the dishwasher for around 15 minutes after the program has ended.

Loading the upper basket

The upper basket is designed to hold more delicate and lighter dishware such as glasses, coffee and tea cups and saucers, as well as plates, small bowls and shallow pans (as long as they are not too dirty). Position the dishes and cookware so that they will not get moved by the spray of water.

**Loading the lower basket**

We suggest that you place large and difficult to clean items into the lower basket: such as pots, pans, lids, serving dishes and bowls, as shown in the figure below. It is preferable to place serving dishes and lids on the side of the racks in order to avoid blocking the rotation of the top spray arm.

The maximum diameter advised for plates in front of the detergent dispenser is of 19 cm, this not to hamper the opening of it.

**Loading the cutlery basket**

Cutlery should be placed in the cutlery basket separate from each other in the appropriate positions. Avoid nesting of the cutlery to prevent insufficient cleaning performance.

WARNING

Do not let any item extend through the bottom.
Always load sharp utensils with the sharp point down!

For the best washing effect, please load the baskets refer to standard loading options.

Function of the rinse aid and detergent

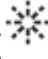
The rinse aid is released during the final rinse to prevent water from forming droplets on your dishes, which can leave spots and streaks. It also improves drying by allowing water to roll off the dishes. Your dishwasher is designed to use liquid rinse aids.

Only use branded rinse aid for dishwasher. Never fill the rinse aid dispenser with any other substances (e.g. Dishwasher cleaning agent, liquid detergent).

This would damage the appliance.

When to refill the rinse aid

The regularity of the dispenser needing to be refilled depends on how often dishes are washed and the rinse aid setting used.

The Low Rinse Aid indicator () will be lit when more rinse aid is needed. Do not overfill the rinse aid dispenser.

Function of detergent

The chemical ingredients that compose the detergent are necessary to remove, crush and dispense all dirt out of the dishwasher. Most of the commercial quality detergents are suitable for this purpose.

WARNING!

Proper Use of Detergent

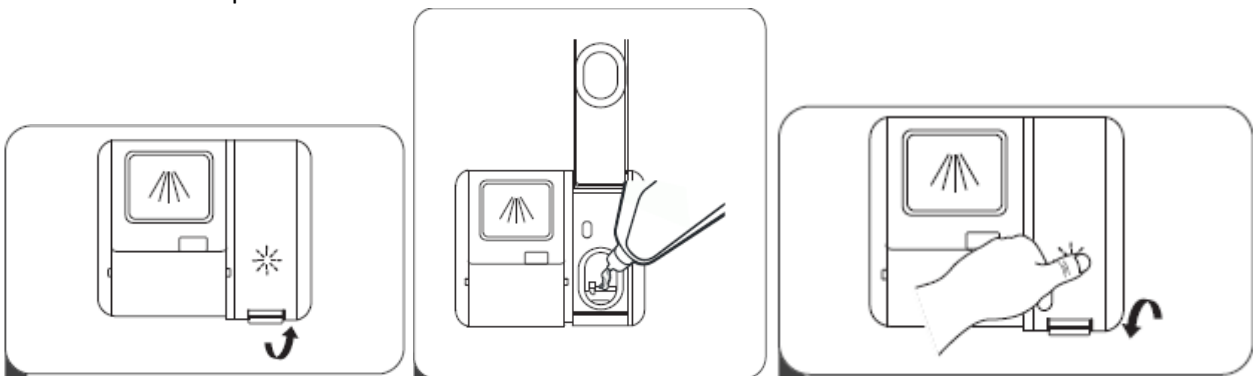
Use only detergent specifically made for dishwashers use. Keep your detergent fresh and dry.

Do not fill detergent into the dispenser until you are ready to start the dishwasher.

Dishwasher detergent is corrosive! Keep dishwasher detergent out of the reach of children.

Filling the rinse aid reservoir

1. Remove the rinse reservoir cap by lifting up the handle.
2. Pour the rinse aid into the dispenser, being careful not to overfill.
3. Close the cap after all.



Adjusting the rinse aid reservoir

To achieve a better drying performance with limited rinse aid, the dishwasher is designed to adjust the consumption by user. Follow the below steps.

1. Open the door and switch on the appliance

2. Within 60 seconds after step 1, press the Rapid button more than 5 seconds, and then press the Delay button to enter the set model, the rinse aid indication blinks as 1Hz frequency.

3. Press the Rapid button again to select the proper set according to your using habits, the sets will change in the following sequence: D1->D2->D3->D4->D5->D1.

The higher the number, the more rinse aid the dishwasher uses.

4. Without operation in 5 seconds or press the Power button to complete the setup and exit the setup mode.

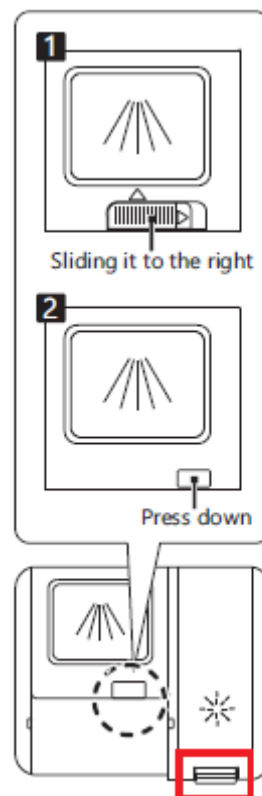
Rinse aid level	Selector position
D1	Rapid Light bright
D2	90 min Light bright
D3	90 min, Rapid Light bright
D4	ECO Light bright
D5	ECO, Rapid Light bright

Filling the detergent dispenser

Please choose an open way according to the actual situation.

A. Open the cap by sliding the release latch.

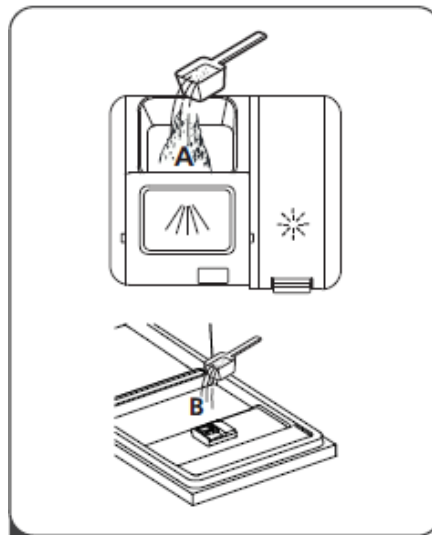
B. Open the cap by pressing down the release latch.



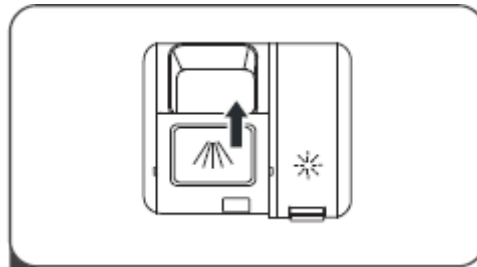
Add detergent into the larger cavity (A) for the main wash cycle.

For better cleaning result, especially if you have very dirt items, pour a small amount of detergent onto the door.

The additional detergent will activate during the pre-wash phase.



Close the flap by sliding it to the front and then pressing it down.



NOTE:

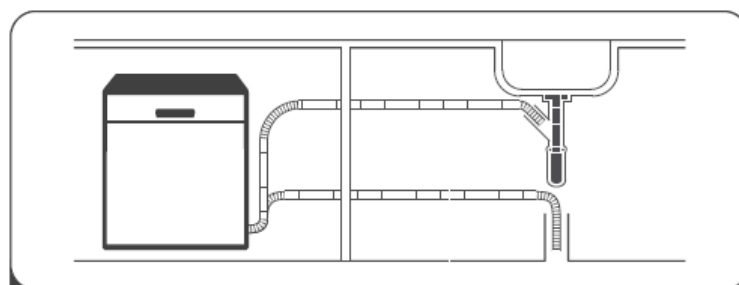
Be aware that depending on the soiling of water, setting may be different.

Please observe the manufacturer's recommendations on the detergent packaging.

8. QUICK USER GUIDE

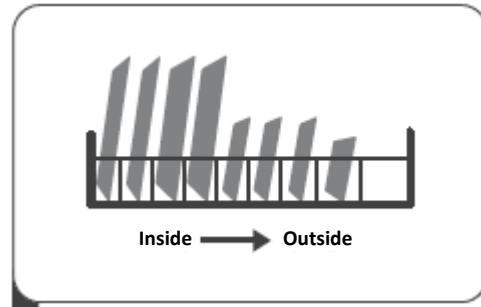
Please read the corresponding content of the instruction manual for detailed operating method.

1. Install the dishwasher

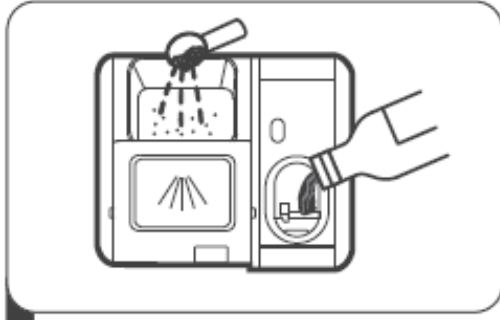


2. Remove larger residue from dishes. Avoid pre-rinsing.

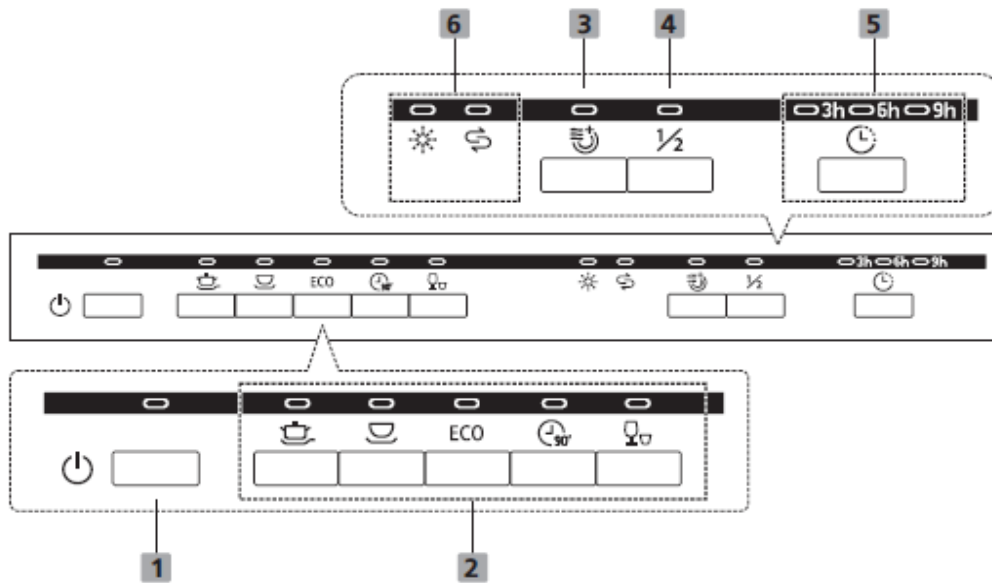
3. Load the baskets.











4. Fill the dispenser with detergent and rinse aid.
5. Select a suitable program and start the dishwasher.



9. CONTROL PANEL







1. Power	Press this button to turn on your dishwasher.
2. Program	<p> Intensive For heaviest soiled crockery, and normally soiled pots, pans, dishes etc. with dried-on food.</p> <p> Universal For normally soiled loads, such as pots, plates, glasses and lightly soiled pans.</p> <p>ECO ECO This is standard program; it is suitable to clean normally soiled tableware and it is the most efficient program in terms of its combined energy and water consumption for that type of tableware.</p> <p> 90 min For normally soiled loads that need quick wash.</p> <p> Rapid A shorter wash for lightly soiled loads that do not need drying.</p>
3. Extra Drying	For better drying result. (It can only be used with Intensive, Universal, ECO and 90 min.)
4. Half-load	When you have about or less than half of full place setting dishware to wash, you can choose this function to save energy and water. (It can only be used with Intensive, Universal, ECO, Glass and 90 min)
5. Delay	Press the button to set the delay time (3h/6h/9h).
6. Warning indicator	<p> Rinse Aid</p> <p>If the “  ” indicator is lit, it means the dishwasher is low on dishwasher rinse aid and requires a refill.</p>

 Salt If the “  ” indicator is lit, it means the dishwasher is low on dishwasher salt and needs to be refilled
--

10. PROGRAM TABLE

The table below shows which programs are best for the levels of food residue on them and how much detergent is needed. It also shows various information about the programs. Consumption values and program duration are only indicative except for ECO program.

● indicates that the program uses rinse aid in the last rinse.

Program	Description of cycle	Detergent pre/main wash	Running time (min)	Energy (kWh)	Water (L)	Rinse Aid
 Intensive	Pre-wash (50°C) Wash (65°C) Rinse Rinse Rinse (65°C) Drying	<u>4/18 g</u> 1 or 2 detergent tabs	205	1.621	17.8	●
 Universal	Pre-wash (45°C) Wash (55°C) Rinse Rinse (65°C) Drying	<u>4/18 g</u> 1 or 2 detergent tabs	175	1.302	14.3	●
ECO (*EN 60436)	Wash (45°C) Rinse Rinse (60°C) Drying	<u>4/18 g</u> 1 or 2 detergent tabs	220	0.951	11.0	●
 90 min	Wash (60°C) Rinse Rinse (65°C) Drying	<u>22g</u> 1 detergent tab	90	1.350	11.7	●
 Rapid	Wash (50°C) Rinse Rinse (45°C)	20 g	30	0.751	11.2	○

NOTE: The ECO program is suitable to clean normally soiled tableware, that for this use, it is the most efficient program in terms of its combined energy and water consumption, and it is used to assess compliance with the EU eco-design legislation

Saving energy

1. Pre-rinsing of tableware items leads to increased water and energy consumption and is not recommended.
2. Washing tableware in a household dishwasher usually consumes less energy and water in the use phase than hand dishwashing when the household dishwasher is used according to the instructions.

Starting a program

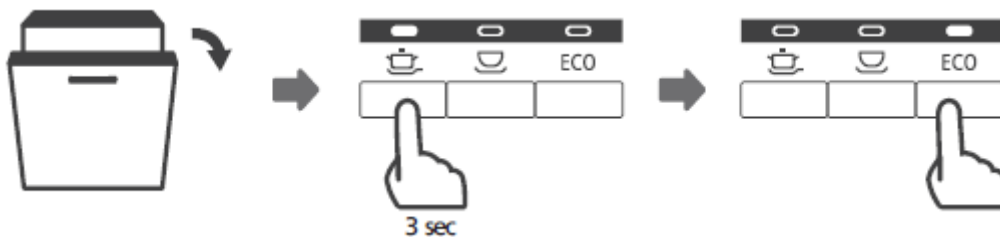
1. Draw out the lower and upper basket, load the dishes and push them back. It is recommended to load the lower basket first, then the upper one.
2. Pour in the detergent.
3. Insert the plug into the socket. For power supply information, please refer to the product datasheet. Make sure that the water supply is turned on to full pressure.
4. Close the door, then press the Power button.
5. Choose a programme and the corresponding indicator will light up. Then press the Start/Pause button and the dishwasher will start the cycle.

Changing The Program Mid-cycle

A program can only be changed if it has been running only for a short period of time, otherwise the detergent may have already been released or the wash water with detergent has already been drained. If this is the case, the dishwasher needs to be reset and the detergent dispenser must be refilled.

To reset the dishwasher, follow the instructions below:

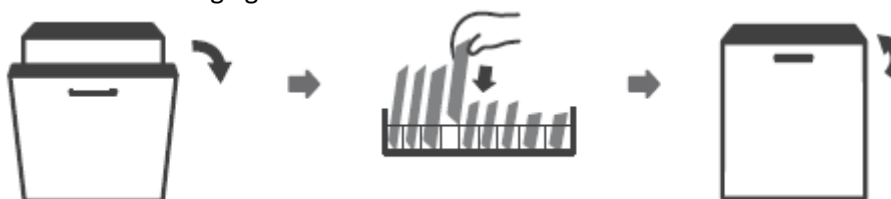
1. Open the door a little to stop the dishwasher, after the spray arm stopped working, you can open the door completely.
2. Press one of Program buttons more than three seconds the machine will be in program selection mode
3. You can change the program to the desired cycle setting



Forget To Add A Dish?

A forgotten dish can be added any time before the detergent dispenser opens. If this is the case, follow the instructions below:

1. Open the door a little to stop the washing.
2. After the spray arms stopped working, you can open the door completely.
3. Add the forgotten dishes.
4. Close the door.
5. The dishwasher will start running again.



WARNING!

It is dangerous to open the door mid-cycle, as hot steam may scald you.

11. CLEANING AND MAINTENANCE

External care

The door and the door seal

Clean the door seals regularly with a soft damp cloth to remove food deposits.

When the dishwasher is being loaded, food and drink residues may drip onto the sides of the dishwasher door. These surfaces are outside the wash cabinet and are not accessed by water from the spray arms. Any deposits should be wiped off before the door is closed.

The control panel

If cleaning is required, the control panel should be wiped with a soft damp cloth only.

Warning:

- To avoid penetration of water into the door lock and electrical components, do not use a spray cleaner of any kind.
- Never use abrasive cleaners or scouring pads on the outer surfaces because they may scratch the finish. Some paper towels may also scratch or leave marks on the surface.

Internal care

Filtering system

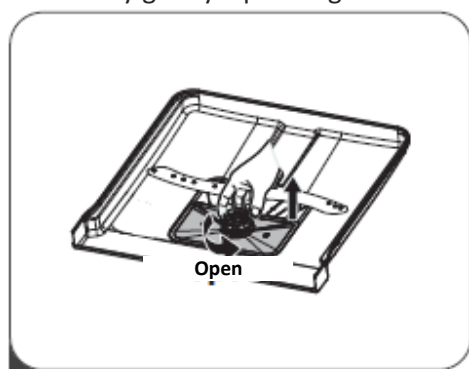
The filtering system in the base of the wash cabinet retains coarse debris from the washing cycle, including foreign objects such as toothpicks or shards. The collected coarse debris may cause the filters to clog. Check the condition of the filters regularly, carefully remove foreign objects and clean the parts of the filtering system, if necessary, with water. Follow the steps below to clean the filter.

NOTE:

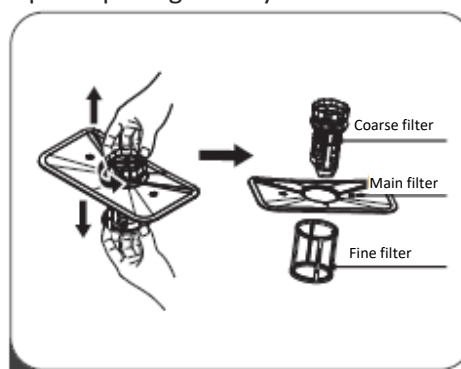
Pictures are only for reference; different models of the filtering system and spray arms may be different.

Step 1: Hold the coarse filter and rotate it anticlockwise to unlock the filter. Lift the filter upwards and out of the dishwasher.

Step 2: The fine filter can be pulled off the bottom of the filter assembly. The coarse filter can be detached from the main filter by gently squeezing the tabs at the top and pulling it away.



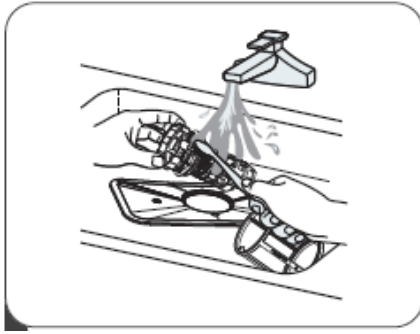
Step 1



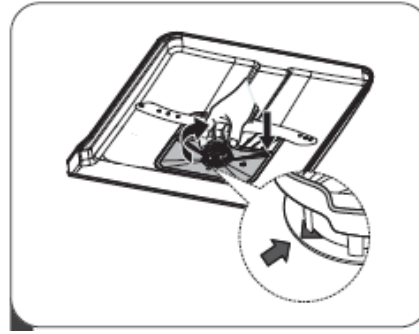
Step 2

Step 3: Larger food remnants can be cleaned by rinsing the filter under running water. For a more thorough clean, use a soft cleaning brush.

Step 4: Reassemble the filters in the reverse order of the disassembly, replace the filter insert, and rotate clockwise to the close arrow.



Step 3



Step 4

Warning:

Do not over tighten the filters. Put the filters back in sequence securely, otherwise coarse debris could get into the system and cause a blockage.

Never use the dishwasher without filters in place. Improper replacement of the filter may reduce the performance level of the appliance and damage dishes and utensils.

Spray arms

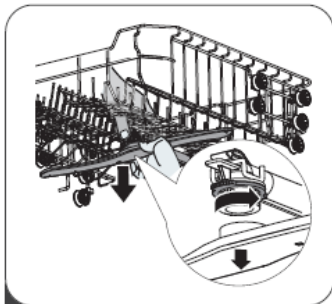
It is necessary to clean the spray arms regularly for hard water chemicals will clog the spray arm jets and bearings.

To clean the spray arms, follow the instructions below:

Step 1: To remove the upper spray arm, hold the nut in the centre still and rotate the spray arm counterclockwise to remove it.

Step 2: To remove the lower spray arm, pull out the spray arm upward.

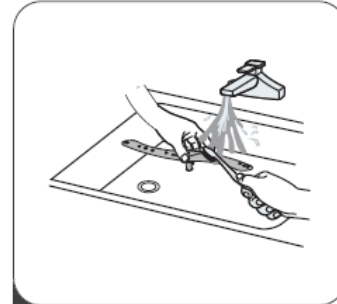
Step 3: Wash the arms in soapy and warm water and use a soft brush to clean the jets.



Step 1



Step 2



Step 3

Caring for the dishwasher

Frost precaution

Please take frost protection measures on the dishwasher in winter. Every time after washing cycles, please operate as follows:

1. Cut off the electrical power to the dishwasher at the supply source.
2. Turn off the water supply and disconnect the water inlet pipe from the water valve.
3. Drain the water from the inlet pipe and water valve (use a pan to gather the water)
4. Reconnect the water inlet pipe to the water valve.
5. Remove the filter at the bottom of the tub and use a sponge to soak up water in the sump.

After every wash

After every wash, turn off the water supply to the appliance and leave the door slightly open for a while so that moisture and odours are not trapped inside.

Remove the plug

Before cleaning or performing maintenance, always remove the plug from the socket.

No solvents or abrasive cleaning

To clean the exterior and rubber parts of the dishwasher, do not use solvents or abrasive cleaning products. Only use a cloth with warm soapy water.

To remove spots or stains from the surface of the interior, use a cloth dampened with water and a little vinegar, or a cleaning product made specifically for dishwashers.

When not in use for a long time

It is recommended that you run a wash cycle with the dishwasher empty and then remove the plug from the socket, turn off the water supply and leave the door of the appliance slightly open. This will help the door seals to last longer and prevent odours from forming within the appliance.

Moving the appliance

If the appliance must be moved, try to keep it in the vertical position. If necessary, it can be positioned on its back.

Seals

One of the factors that cause odours to form in the dishwasher is food that remains trapped in the seals. Periodic cleaning with a damp sponge will prevent this from occurring.

12. TROUBLESHOOTING

Error Codes	Meanings	Possible Causes
The Rapid light flicker fleetly	Longer inlet time.	Faucets is not opened, or water intake is restricted, or water pressure is too low.
The Rapid and 90Min light flicker fleetly	Not reaching required temperature	Malfunction of heating element
The ECO light flicker fleetly	Overflow.	Some elements of dishwasher leaks.
The Rapid, ECO and Universal light flicker fleetly	Failure of communication between main circuit board with display circuit board	Open circuit or break wiring for the communication.

WARNING

If overflow occurs, turn off the main water supply before calling service.

If there is water in the base pan because of an overflow or small leak, the water should be removed before restarting the dishwasher.

If there is an error code that cannot be solved, please request professional assistance.

TROUBLESHOOTING

Before Calling for Service

Reviewing the charts on the following pages may save you from calling for service.

Problem	Possible Causes	What To Do
Dishwasher doesn't start	Fuse blown, or the circuit break tripped.	Replace fuse or reset circuit breaker. Remove any other appliances sharing the same Circuit with the dishwasher.
	Power supply is not turned on.	Make sure the dishwasher is turned on and the door is closed securely. Make sure the power cord is properly plugged into the wall socket
	Water pressure is low	Check that the water supply is connected properly, and the water is turned on.
	Door of dishwasher not properly closed.	Make sure to close the door properly and latch it.
Water not pumped form dishwasher	Twisted or trapped drain hose.	Check the drain hose.
	Filter clogged.	Check the filter system.
	Kitchen sink clogged.	Check the kitchen sink to make sure it is draining well. If the problem is the kitchen sink that is not draining, you may need a plumber rather than a serviceman for dishwashers.
Foam in the tub	Wrong detergent	Use only the special dishwasher detergent to avoid suds. If this occurs, open the dishwasher and let suds evaporate. Add 1 liter of cold water to the bottom of the dishwasher. Close the dishwasher door, then select any cycle. Initially, the dishwasher will drain out the water. Open the door after draining stage is complete and check if the suds have disappeared. Repeat if necessary.
	Spilled rinse aid.	Always wipe up spills immediately.
Stained tub interior	Detergent with colourant may have been used.	Make sure that the detergent has no colourant.
White film on inside surface	Hard water minerals.	To clean the interior, use the damp soft cloth with dishwasher detergent and wear rubber gloves. Never use any other cleaner than dishwasher detergent otherwise, it may cause foaming or suds.
There are rust stains on cutlery	The affected items are not corrosion resistant.	Avoid washing items that are not corrosion resistant in the dishwasher.
	A program was not run after dishwasher salt was added. Traces of salt have gotten into the wash cycle.	Always run a wash program without any crockery after adding salt. Do not select the Turbo function (if present), after adding dishwasher salt.
	The lid of the softer is loose	Check the softener lid is secure.

Problem	Possible Causes	What To Do
Knocking noise in the dishwasher	A spray arm is knocking against an item in a basket	Interrupt the program and rearrange the items which are obstructing the spray arm.
Rattling noise in the dishwasher	Items of crockery are loose in the dishwasher.	Interrupt the program and rearrange the items of crockery.
Knocking noise in the water pipes	This may be caused by on-site installation or the cross-section of the piping.	This has no influence on the dishwasher function. If in doubt, contact a qualified plumber.
The dishes are not clean	The dishes were not loaded correctly.	See "Preparing And Loading Dishes".
	The program was not powerful enough.	Select a more intensive program
	Not enough detergent was dispensed.	Use more detergent or change your detergent.
	Items are blocking the movement of the spray arms.	Rearrange the items so that the spray can rotate freely.
	The filter combination is not clean or is not correctly fitted in the base of wash cabinet. This may cause the spray arm jets to get blocked	Clean and/or fit the filter correctly. Clean the spray arm jets.
Cloudiness on glassware.	Combination of soft water and too much detergent.	Use less detergent if you have soft water and select a shorter cycle to wash the glassware and to get them clean.
White spots appear on dishes and glasses.	Hard water area can cause limescale deposits.	Check water softener settings or fill status of salt container.
Black or grey marks on dishes	Aluminium utensils have rubbed against dishes	Use a mild abrasive cleaner to eliminate those marks.
Detergent left in dispenser	Dishes block detergent dispenser	Re-loading the dishes properly
The dishes aren't drying	Improper loading	Use gloves if detergent residue can be found on dishes to avoid skin irritations.
	Dishes are removed too soon	Do not empty your dishwasher immediately after washing. Open the door slightly so that the steam can come out. Take out the dishes until the inside temperature is safe to touch. Unload the lower basket first to prevent the dropping water from the upper basket.
	Wrong program has been selected.	With a short program, the washing temperature is lower, decreasing cleaning performance. Choose a program with a long washing time.
	Use of cutlery with a low-quality coating.	Water drainage is more difficult with these items. Cutlery or dishes of this type are not suitable for washing in the dishwasher.

Warning

Self-repair or non-professional repair may cause serious risks to the safety of the user of the appliance and impact warranty.

CUSTOMER CARE AND SERVICE

Always use original spare parts.

When contacting our Authorised Service Centre, ensure that you have the following data available: Model and Serial Number.

The information can be found on the rating plate. Subject to change without notice.

TECHNICAL DATA

The technical information is situated in the rating plate on the internal side of the appliance and on the energy label.

The QR code on the energy label supplied with the appliance provides a web link to the information related to the performance of the appliance in the EU EPREL database.

Keep the energy label for reference together with the user manual and all other documents provided with this appliance.

It is also possible to find the same information in EPREL using the link <https://eprel.ec.europa.eu> and the model name and product number that you find on the rating plate of the appliance.

To access information about your product in the EPREL portal, you can scan the codes below:



Thank you for purchasing this product. If you need support with your product, visit our website using the links below.

Get User manuals: <https://www.heinner.ro>

Get Service information: <https://www.heinner.ro>



Environment friendly disposal

You can help protect the environment!

Please remember to respect the local regulations: hand in the non-working electrical equipment's to an appropriate waste disposal center.



HEINNER is a registered trademark of **Network One Distribution SRL**. Other brands and product names are trademarks or registered trademarks of their respective holders.

No part of the specifications may be reproduced in any form or by any means or used to make any derivative such as translation, transformation, or adaptation without permission from NETWORK ONE DISTRIBUTION.

Copyright © 2013 Network One Distribution. All rights reserved.

www.heinner.com, <http://www.nod.ro>



This product is in conformity with norms and standards of European Community



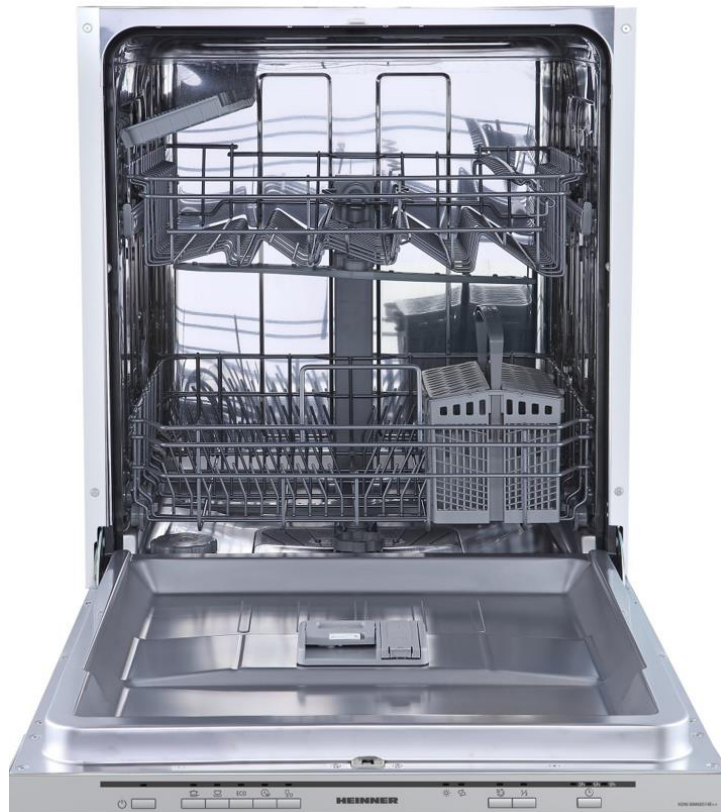
Importer: **Network One Distribution**

Marcel Iancu Street, 3-5, Bucharest, Romania

Tel: +40 21 211 18 56, www.heinner.com , www.nod.ro

MASINA DE SPALAT VASE INCORPORABILA

Model:
HDW-BIM60514E++



- Numar de seturi: 14
- Numar de programe: 5
- Clasa de eficiență energetică: E

HEINNER

1. INTRODUCERE

Vă rugăm să citiți instrucțiunile cu atenție și să păstrați manualul pentru consultări ulterioare. Acest manual are scopul de a vă oferi toate instrucțiunile necesare cu privire la instalarea, utilizarea și întreținerea aparatului. Pentru utilizarea corectă și în siguranță a aparatului, vă rugăm să citiți cu atenție acest manual de instrucțiuni înainte de instalare și utilizare.

2. CONȚINUTUL PACHETULUI DUMNEAVOASTRĂ

- ➔ **Mașină de spălat vase**
- ➔ **Manual de utilizare**
- ➔ **Certificat de garanție**

3. INFORMAȚII PRIVIND SIGURANȚA

GENERALITĂȚI

Atunci când utilizați mașina de spălat vase, respectați măsurile de precauție menționate mai jos:

- Instalarea și lucrările de reparații pot fi efectuate numai de către un tehnician calificat.
- Acest aparat este destinat utilizării în locuințe și alte unități similare:
 - bucătăriile personalului din magazine, birouri și alte medii de lucru.
 - Ferme.
 - de către clienții din hoteluri, moteluri și alte medii de tip rezidențial.
 - medii de tipul pensiune cu mic dejun.
- Aparatul poate fi utilizat de către copii cu vârste începând de la 8 ani și de către persoane cu capacități fizice, senzoriale sau mentale reduse, cu lipsă de experiență sau cunoștințe, numai dacă acestea sunt supravegheate sau instruite în ceea ce privește utilizarea în siguranță a aparatului și dacă înțeleg pericolele pe care le implică utilizarea.
- Copiii nu au voie să se joace cu aparatul. Curățarea și întreținerea nu trebuie efectuate de către copii nesupravegheați.
- Aparatul nu este destinat utilizării de către persoane (inclusiv copii) care au capacități fizice, senzoriale sau mentale reduse, sau cărora le lipsesc experiența și cunoștințele necesare, decât dacă sunt supravegheate sau au fost instruite cu privire la utilizarea aparatului de către o persoană care răspunde pentru siguranța acestora.
- Materialul de ambalare poate fi periculos pentru copii!
- Copiii trebuie supravegheați, astfel încât aceștia să nu se joace cu aparatul.
- Acest produs este destinat numai uzului casnic, în interiorul încăperilor.
- Pentru a vă proteja împotriva pericolului de electrocutare, nu introduceți aparatul, cablul sau ștecărul acestuia în apă sau în alte lichide.
- Vă rugăm să deconectați ștecărul de la sursa de alimentare înainte de efectuarea operațiilor de curățare și întreținere a aparatului. Utilizați o lavetă moale și puțină apă cu detergent, apoi utilizați o cârpă uscată pentru a șterge din nou.
- Pentru evitarea pericolelor, în cazul în care cablul de alimentare este deteriorat, acesta trebuie înlocuit de către un reprezentant de service autorizat sau de către persoane cu o calificare similară.

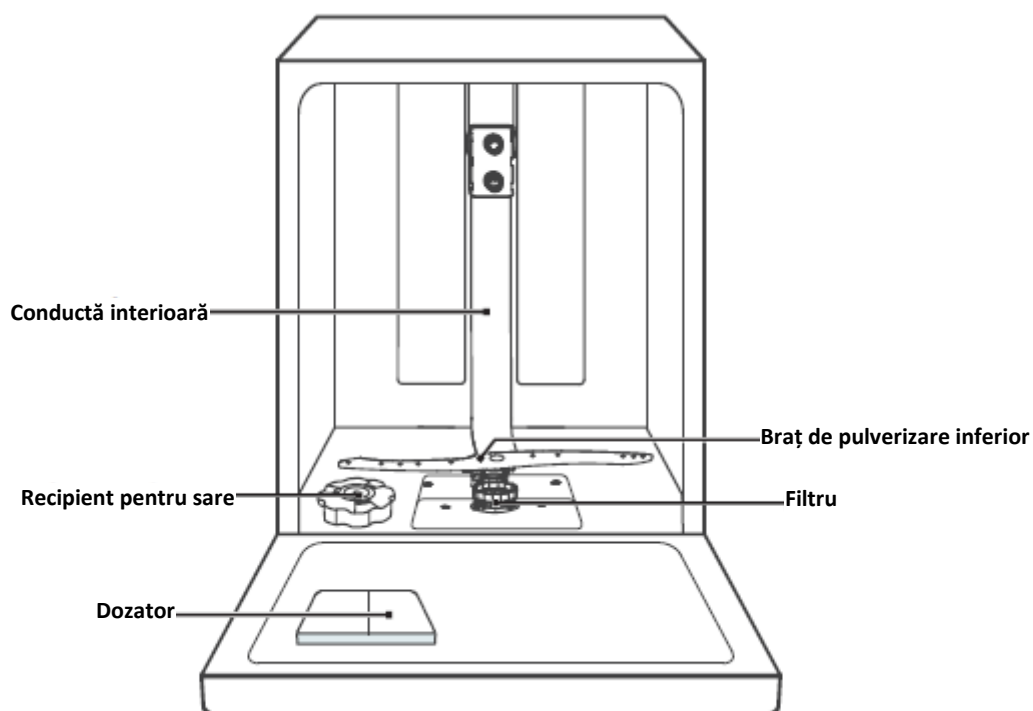
Instrucțiuni privind legarea la pământ

- Acest aparat trebuie să fie împământat. În cazul unei funcționări necorespunzătoare sau al unei defecțiuni, legarea la pământ va reduce riscul de șoc electric prin asigurarea unei căi de minimă rezistență a curentului electric. Acest aparat este echipat cu un ștecăr cu conductor de împământare.
- Ștecărul trebuie să fie conectat la o priză corespunzătoare, instalată și legată la pământ în conformitate cu toate normele și reglementările locale.
- Conectarea necorespunzătoare a conductorului de legare la pământ poate duce la apariția pericolului de șoc electric.
- Consultați un electrician calificat sau un reprezentant de service dacă aveți îndoieli cu privire la împământarea corespunzătoare a aparatului.
- Nu modificați ștecărul furnizat împreună cu aparatul dacă acesta nu se potrivește cu priza.
- Solicitați instalarea unei prize corespunzătoare de către un electrician calificat.
- Nu bruscați mașina de spălat vase și nu vă așezați pe ușa sau pe raftul acesteia.
- Nu folosiți mașina de spălat vase decât dacă toate panourile de protecție sunt poziționate corect.
- Deschideți ușa cu atenție dacă mașina de spălat vase este în funcțiune, deoarece există riscul ca apa să iasă din mașină.
- Nu așezați obiecte grele pe ușă și nu stați pe aceasta când este deschisă. Există riscul ca aparatul să se răstoarne.
- Când introduceți articolele care urmează să fie spălate:
 - 1) Amplasați obiectele ascuțite astfel încât acestea să nu poată deteriora garnitura ușii.
 - 2) Avertisment: Cuțitele și alte ustensile cu vârfuri ascuțite trebuie să fie puse în coș cu vârfurile orientate în jos sau așezate în poziție orizontală.
- Unii detergenți pentru mașina de spălat vase au o alcalinitate ridicată. Aceștia pot fi extrem de periculoși în caz de înghițire. Evitați contactul cu pielea și ochii și nu lăsați copiii să se apropie de mașina de spălat vase când ușa acesteia este deschisă.
- Asigurați-vă că în aparat nu rămân resturi de detergent după finalizarea programului de spălare.
- Nu spălați articole din plastic decât dacă acestea poartă marcajul „lavabil în mașina de spălat vase” sau echivalentul acestuia.
- Pentru articolele din plastic care nu sunt marcate, verificați recomandările producătorului.
- Folosiți numai detergent și agenți de clătire recomandați pentru utilizarea într-o mașină de spălat vase automată.
- Nu utilizați niciodată în mașina de spălat vase săpun, detergent de rufe sau detergent pentru spălarea mâinilor.
- Ușa nu trebuie lăsată deschisă, deoarece acest lucru ar putea crește riscul de împiedicare.
- În timpul instalării, cablul de alimentare nu trebuie să fie forțat sau strivit.
- Nu modificați butoanele de comandă ale aparatului.
- Aparatul trebuie conectat la robinetul principal de apă cu ajutorul unor furtunuri noi. Furtunurile vechi nu trebuie refolosite.
- Pentru a economisi energie, în modul standby, aparatul se va opri automat după 15 minute, fără nicio intervenție din partea utilizatorului.
- Numărul maxim de seturi de vase care pot fi spălate este 14.
- Presiunea maximă admisibilă a apei la admisie este de 1 MPa.
- Presiunea minimă admisibilă a apei la admisie este de 0,04 MPa.

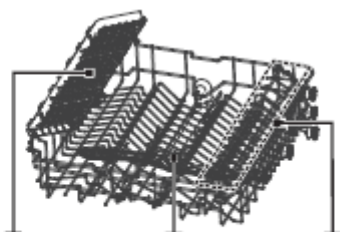
4. DESCRIEREA PRODUSULUI

IMPORTANT!

Pentru a obține performanțe optime de la mașina dumneavoastră de spălat vase, citiți toate instrucțiunile de utilizare înainte de prima utilizare a acesteia.

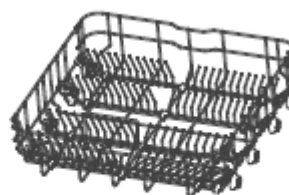


Cos pentru tacâmuri



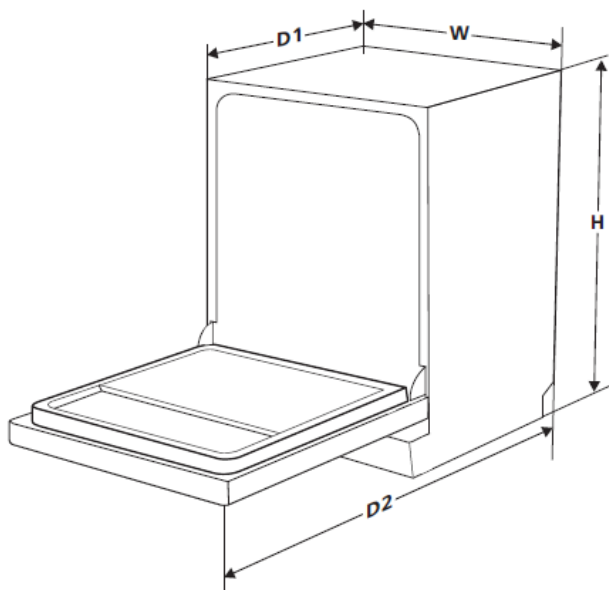
Raft pentru tacamuri Braț de pulverizare superior Raft pentru pahare

Coș superior



Coș inferior

5. DATE TEHNICE



Înălțime (H)	820 mm
Lățime (W)	600 mm
Adâncime (D1)	550 mm (cu ușa închisă)
Adâncime (D2)	1150mm (cu ușa deschisă la 90°)

6. INSTALARE

AVERTISMENT!

Pericol de electrocutare

Deconectați alimentarea cu energie electrică înainte de a instala mașina de spălat vase.

Nerespectarea acestei măsuri poate duce la deces sau la șoc electric.

ATENȚIE

Instalarea conductelor și a echipamentelor electrice trebuie să fie efectuată de către personal specializat.

Informații privind conectarea la rețeaua de alimentare cu energie electrică

AVERTISMENT!

Pentru siguranța persoanelor:

Nu utilizați prelungitoare sau adaptoare de alimentare pentru acest aparat.

Nu tăiați și nu eliminați sub nicio formă pinul de împământare cu care este prevăzut cablul de alimentare.

Cerințe privind alimentarea cu energie electrică

Vă rugăm să consultați eticheta cu date tehnice pentru a afla tensiunea nominală și a conecta mașina de spălat vase la sursa de alimentare corespunzătoare. Folosiți o siguranță corespunzătoare de 10A/13A/16A, o siguranță cu întârziere sau un întrerupător recomandat și asigurați-vă că este disponibil un circuit separat care să alimenteze numai acest aparat.

Conectarea la rețeaua electrică

Asigurați-vă că tensiunea și frecvența de alimentare corespund celor specificate pe plăcuța cu date tehnice. Introduceți ștecărul numai într-o priză electrică prevăzute cu împământare corespunzătoare. În cazul în care priza electrică la care trebuie conectat aparatul nu este potrivită pentru ștecărul cu care este prevăzut aparatul, înlocuiți priza și nu utilizați un adaptor sau alte dispozitive similare, deoarece acestea ar putea duce la supraîncălzirea aparatului și cauza arsuri.

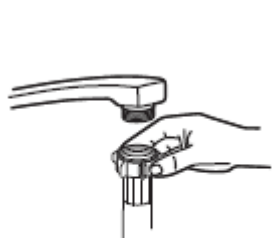
Înainte de utilizarea produsului, asigurați-vă că este disponibilă o împământare adecvată.

Alimentarea cu apă și evacuarea apei

Racordul pentru apă rece

Conectați furtunul de alimentare cu apă rece la un racord filetat de 3/4 (inch) și asigurați-vă că este bine fixat în poziție.

Dacă țevile de apă sunt noi sau nu au fost folosite pentru o perioadă îndelungată, lăsați apa să curgă o perioadă pentru a vă asigura că apa este curată. Această măsură de precauție este necesară pentru a evita riscul ca admisia de apă să fie blocată și să deterioreze aparatul.



furtun de alimentare clasic



furtun de alimentare cu siguranță

Despre furtunul de alimentare cu siguranță

Furtunul de alimentare cu siguranță este prevăzut cu pereți dubli. Sistemul intervine prin blocarea curgerii apei în cazul în care furtunul de alimentare se sparge și atunci când spațiul dintre furtunul de alimentare propriu-zis și furtunul flexibil exterior este plin de apă.

AVERTISMENT!

Un furtun conectat la un robinet se poate sparge dacă este instalat pe aceeași conductă de apă cu mașina de spălat vase. Dacă chiuveta dumneavoastră are această configurație, se recomandă ca furtunul să fie deconectat, iar orificiul să fie astupat.

Conectarea furtunului de alimentare cu siguranță

1. Scoateți furtunurile de alimentare de siguranță din compartimentul de depozitare situat în partea din spate a mașinii de spălat vase.
2. Strângeți șuruburile furtunului de alimentare de siguranță pe robinetul cu filet de 3/4 de inch.
3. Deschideți complet robinetul de apă înainte de a porni mașina de spălat vase.

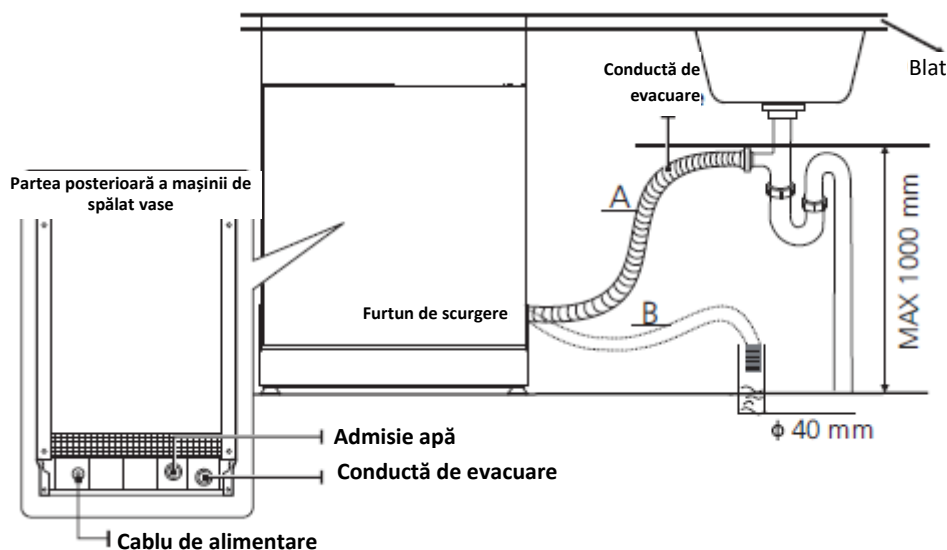
Deconectarea furtunului de alimentare cu siguranță

1. Închideți robinetul de apă.
2. Desfaceți furtunul de alimentare de siguranță de pe robinet.

Conectarea furtunurilor de scurgere

Introduceți furtunul de scurgere într-o conductă de evacuare cu diametrul minim de 4 cm sau lăsați-l să curgă în chiuvetă, având grijă să evitați îndoirea sau plierea acestuia. Înălțimea conductei de evacuare trebuie să fie mai mică de 1000 mm. Capătul liber al furtunului nu trebuie să fie scufundat în apă, pentru a evita refularea.

Vă rugăm să fixați bine furtunul de scurgere fie în poziția A, fie în poziția B



Evacuarea excesului de apă din furtunuri

Dacă racordul la conducta de evacuare este poziționat la o înălțime mai mare de 1000 mm, este posibil să rămână apă în exces în furtunul de scurgere. Va fi necesar să evacuați excesul de apă din furtun într-un bol sau într-un recipient adecvat care să fie ținut în exterior și la o înălțime mai mică decât cea a chiuvetei.

Orificiul de evacuare a apei

Conectați furtunul de evacuare a apei. Furtunul trebuie să fie montat corect, pentru a evita apariția scurgerilor de apă. Asigurați-vă că furtunul de evacuare a apei nu este îndoit sau strivit.

Furtunul de prelungire

Dacă aveți nevoie de o prelungire a furtunului de evacuare, asigurați-vă că utilizați un furtun similar. Acesta nu trebuie să fie mai lung de 4 metri; în caz contrar, efectul de curățare al mașinii de spălat vase ar putea fi redus.

Racordarea sifonului

Racordul de evacuare trebuie să fie la o înălțime mai mică de 1000 mm (maxim) față de partea inferioară a mașinii de spălat vase.

Poziționarea aparatului

Poziționați aparatul în locul dorit. Partea posterioară trebuie să se sprijine pe peretele din spate, iar părțile laterale, de-a lungul dulapurilor sau pereților alăturați. Mașina de spălat vase este echipată cu furtunuri de alimentare cu apă și de evacuare care pot fi poziționate fie în partea dreaptă, fie în partea stângă, pentru a facilita instalarea corespunzătoare.

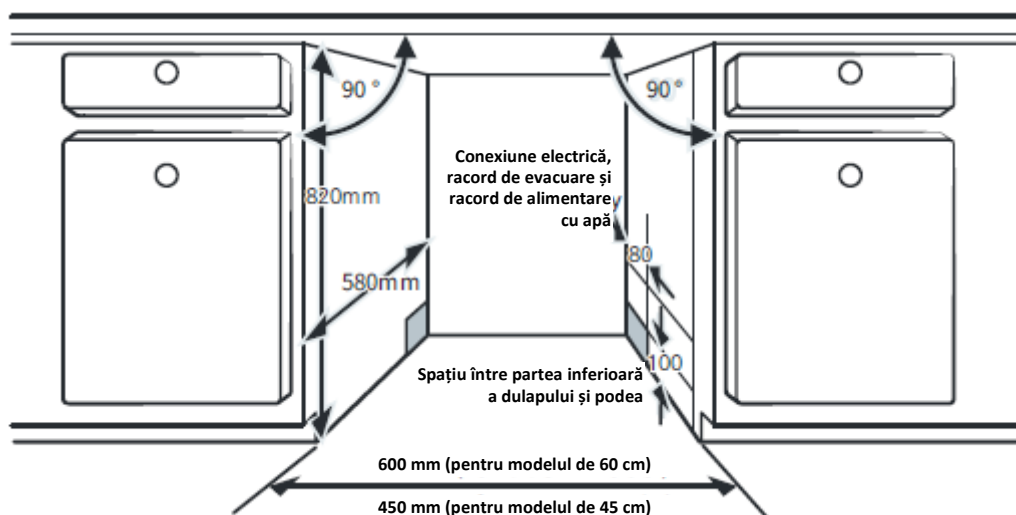
Instalarea

Pasul 1. Alegerea celui mai bun loc pentru mașina de spălat vase

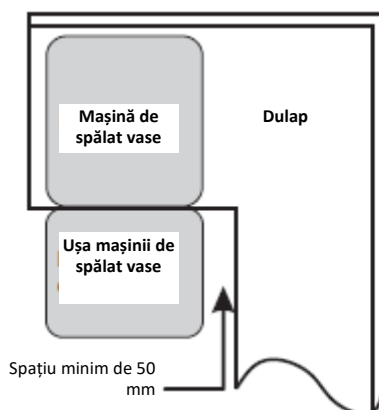
Locul de instalare a mașinii de spălat vase trebuie să fie în apropierea furtunului de admisie, a celui de evacuare și a prizei de curent.

Ilustrații privind dimensiunile dulapului și poziția de instalare a mașinii de spălat vase.

1. Mai puțin de 5 mm între partea superioară a mașinii de spălat vase și dulap și ușa exterioră aliniată la dulap.



2. Dacă mașina de spălat vase este instalată în colțul dulapului, trebuie să existe un anumit spațiu atunci când ușa este deschisă.



OBSERVAȚIE:

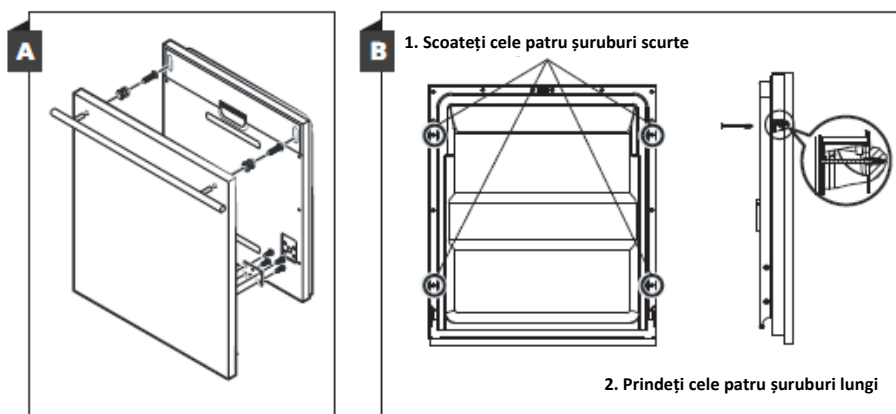
În funcție de locul unde se află priza electrică, este posibil să fie nevoie să decupați un orificiu în partea opusă a dulapului.

Pasul 2. Dimensiunile și instalarea panoului decorativ

Urmați instrucțiunile de instalare specifice pentru fixarea panoului decorativ.

Model complet integrat

Instalați cârligul de pe panoul decorativ și introduceți cârligul în fanta ușii exterioare a mașinii de spălat vase (a se vedea figura A). După poziționarea panoului, fixați panoul pe ușa exterioră cu ajutorul șuruburilor și buloanelor (a se vedea figura B).

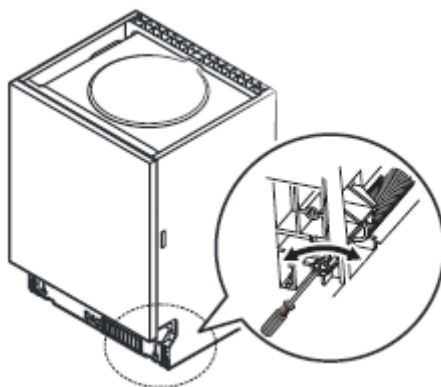


Pasul 3. Reglarea tensiunii arcului ușii

1. Arcurile ușii sunt reglate din fabrică la tensiunea adecvată pentru ușa exterioară. În cazul în care sunt instalate panouri decorative, va trebui să reglați tensiunea arcului ușii.

Rotiți șurubul de reglare pentru a acționa dispozitivul de ajustare în vederea tensionării sau slăbirii cablului de oțel.

2. Tensiunea arcului ușii este corectă atunci când ușa rămâne în poziție orizontală când este complet deschisă, dar se ridică și se închide la o ușoară ridicare cu un deget.



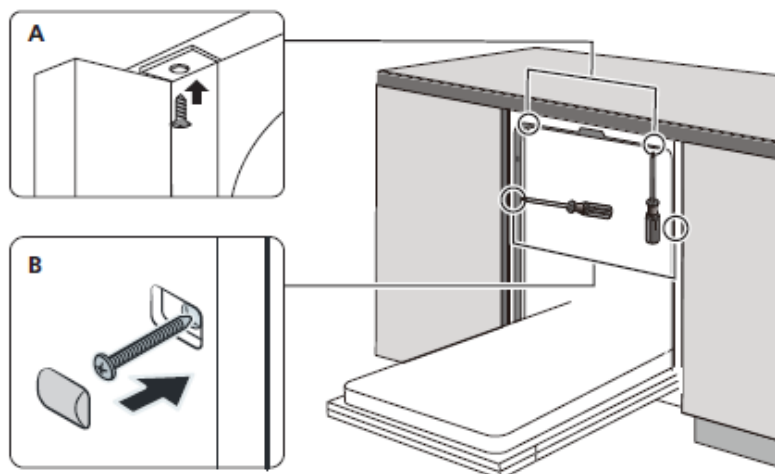
Pasul 4. Etapele de instalare a mașinii de spălat vase

Vă rugăm să consultați pașii specifici de instalare din cadrul schițelor de instalare.

1. Fixați banda anti-condens sub blatul superior al dulapului. Vă rugăm să vă asigurați că banda anti-condens este la același nivel cu marginea blatului superior (pasul 2 în schița de instalare).
2. Conectați furtunul de admisie la sursa de alimentare cu apă rece.
3. Conectați furtunul de evacuare.
4. Conectați cablul de alimentare.
5. Așezați mașina de spălat vase în dulap.
6. Stabilizați mașina de spălat vase. Picioarul din spate poate fi reglat din partea din față a mașinii de spălat vase prin rotirea șurubului cu cap în cruce din mijlocul bazei mașinii de spălat vase cu ajutorul unei șurubelnițe cu cap în cruce. Pentru a regla picioarele din față, utilizați o șurubelniță în linie și rotiți picioarele din față până când mașina de spălat vase este echilibrată (de la pasul 5 la pasul 6 în schița de instalare).
7. Instalați ușa corpului de mobilier pe ușa exterioară a mașinii de spălat vase (de la pasul 7 la pasul 10 în schița de instalare).
8. Reglați tensiunea arcurilor ușii prin rotirea în sensul acelor de ceasornic cu o șurubelniță în cruce, pentru a tensiona arcurile ușii din stânga și din dreapta. Neefectuarea acestei operații poate duce la deteriorarea mașinii de spălat vase (pasul 11 în schița de instalare).
9. Mașina de spălat vase trebuie să fie fixată în poziție. Există două moduri prin care se poate face acest lucru:

A. Blat obișnuit: Introduceți cârligul de instalare în fanta din planul lateral și fixați-l pe blat cu ajutorul șuruburilor.

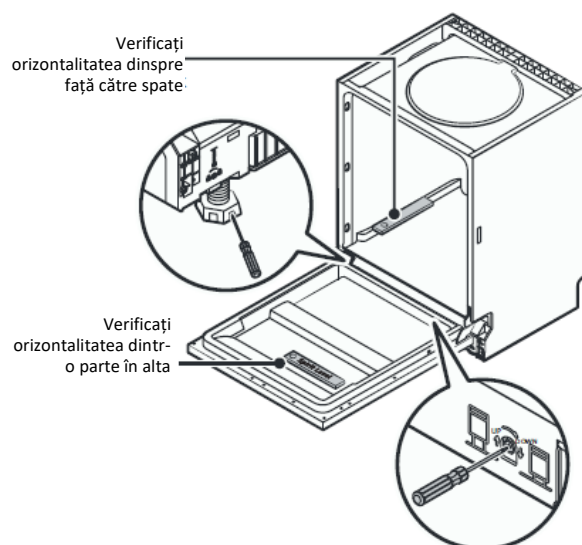
B. Blat din marmură sau granit: Fixați partea laterală cu ajutorul șuruburilor.



Pasul 5. Stabilizarea mașinii de spălat vase

Mașina de spălat vase trebuie să fie stabilă pentru o funcționare corectă a raftului pentru vase și în vederea obținerii unor performanțe optime de spălare.

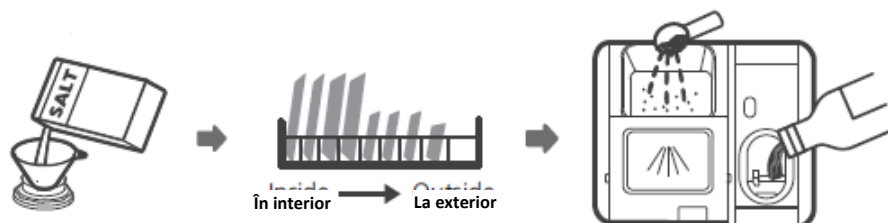
1. Așezați o nivelă cu bulă pe ușă și pe șina raftului din interiorul cuvei, așa cum este indicat, pentru a verifica dacă mașina de spălat vase este orizontală.
2. Stabilizați mașina de spălat vase prin reglarea individuală a celor trei picioare reglabile.
3. Atunci când stabiliți mașina de spălat vase, aveți grijă să nu o lăsați să se răstoarne.



OBSERVAȚIE: Înălțimea maximă de reglare a picioarelor este de 50 mm.

7. UTILIZAREA MAȘINII DE SPĂLAT VASE

Înainte de utilizarea mașinii de spălat vase:



1. Setezi nivelul agentului de dedurizare a apei.
2. Puneți sare de dedurizare în compartimentul special prevăzut în acest sens.
3. Încărcați coșul.
4. Umpleți dozatorul pentru detergent.

Introducerea sării de dedurizare în compartimentul special prevăzut în acest sens

OBSERVAȚIE!

Dacă modelul aparatului dumneavoastră nu este prevăzut cu compartiment pentru sare de dedurizare, puteți omite această secțiune.

- Utilizați întotdeauna sare de dedurizare destinată utilizării în mașina de spălat vase.
- Recipientul pentru sare este situat sub coșul inferior și trebuie umplut conform indicațiilor de mai jos:

AVERTISMENT!

Utilizați numai sare de dedurizare special concepută pentru utilizarea în mașina de spălat vase!

Orice alt tip de sare care nu este special conceput pentru mașina de spălat vase, în special sarea de masă, va deteriora sistemul de dedurizare a apei. În cazul deteriorărilor cauzate de utilizarea de săruri nepotrivite, producătorul nu acordă nicio garanție și nici nu este răspunzător pentru eventualele deteriorări cauzate.

Puneți sare în recipient numai înainte de a porni un program.

Astfel, vă asigurați că granulele de sare sau apa sărată nu rămân pentru mai mult timp în partea inferioară a aparatului, fapt care ar putea duce la coroziune.


Vă rugăm să urmați pașii de mai jos pentru pune sare de dedurizare în mașina de spălat vase:



1. Scoateți coșul inferior și deșurubați capacul rezervorului.
2. Așezați capătul pâlniei (dacă este furnizată) în orificiu și turnați aproximativ 1,5 kg de sare de dedurizare.
3. Umpleți cu apă recipientul pentru sare până la limita maximă. Este normal ca o cantitate mică de apă să iasă din recipientul pentru sare.
4. După umplerea recipientului, înșurubați bine capacul.
5. Indicatorul de avertizare privind lipsa sării se va stinge după umplerea cu sare a recipientului.
6. Imediat după umplerea recipientului cu sare, este necesar să porniți un program de spălare (vă recomandăm utilizarea unui program scurt). În caz contrar, sistemul de filtrare, pompa sau alte

componente importante ale aparatului pot fi deteriorate de apa sărată. Aceste deteriorări nu fac obiectul garanției.

OBSERVAȚIE:

- Recipientul pentru sare trebuie reumplut numai atunci când indicatorul de avertizare privind lipsa sării () se aprinde pe panoul de comandă. În funcție de cât de bine se dizolvă sarea, este posibil ca indicatorul de avertizare privind lipsa sării să rămână aprins chiar dacă recipientul pentru sare este plin. Dacă panoul de comandă (la unele modele) nu este prevăzut cu indicator de avertizare privind lipsa sării, puteți estima momentul în care trebuie să completați cu sare, în funcție de programele de spălare utilizate.
- În cazul în care s-a vărsat sare, porniți un program de înmuiere sau un program de spălare rapidă, pentru a o îndepărta.

Sfaturi privind încărcarea coșurilor

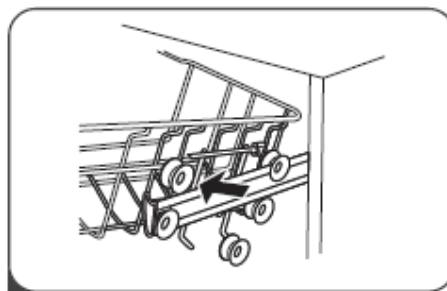
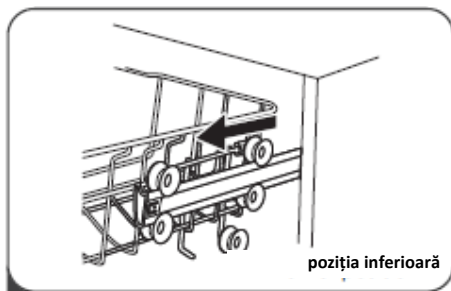
Reglarea coșului superior

Tipul 1:

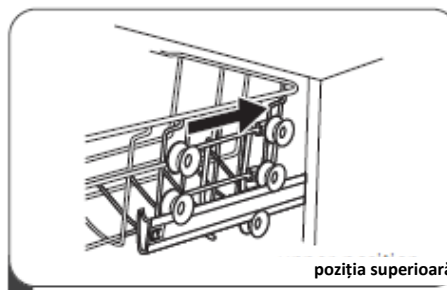
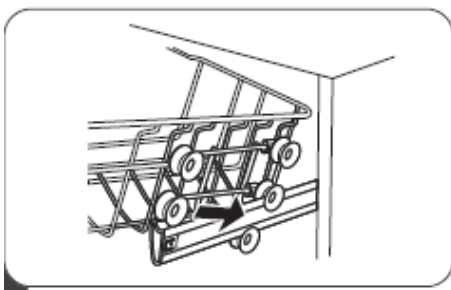
Înălțimea coșului superior poate fi reglată cu ușurință, pentru a permite așezarea vaselor mai înalte fie în coșul superior, fie în cel inferior.

Pentru a regla înălțimea raftului superior, procedați după cum urmează:

1. Trageți în afară coșul superior
2. Scoateți coșului superior



3. Fixați din nou coșul superior pe rolele superioare sau inferioare.
4. Împingeți coșul superior spre interior.



Rabaterea rafturilor pentru pahare

Pentru a face loc pentru articole mai înalte în coșul superior, puteți ridica suportul pentru pahare. Puteți apoi să sprijiniți paharele înalte de acesta.



Plierea tijelor coșului inferior

Tijele din coșul inferior sunt utilizate pentru a susține farfuri și platouri.

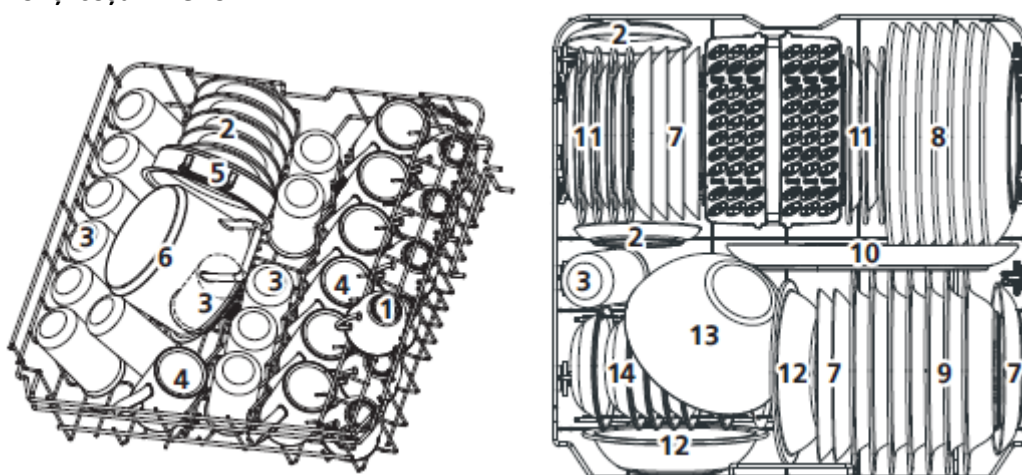
Acestea pot fi coborâte pentru a face mai mult loc pentru obiectele mari.



Încărcarea coșurilor (în conformitate cu standardul EN60436)

Încărcarea mașinii de spălat vase la capacitate maximă va contribui la economisirea energiei și a apei.

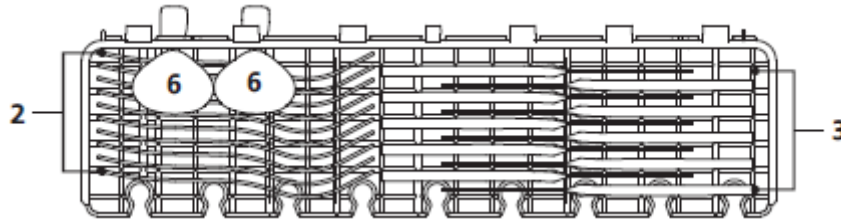
Coșul superior și coșul inferior



Numărul	Articol
1	Cești
2	Farfurii
3	Pahare
4	Căni
5	Oală pentru cuptor
6	Oală mica

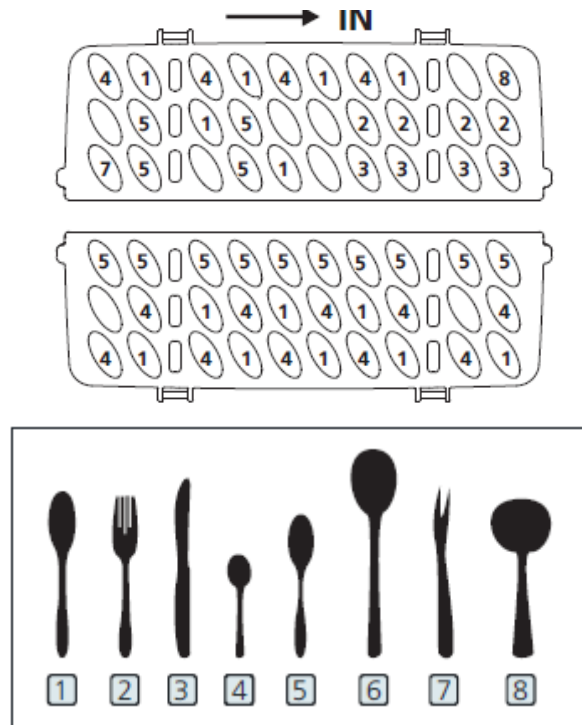
Numărul	Articol
7	Farfurii pentru desert
8	Farfurii pentru cină
9	Farfurii pentru supă
10	Platou oval
11	Farfurii din melamină pentru desert
12	Boluri din melamină
13	Bol din sticlă
14	Boluri pentru desert
15	Coș pentru tacâmuri

Raftul pentru tacâmuri



Note: OBSERVAȚIE! Vă rugăm să așezați obiectele plate ușoare pe raft. Greutatea maximă de încărcare este de 1,5 kg.

Cos pentru tacamuri



Coșul pentru tacâmuri

Număr	Articol
1	Linguri de supă
2	Furculițe
3	Cuțițe
4	Lingurițe
5	Lingurițe pentru desert
6	Linguri pentru servire
7	Furculițe pentru servire
8	Polonic pentru sosuri

Informații pentru testele de comparabilitate în conformitate cu standardul EN60436

Capacitate: 14 seturi de vase

Poziția coșului superior: poziția inferioară

Program: ECO

Setare agent de clătire: Max

Setare agent de dedurizare: H3

Sistemul de dedurizare a apei

Sistemul de dedurizare a apei trebuie setat manual cu ajutorul butonului de reglare a nivelului de duritate a apei.

Sistemul de dedurizare a apei este conceput pentru a elimina din apă mineralele și sărurile care ar avea un efect negativ asupra funcționării aparatului.

Cu cât sunt prezente mai multe minerale, cu atât apa este mai dură.

Sistemul de dedurizare trebuie reglat în funcție de duritatea apei din zona dumneavoastră.

Regia locală de apă vă poate sfătui cu privire la duritatea apei din zona dumneavoastră.

Reglarea consumului de sare

Mașina de spălat vase este proiectată astfel încât să permită ajustarea cantității de sare consumată în funcție de duritatea apei utilizate. Scopul este de a optimiza și personaliza nivelul consumului de sare.

Vă rugăm să urmați pașii de mai jos pentru ajustarea consumului de sare.

5. Deschideți ușa, porniți aparatul.
6. În termen de 60 de secunde de la pornirea aparatului, apăsați și mențineți apăsat butonul Rapid timp de mai mult de 5 secunde, pentru a activa funcția de setare a sistemului de dedurizare a apei.
7. Apăsați pe butonul Rapid pentru a selecta setarea corespunzătoare în funcție de condițiile locale; setarea se va modifica în ordinea de mai jos: H1->H2->H3->H4->H5->H6
8. Apăsați pe butonul de alimentare pentru a dezactiva funcția de setare.

Duritatea apei.				Nivel dedurizator de apă	Regenerarea are loc la fiecare X programe ¹⁾	Consumul de sare (gram/ciclu de spălare)
Duritate germană *dh	Duritate franceză *fh	Duritate britanică *Clarke	Mmol/l			
0-5	0-9	0-6	0-0,94	H1-> se aprinde indicatorul „Rapid”	Fără regenerare	0
6-11	10-20	7-14	1,0-2,0	H2->se aprinde indicatorul „90 min”	10	9
12-17	21-30	15-21	2,1-3,0	H3->se aprind indicatoarele „90 min” și „Rapid”	5	12
18-22	31-40	22-28	3,1-4,0	H4->se aprinde indicatorul „ECO”	3	20
23-34	41-60	29-42	4,1-6,0	H5->se aprind indicatoarele „ECO” și „Rapid”	2	30
35-55	61-98	43-69	6,1-9,8	H6->se aprind indicatoarele „ECO” și „90 min”	1	60

1°dH=1,25°Clarke=1,78 °fH=0,178mmol/l

Setarea din fabrică: H3

¹⁾ Fiecare ciclu de spălare cu regenerare consumă 2,0 litri de apă în plus, consumul de energie crește cu 0,02 kWh, iar programul se prelungeste cu 4 minute.

OBSERVAȚIE!

Dacă modelul aparatului dumneavoastră nu este prevăzut cu compartiment pentru sare de dedurizare, puteți omite această secțiune.

Sistemul de dedurizare a apei

Duritatea apei variază de la un loc la altul. Dacă utilizați apă dură în mașina de spălat vase, se vor forma depuneri pe vase și ustensile.

Aparatul este prevăzut cu un dedurizator special care utilizează un recipient pentru sare special conceput pentru a elimina calcarul și mineralele din apă.

Pregătirea și așezarea vaselor

- Aveți în vedere achiziționarea de ustensile care sunt identificate ca fiind potrivite pentru spălare în mașina de spălat vase.
- Pentru anumite tipuri de articole, selectați programul cu cea mai scăzută temperatură posibilă.
- Pentru a preveni deteriorarea, nu scoateți paharele și tacâmurile din mașina de spălat vase imediat după finalizarea programului.

Spălarea următoarelor tacâmuri/vase în mașina de spălat vase

Nu sunt adecvate:

- Tacâmuri cu mânere din lemn, os sau sidef.
- Articole din plastic care nu sunt rezistente la căldură.
- Tacâmuri mai vechi cu componente lipite care nu sunt rezistente la temperatură.
- Tacâmuri sau vase lipite.
- Articole din cositor sau cupru.
- Sticlă de cristal.
- Articole din oțel expuse la rugină.
- Platouri din lemn.
- Articole fabricate din fibre sintetice.

Au un grad de adecvare limitat:

- Unele tipuri de pahare pot deveni mate după un număr mare de spălări;
- Componentele din argint și aluminiu au tendința de a se decolora în timpul spălării;
- Ornamentele smălțuite se pot decolora dacă sunt spălate frecvent în mașina de spălat vase.

Recomandări privind încărcarea mașinii de spălat vase

Îndepărtați de pe vase cantitățile mari de resturi alimentare. Înmuiați resturile de mâncare arsă din tigăi. Nu este necesar să clătiți vasele sub jet de apă.

Pentru o funcționare optimă a mașinii de spălat vase, urmați aceste sfaturi privind încărcarea. (Caracteristicile și aspectul coșurilor și al coșurilor pentru tacâmuri pot varia față de modelul dumneavoastră.)

Așezați obiectele în mașina de spălat vase după cum urmează:

- Obiecte precum cămile, paharele, oalele, tigăile etc. trebuie să fie orientate cu gura în jos.
- Obiectele curbate sau cele cu adâncituri trebuie așezate în mașină înclinată, astfel încât apa să se poată scurge.
- Toate ustensilele sunt poziționate în siguranță și nu se pot răsturna.
- Toate ustensilele trebuie așezate în siguranță, astfel încât să nu se răstoarne.
- Încărcați obiectele cum ar fi cămile, paharele, tigăile etc. cu gura orientată în jos, astfel încât apa să nu se poată aduna în recipient.
- Farfuriile și tacâmurile nu trebuie să fie așezate unele în altele sau acoperite unele de celelalte.
- Pentru a evita deteriorarea, paharele nu trebuie să se atingă între ele.
- Coșul superior este destinat vaselor delicate și mai ușoare, cum ar fi paharele, ceștile de cafea și de ceai.

- Cuțitele cu lame lungi depozitate în poziție verticală constituie un pericol potențial!
- Tacâmurile lungi și ascuțite, cum ar fi cuțitele de sculptat în lemn, trebuie să fie poziționate orizontal în coșul superior.
- Vă rugăm să nu supraîncărcați mașina de spălat vase. Acest lucru este important pentru rezultate bune și pentru un consum rezonabil de energie.

OBSERVAȚIE:

Articolele foarte mici nu trebuie spălate în mașina de spălat vase, deoarece acestea ar putea cădea cu ușurință din coș.

Scoaterea vaselor

Pentru a preveni scurgerea apei din coșul superior în coșul inferior, vă recomandăm să goliți mai întâi coșul inferior, apoi coșul superior.

AVERTISMENT!

Articolele vor fi fierbinți! Pentru a preveni deteriorarea, nu scoateți paharele și tacâmurile din mașina de spălat vase decât după aproximativ 15 minute de la încheierea programului.

Încărcarea coșului superior

Coșul superior este destinat veselei mai delicate și mai ușoare, cum ar fi paharele, ceștile și farfuriile pentru cafea și ceai, precum și farfuriile, bolurile mici și tigăile puțin adânci cu condiția ca acestea să nu fie prea murdare). Poziționați vasele și ustensilele de gătit astfel încât acestea să nu poată fi deplasate de jetul de apă.



Încărcarea coșului inferior

Vă recomandăm să puneți în coșul inferior obiectele mari și greu de curățat, cum ar fi oalele, tigăile, capacele, platourile și bolurile, așa cum se arată în figura de mai jos. Se recomandă să așezați platourile și capacele pe partea laterală a rafturilor, pentru a evita blocarea brațului de pulverizare superior. Diametrul maxim recomandat pentru farfuriile din fața dozatorului de detergent este de 19 cm, pentru a nu împiedica deschiderea acestuia.



Încărcarea raftului pentru tacâmuri

Tacâmurile trebuie așezate în raftul de tacâmuri separate unele de altele, în pozițiile corespunzătoare. Evitați aglomerarea tacâmurilor, pentru a preveni reducerea eficienței curățării.

AVERTISMENT



Nu lăsați niciun obiect să iasă prin partea de jos.
Puneți întotdeauna ustensilele ascuțite cu vârful ascuțit în jos!

Pentru a obține o spălare optimă a vaselor, vă rugăm să încărcați coșurile consultând opțiunile de încărcare standard de la capitolul 7.

Rolul agentului de clătire și al detergentului


Agentul de clătire este eliberat în timpul clătirii finale, pentru a preveni formarea de picături de apă care pot lăsa pete și dungi pe vasele dumneavoastră. De asemenea, acesta îmbunătățește uscarea, permițând apei să se scurgă de pe vase. Mașina dumneavoastră de spălat vase este concepută pentru utilizarea agenților de clătire lichizi.

Utilizați numai produse de clătire de marcă concepute pentru mașinile de spălat vase. Nu umpleți niciodată dozatorul de agent de clătire cu alte substanțe (de exemplu, agent de curățare pentru mașina de spălat vase, detergent lichid).

Acest lucru poate duce la deteriorarea aparatului.

Intervalele de reumplere a dozatorului pentru agent de clătire

Regularitatea cu care trebuie reumplut dozatorul depinde de frecvența cu care se spală vasele și de setarea de clătire folosită.

Indicatorul de avertizare privind lipsa agentului de clătire () se va aprinde atunci când este nevoie de mai mult lichid de clătire.

Nu umpleți excesiv dozatorul de agent de clătire.

Rolul detergentului

Ingredientele chimice care intră în componența detergentului sunt necesare pentru a îndepărta, sfărâma și disloca toată murdăria din mașina de spălat vase. Majoritatea detergentilor de calitate din comerț sunt potriviți în acest scop.

AVERTISMENT!

Utilizarea corectă a detergentului

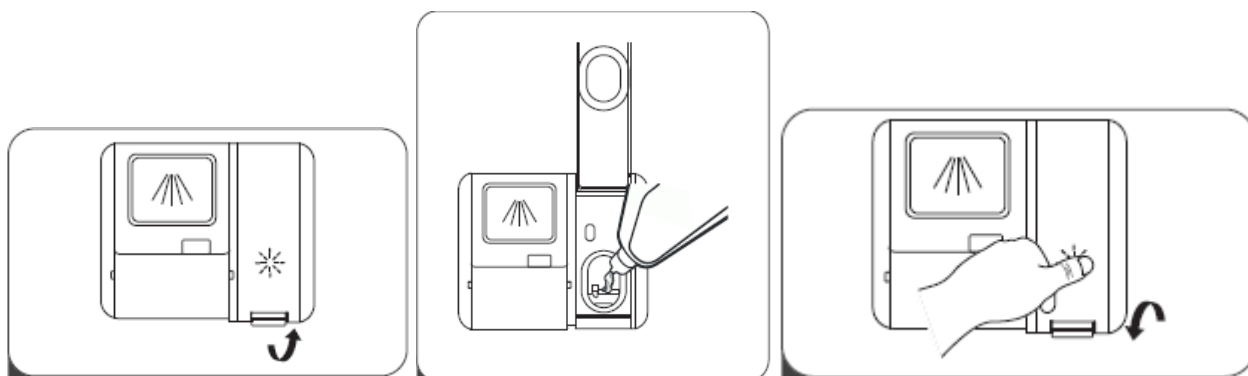
Folosiți numai detergent special conceput pentru mașini de spălat vase. Păstrați detergentul proaspăt și uscat.

Nu puneți detergentul în dozator înainte de a fi gata să porniți mașina de spălat vase.

Detergentul pentru mașina de spălat vase este coroziv! Nu lăsați la îndemâna copiilor detergentul pentru mașina de spălat vase.

Umplerea rezervorului pentru agent de clătire.

1. Scoateți capacul rezervorului de clătire, ridicând mânerul.
2. Turnați lichidul de clătire în dozator, având grijă să nu îl umpleți excesiv.
3. La final, închideți capacul.



Reglarea rezervorului pentru agent de clătire.

Pentru a obține o eficiență mai ridicată a uscării cu o cantitate mai mică de agent de clătire, mașina de spălat vase este proiectată astfel încât consumul de agent de clătire să poată fi stabilit de către utilizator. Urmați pașii de mai jos.

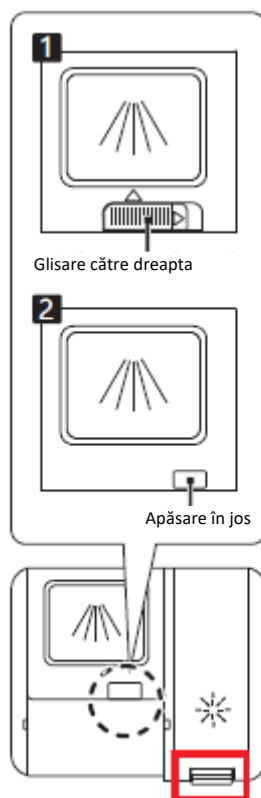
1. Deschideți ușa și porniți aparatul.
2. În termen de 60 de secunde de la pasul 1, apăsați și mențineți apăsat butonul Rapid mai mult de 5 secunde, apoi apăsați pe butonul Delay (Temporizare) pentru a selecta setarea, iar indicatorul pentru agent de clătire va clipi.
3. Apăsați pe butonul Rapid pentru a selecta setarea potrivită în funcție de obiceiurile dumneavoastră de utilizare, iar setările se vor schimba în ordinea de mai jos: D1->D2->D3->D4->D5->D1.
Cu cât numărul este mai mare, cu atât mașina de spălat vase folosește mai mult agent de clătire.
4. Nu apăsați pe niciun buton timp de 5 secunde sau apăsați pe butonul de alimentare pentru a finaliza configurarea și a ieși din modul de configurare.

Nivelul agentului de clătire	Poziția selectorului
D1	Se aprinde indicatorul „Rapid”
D2	se aprinde indicatorul „90 min”
D3	se aprind indicatoarele „90 min” și „Rapid”
D4	se aprinde indicatorul „ECO”
D5	se aprind indicatoarele „ECO” și „Rapid”

Umplerea dozatorului pentru detergent

Vă rugăm să alegeți o modalitate de deschidere în funcție de modelul de dozator prezent la produsul Dvs.

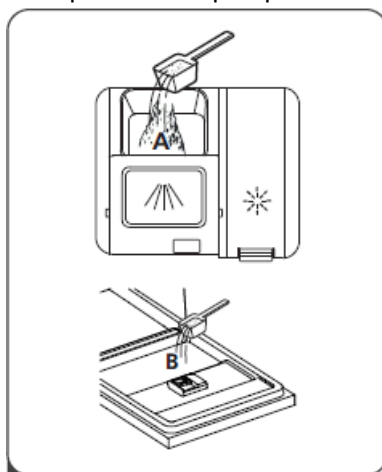
- A. Deschideți capacul prin glisarea închizătorii.
- B. Deschideți capacul prin apăsarea în jos a închizătorii.



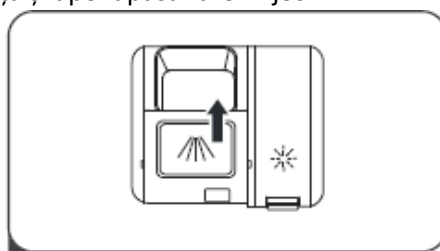
Adăugați detergent în compartimentul mai mare (A) pentru ciclul principal de spălare.

Pentru un rezultat mai bun al procesului de curățare, în special dacă obiectele sunt foarte murdare, turnați o cantitate mică de detergent pe ușă.

Detergentul suplimentar se va activa în timpul fazei de prespălare.



Închideți clapeta glisând-o către față și apoi apăsând-o în jos.



OBSERVAȚIE:

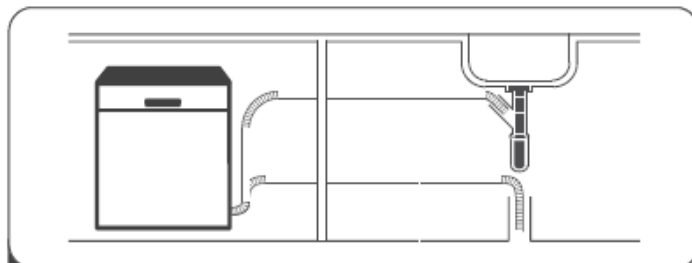
Vă rugăm să țineți cont de faptul că, în funcție de gradul de murdărire a apei, setarea poate fi diferită.

Vă rugăm să respectați recomandările producătorului de pe ambalajul detergentului.

8. GHID RAPID DE UTILIZARE

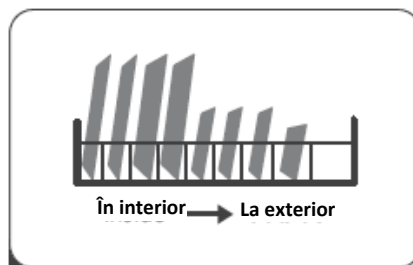
Vă rugăm să citiți conținutul adecvat al manualului de instrucțiuni pentru o metodă de utilizare detaliată.

1. Instalați mașina de spălat vase



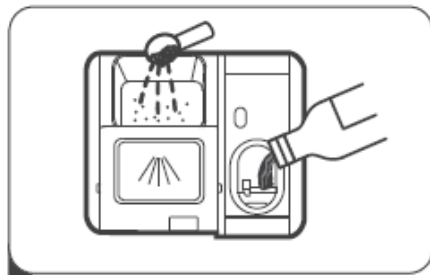
2. Îndepărtați reziduurile mai mari de pe vase. Evitați clătirea prealabilă.

3. Încărcați coșurile.

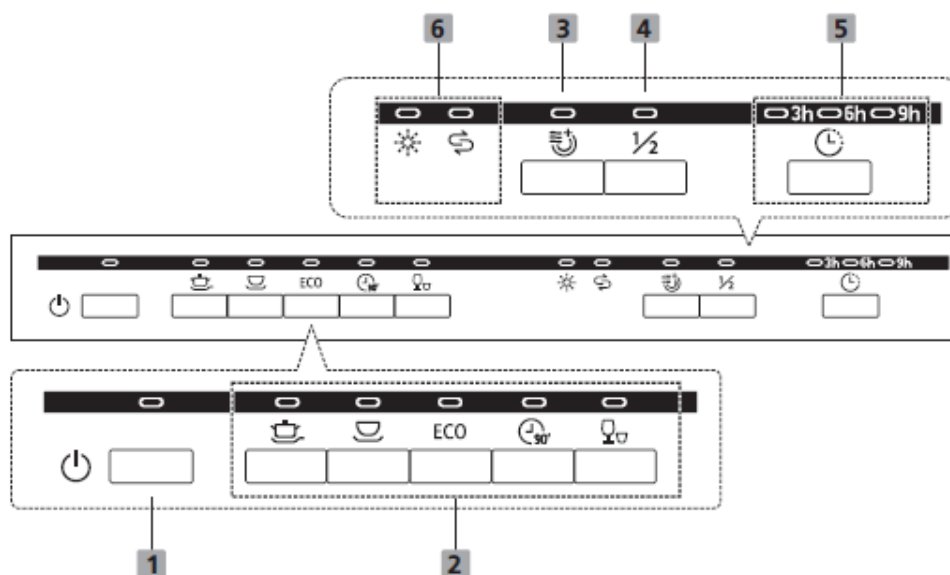








4. Umpleți dozatorul cu detergent și agent de clătire.



5. Selectați un program potrivit și porniți mașina de spălat vase.



9. PANOUL DE COMANDĂ







1. Alimentare	Apăsați pe acest buton pentru a porni mașina de spălat vase.
2. Program	<p> Intensiv Pentru vesela cea mai murdară și pentru vasele, tigăile, cratițele, farfuriile etc. pe care s-a uscat mâncare.</p> <p> Universal Pentru vase cu un grad normal de murdărire, cum ar fi oale, farfuriile, pahare și tigăi nu foarte murdare.</p> <p>ECO ECO Acesta este un program standard; este potrivit pentru curățarea vasei cu un grad normal de murdărire și este cel mai eficient program din punctul de vedere al consumului combinat de energie și apă pentru acest tip de veselă.</p> <p> 90 min Pentru vasele cu un grad normal de murdărire, care necesită o spălare rapidă.</p> <p> Rapid Un program de spălare mai scurt, pentru vasele nu foarte murdare care nu necesită uscare.</p>
3. Uscare suplimentară	Pentru un rezultat mai bun al uscării. (Poate fi folosit numai cu programele Intensiv, Universal, ECO și 90 min.)
4. Încărcătură pe jumătate	Atunci când aveți de spălat aproximativ jumătate sau mai puțin din setul de vase, puteți alege această funcție, pentru a economisi energie și apă. (Poate fi folosit numai cu programele Intensiv, Universal, ECO, Sticlă și 90 min.)
5. Temporizare	Apăsați pe acest buton pentru a seta durata de temporizare (3h/6h/9h).
Afișajul	
6. Indicator de avertizare	<p> Agent de clătire</p> <p>Dacă indicatorul „” este aprins, înseamnă că agentul de clătire din mașina de spălat este insuficient.</p>

 Sare Dacă indicatorul „  ” este aprins, înseamnă că sarea de dedurizare din mașina de spălat este insuficientă.
--

10. TABEL DE PROGRAME

Tabelul de mai jos arată care sunt cele mai eficiente programe în funcție de nivelul de resturi alimentare de pe vase și de cantitatea de detergent necesară. De asemenea, prezintă diverse informații despre programe. Valorile privind durata programului și consumul de detergent sunt doar orientative, excepție făcând programul ECO.

- indică faptul că programul utilizează agent de clătire la ultima clătire.

Program	Descrierea ciclului de funcționare	Detergent prespălare/spălare principală	Durată de funcționare (min)	Energie (kWh)	Apă (L)	Agent de clătire
 Intensive	Prespălare (50°C) Spălare (65°C) Clătire Clătire Clătire (65°C) Uscare	<u>4/18 g</u> (1 or 2 capsule detergent)	205	1.621	17.8	●
 Universal	Prespălare (45°C) Spălare (55°C) Clătire Clătire (65°C) Uscare	<u>4/18 g</u> (1 or 2 capsule detergent)	175	1.302	14.3	●
ECO (*EN 60436)	Spălare (45°C) Clătire Clătire (60°C) Uscare	<u>4/18 g</u> (1 or 2 capsule detergent)	220	0.951	11.0	●
 90 min	Spălare (60°C) Clătire Clătire (65°C) Uscare	<u>22g</u> 1 capsulă detergent	90	1.350	11.7	●
 Rapid	Spălare (50°C) Clătire Clătire (55°C)	20 g	30	0.751	11.2	○

OBSERVAȚIE: Programul ECO este potrivit pentru curățarea veselei cu grad normal de murdărire, fiind, pentru această utilizare, cel mai eficient program din punctul de vedere al consumului combinat de energie și apă și fiind utilizat pentru a evalua conformitatea cu legislația UE privind proiectarea ecologică.

Sfaturi pentru economisirea energiei

1. Clătirea prealabilă a veselei duce la creșterea consumului de apă și energie și nu este recomandată.
2. Spălarea veselei într-o mașină de spălat vase de uz casnic consumă, de obicei, mai puțină energie și apă în faza de utilizare decât spălarea manuală a vaselor, atunci când mașina de spălat vase de uz casnic este utilizată în conformitate cu instrucțiunile.

Pornirea unui program

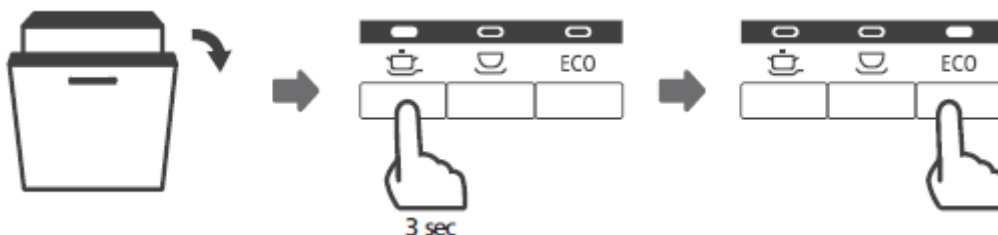
1. Trageți coșul inferior și coșul superior, puneți vasele în acestea și împingeți-le înapoi. Se recomandă să încărcați mai întâi coșul inferior, apoi pe cel superior.
 2. Turnați detergentul.
 3. Introduceți ștecărul în priză. Pentru informații privind sursa de alimentare, consultați fișa tehnică a produsului.
- Asigurați-vă că alimentarea cu apă este pornită la presiune maximă.
4. Închideți ușa, apoi apăsați pe butonul de alimentare.
 5. Alegeți un program, iar indicatorul aferent se va aprinde. Apoi apăsați butonul Start/Pauză, iar mașina de spălat vase va începe ciclul de funcționare.

Schimbarea programului în timpul ciclului de funcționare

Un program poate fi schimbat numai dacă a fost în funcțiune pentru o perioadă scurtă, fiind altfel posibil ca detergentul să fi fost deja eliberat sau ca apa de spălare cu detergent să fi fost deja evacuată. În acest caz, mașina de spălat vase trebuie resetată, iar dozatorul de detergent trebuie reumplut.

Pentru a reseta mașina de spălat vase, urmați instrucțiunile de mai jos:

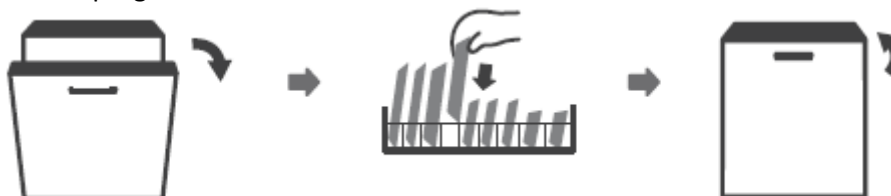
1. Deschideți puțin ușa, pentru a opri mașina de spălat vase; după ce brațul de pulverizare se oprește, puteți deschide ușa complet.
2. Apăsați și mențineți apăsat unul dintre butoanele pentru programe mai mult de trei secunde, iar aparatul va activa modul de selectare a programului.
3. Puteți schimba programul în funcție de necesități.



Ați uitat să puneți o farfurie?

O farfurie uitată poate fi adăugată în orice moment înainte de deschiderea dozatorului de detergent. În acest caz, urmați instrucțiunile de mai jos:

1. Deschideți puțin ușa pentru a opri spălarea.
2. După oprirea brațelor de pulverizare, puteți deschide complet ușa.
3. Adăugați vasele uitate.
4. Închideți ușa.
5. Mașina își va continua programul.



AVERTISMENT!

Este periculos să deschideți ușa timpul ciclului de funcționare, deoarece aburul fierbinte vă poate opări.

11. CURĂȚARE ȘI ÎNTREȚINERE

Îngrijirea exteriorului

Ușa și garnitura ușii

Curățați cu regularitate garniturile ușii cu o lavetă moale și umedă, pentru a îndepărta depunerile de alimente.

În timpul încărcării mașinii de spălat vase, reziduurile de alimente și băuturi se pot scurge pe părțile laterale ale ușii mașinii de spălat vase. Aceste suprafețe se află în afara compartimentului de spălare, iar apa din brațele de pulverizare nu ajunge la acestea. Eventualele depuneri trebuie șterse înainte de închiderea ușii.

Panoul de comandă

Dacă este necesar, panoul de comandă trebuie șters numai cu o lavetă moale și umedă.

Avertisment:

- Pentru a evita pătrunderea apei în încuietoarea ușii și în componentele electrice, nu folosiți niciun fel de dispozitiv de curățare cu pulverizator.
- Nu utilizați în niciun caz substanțe de curățare abrazive sau bureți de sârmă pe suprafețele exterioare, deoarece acestea pot zgâria finisajul. Unele prosoape de hârtie ar putea, de asemenea, să zgârie suprafețele sau să lase urme pe acestea.

Îngrijirea interiorului

Sistemul de filtrare

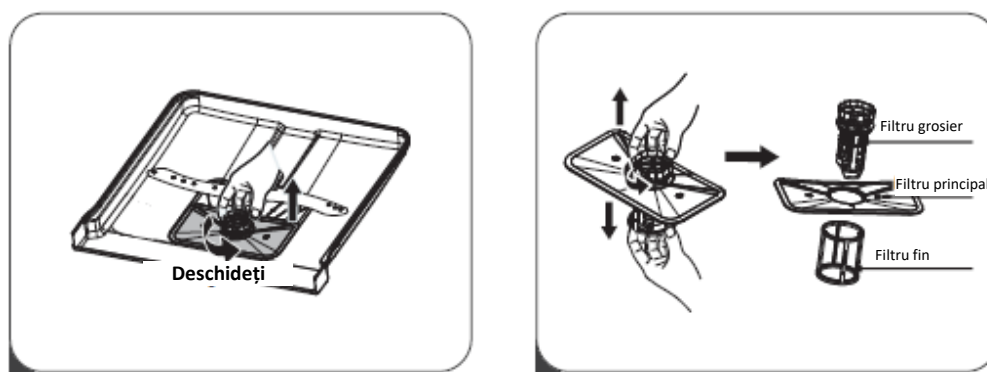
Sistemul de filtrare de la baza compartimentului de spălare reține resturile grosiere din ciclul de spălare, inclusiv obiectele străine, cum ar fi scobitorile sau cioburile. Resturile grosiere colectate pot cauza înfundarea filtrelor. Verificați în mod regulat starea filtrelor, îndepărtați cu atenție obiectele străine și, dacă este necesar, curățați cu apă componentele sistemului de filtrare. Urmați pașii de mai jos pentru a curăța filtrul.

OBSERVAȚIE:

Imaginile au doar scop informativ; în funcție de model, sistemele de filtrare și brațele de pulverizare pot fi diferite.

Pasul 1: Țineți de filtrul grosier și rotiți-l în sens contrar acelor de ceasornic pentru a-l debloca. Ridicați filtrul pe verticală și scoateți-l din mașina de spălat vase.

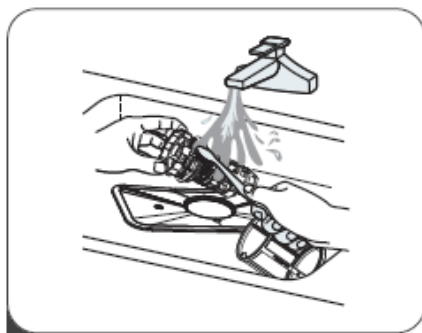
Pasul 2: Filtrul fin poate fi scos din partea de jos a ansamblului de filtrare. Filtrul grosier poate fi detașat de filtrul principal prin strângerea ușoară a elementelor de prindere din partea superioară și prin tragerea acestuia.



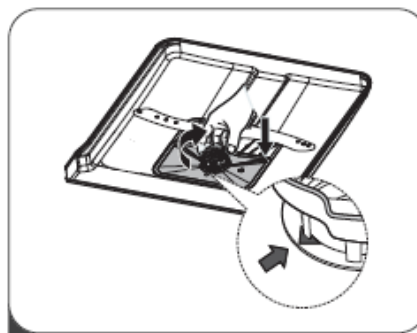
Pasul 1

Pasul 3: Resturile mai mari de alimente pot fi îndepărtate prin clătirea filtrului sub jet de apă. Pentru o curățare mai temeinică, folosiți o perie de curățare moale.

Pasul 4: Reasamblați filtrele în ordinea inversă a dezamblării, înlocuiți elementul filtrant și rotiți în sensul acelor de ceasornic până la săgeata care indică închiderea.



Pasul 3



Pasul 4

Avertisment:

Nu strângeți excesiv filtrele. Puneți filtrele la loc în ordinea corespunzătoare. În caz contrar, resturile grosiere ar putea pătrunde în sistem și provoca un blocaj.

Nu utilizați în niciun caz mașina de spălat vase în cazul în care filtrele acestuia nu sunt montate. Înlocuirea necorespunzătoare a filtrului poate reduce nivelul de performanță a aparatului și poate deteriora vasele și ustensilele.

Brațele de pulverizare

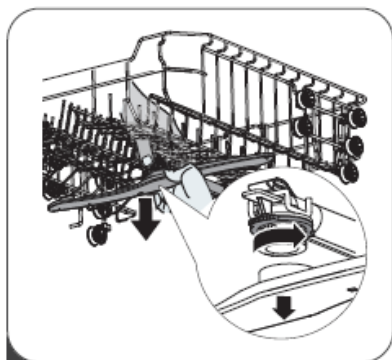
Este necesar să curățați brațele de pulverizare în mod regulat, deoarece substanțele chimice din apa dură pot bloca orificiile și rulmenții brațelor de pulverizare.

Pentru a curăța brațele de pulverizare, urmați instrucțiunile de mai jos:

Pasul 1: Pentru a scoate brațul de pulverizare superior, țineți piulița din centru nemișcată și rotiți brațul de pulverizare în sens contrar acelor de ceasornic.

Pasul 2: Pentru a scoate brațul de pulverizare inferior, trageți în sus de brațul de pulverizare.

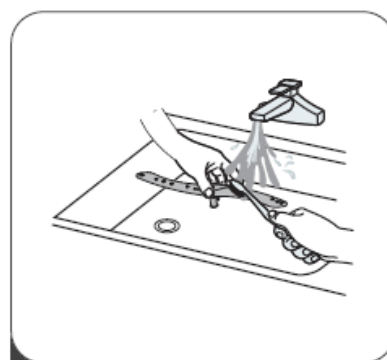
Pasul 3: Spălați brațele în apă caldă cu detergent și folosiți o perie moale pentru a curăța orificiile de pulverizare.



Pasul 1



Pasul 2



Pasul 3

Îngrijirea mașinii de spălat vase

Măsuri de protecție în caz de îngheț

Pe timp de iarnă, este necesar să luați măsuri de protecție împotriva înghețului pentru mașina de spălat vase. După fiecare ciclu de spălare, vă rugăm să procedați după cum urmează:

1. Întrerupeți alimentarea cu energie electrică a mașinii de spălat vase de la sursa de alimentare.
2. Opriți alimentarea cu apă și deconectați furtunul de alimentare cu apă de la robinetul de apă.
3. Scurgeți apa din furtunul de admisie și din supapă. (Utilizați un vas pentru a aduna apa)
4. Reconectați furtunul de alimentare cu apă la supapă.
5. Îndepărtați filtrul din partea de jos a compartimentului de spălare și folosiți un burete pentru a absorbi apa.

După fiecare spălare

După fiecare spălare, opriți alimentarea cu apă a aparatului și lăsați ușa întredeschisă pentru un timp, astfel încât umezeala și mirosurile să nu fie reținute în interior.

Scoateți ștecărul din priză

Înainte de efectuarea operațiilor de curățare sau întreținere, scoateți întotdeauna ștecărul din priză.

Nu utilizați solvenți sau substanțe de curățare abrazive

Pentru a curăța componentele exterioare și din cauciuc ale mașinii de spălat vase, nu utilizați solvenți sau produse de curățare abrazive. Utilizați numai o lavetă și apă caldă cu detergent.

Pentru a îndepărta petele de pe suprafața interioară, utilizați o lavetă umezită cu apă și puțin oțet sau un produs de curățare special conceput pentru mașinile de spălat vase.

În caz de neutilizare pentru o perioadă îndelungată

Vă recomandăm să lăsați mașina să efectueze un ciclu de spălare fără vase, apoi să scoateți ștecărul din priză, să opriți alimentarea cu apă și să lăsați întredeschisă ușa aparatului. Astfel, veți prelungi durata de exploatare a garniturilor de etanșare ale ușii, fiind împiedicată formarea de mirosuri în interiorul aparatului.

Deplasarea aparatului

Dacă este necesar să deplasați aparatul, încercați să îl mențineți în poziție verticală. Dacă este cazul, acesta poate fi poziționat pe spate.

Garniturile de etanșare

Unul dintre factorii care cauzează formarea mirosurilor în mașina de spălat vase este reprezentat de alimentele care rămân prinse în garnituri. Curățarea regulată cu un burete umed va împiedica apariția acestui fenomen.

12. DEPANARE

Coduri de eroare	Semnificații	Cauze posibile
Indicatorul „Rapid” clipește	Durată de admisie mai mare.	Robinetul nu este deschis, admisia de apă este îngreunată sau presiunea apei este prea mică.
Indicatoarele „Rapid” și „90Min” clipeșc	Nu se atinge temperatura necesară	Defecțiune a elementului de încălzire
Indicatorul „ECO” clipește	Scurgeri de apă.	Unele elemente ale mașinii de spălat vase prezintă scurgeri.
Indicatoarele „Rapid”, „ECO” și „Universal” clipeșc	Eroare de comunicare între placa de circuite principală și placa de circuite pentru afișaj	Circuit deschis sau întrerupere a cablajului de comunicare.

AVERTISMENT

Dacă se produce o scurgere, opriți alimentarea principală cu apă înainte de a apela la un serviciu de asistență tehnică.

Dacă există apă în compartimentul de spălare din cauza unei umpleri excesive sau a unei mici scurgeri, apa trebuie eliminată înainte de a reporni mașina de spălat vase.

În cazul în care aparatul afișează un cod de eroare care nu poate fi eliminat, vă rugăm să solicitați asistență tehnică de specialitate.

DEPANARE

Înainte de a apela la asistență tehnică

Trecerea în revistă a tabelelor de pe paginile următoare vă poate scuti de apelarea la asistență tehnică.

Avertisment! Nu încercați să reparați aparatul pe cont propriu. Dacă problema persistă după ce ați efectuat verificările menționate mai jos, contactați un service autorizat.

Problemă	Cauze posibile	Soluții
Mașina de spălat vase nu pornește	S-a ars siguranța sau s-a declanșat disjunctorul.	Înlocuiți siguranța sau reșetați disjunctorul. Îndepărtați orice alte aparate care sunt alimentate de la același circuit ca și mașina de spălat vase.
	Sursa de alimentare nu este pornită.	Asigurați-vă că mașina de spălat vase este pornită și că ușa este bine închisă. Asigurați-vă că ștecărul cablului de alimentare este conectat corespunzător la priza de perete.
	Presiunea apei este scăzută	Verificați dacă alimentarea cu apă este conectată corect și dacă apa este pornită.
	Ușa mașinii de spălat vase nu este închisă corespunzător.	Asigurați-vă că închideți ușa în mod corespunzător și că o blocați.
Apa nu este pompată din mașina de spălat vase	Furtunul de scurgere este răsucit sau blocat.	Verificați furtunul de scurgere.
	Filtrul este înfundat.	Verificați sistemul de filtrare.
	Scurgerea chiuvetei este înfundată.	Verificați chiuveta, pentru a vă asigura că scurgerea acesteia este în stare bună. Dacă problema este chiuveta a cărei scurgere nu funcționează corespunzător, este posibil să aveți nevoie mai degrabă de un instalator decât de un tehnician specializat în mașini de spălat vase.

Problemă	Cauze posibile	Soluții
Se formează spumă în compartimentul de spălare	Detergent necorespunzător	Folosiți numai detergent special pentru mașina de spălat vase, pentru a evita formarea de spumă. În această situație, deschideți mașina de spălat vase și lăsați spuma să se evapore. Adăugați 1 litru de apă rece în partea de jos a mașinii de spălat vase. Închideți ușa mașinii de spălat vase, apoi selectați orice program de spălare. Inițial, mașina de spălat vase va evacua apa. După finalizarea etapei de evacuare, deschideți ușa și verificați dacă spuma a dispărut. Dacă este necesar, repetați procedura.
	Agent de clătire vărsat.	Ștergeți imediat lichidele vărsate.
Interiorul compartimentului de spălare este pătat	Este posibil să se fi utilizat detergent cu colorant.	Asigurați-vă că detergentul nu conține colorant.
Peliculă albă pe suprafața interioară	Mineralele din apa dură.	Pentru a curăța interiorul, utilizați o lavetă umedă cu detergent pentru mașina de spălat vase și purtați mănuși de cauciuc. Nu folosiți în niciun caz alt detergent decât cel pentru mașina de spălat vase; în caz contrar, acesta poate provoca apariția spumei.
Se formează pete de rugină pe tacâmuri	Articolele afectate nu sunt rezistente la coroziune.	Evitați să spălați în mașina de spălat vase obiectele care nu sunt rezistente la coroziune.
	Nu a fost pus în funcțiune un program după ce a fost adăugată sare de dedurizare. Au rămas urme de sare în aparat în timpul ciclului de spălare.	Puneți de fiecare dată în funcțiune un program de spălare fără veselă după ce adăugați sare. Nu selectați funcția Turbo (dacă este disponibilă), după ce ați adăugat sarea pentru mașina de spălat vase.
	Capacul dedurizatorului este slăbit	Verificați capacul dedurizatorului pentru a vă asigura că acesta este bine închis.
Se aud bătăi în mașina de spălat vase	Un braț de pulverizare se lovește de un obiect aflat într-un coș	Înterupeți programul și rearanjați articolele care împiedică funcționarea brațului de pulverizare.
Se aud zornăituri în mașina de spălat vase	Vesela nu este poziționată corespunzător în mașina de spălat vase.	Înterupeți programul și rearanjați vesela.
Se aud bătăi în conductele de apă	Acest lucru poate fi cauzat de modalitatea de instalare sau de secțiunea transversală a conductelor.	Acest lucru nu are nicio influență asupra funcționării mașinii de spălat vase. Dacă aveți îndoieli, contactați un instalator calificat.

Problemă	Cauze posibile	Soluții
Vasele nu sunt curate	Vasele nu au fost încărcate corect.	Consultați „Pregătirea și așezarea vaselor”.
	Programul nu a fost suficient de puternic.	Selectați un program mai intens.
	Nu a fost dozat suficient detergent.	Folosiți mai mult detergent sau schimbați detergentul.
	Unele articole împiedică deplasarea brațelor de pulverizare.	Rearanjați articolele, astfel încât pulverizatorul să se poată roti liber.
	Ansamblul de filtrare nu este curat sau nu este montat corect în compartimentul de spălare. Acest lucru poate cauza blocarea orificiilor brațului de pulverizare.	Curățați și/sau montați corect filtrul. Curățați orificiile brațului de pulverizare. Aspect opac al articolelor din sticlă.
	Combinăție de apă cu grad scăzut de duritate și prea mult detergent.	Folosiți mai puțin detergent dacă apa utilizată are un grad scăzut de duritate selectați un program mai scurt pentru a spăla articolele din sticlă și pentru a le curăța.
Apar pete albe pe vase și pe pahare.	Apa dură poate cauza depuneri de calcar.	Verificați setările dedurizatorului sau cantitatea de sare din recipientul pentru sare.
Urme negre sau gri pe vase	Ustensilele din aluminiu s-au frecat de vase	Utilizați o substanță de curățare ușor abrazivă pentru a elimina aceste urme.
Detergent rămas în dozator	Vasele blochează dozatorul de detergent	Reîncărcați vasele în mod corespunzător
Vasele nu se usucă	Încărcare este necorespunzătoare	Pentru a evita iritarea pielii, folosiți mănuși în cazul în care pe vase rămân resturi de detergent.
	Vasele sunt scoase prea repede	Nu goliți mașina de spălat vase imediat după spălare. Deschideți ușor ușa pentru ca aburul să poată ieși. Scoateți vasele în condiții de siguranță în ceea ce privește temperatura din interiorul aparatului. Descărcați mai întâi coșul inferior, pentru a preveni căderea apei din coșul superior.
	A fost selectat un program nepotrivit.	În cazul unui program scurt, temperatura de spălare este mai scăzută, reducând performanța de curățare. Alegeți un program cu o durată mare de spălare.
	Utilizarea de tacâmuri cu un strat de acoperire de calitate inferioară.	Evacuarea apei este mai dificilă în cazul acestor articole. Tacâmurile sau vasele de acest tip nu pot fi spălate în mașina de spălat vase.

SERVICE ȘI ASISTENȚĂ PENTRU CLIEȚI

Utilizați numai piese de schimb originale.

Când contactați centrul nostru de service autorizat, asigurați-vă că aveți la îndemână următoarele informații: Denumirea modelului și numărul de serie.

Informațiile pot fi găsite pe plăcuța cu date tehnice. Acestea pot suferi modificări fără o notificare prealabilă.

DATE TEHNICE

Informațiile tehnice se află pe plăcuța cu date tehnice a aparatului și pe eticheta energetică.

Codul QR de pe eticheta energetică furnizată împreună cu aparatul oferă un link web către informațiile din baza de date EPREL cu privire la performanțele aparatului.

Păstrați eticheta energetică pentru consultări ulterioare, împreună cu manualul de utilizare și cu toate celelalte documente furnizate împreună cu acest aparat.

De asemenea, puteți găsi aceleași informații în baza de date EPREL, folosind link-ul <https://eprel.ec.europa.eu> și denumirea modelului și numărul de serie al produsului, pe care le găsiți pe plăcuța cu date tehnice a aparatului.

Pentru a accesa informațiile despre produsul dvs. în portalul EPREL, puteți scana codurile de mai jos:



Vă mulțumim pentru achiziționarea acestui produs! Dacă aveți nevoie de asistență în ceea ce privește produsul dumneavoastră, vizitați site-ul nostru web utilizând linkurile de mai jos:

Manualele de utilizare pot fi găsite la: <https://www.heinner.ro>

Informații privind service-ul pot fi găsite la: <https://www.heinner.ro>



MASURI PENTRU PROTECTIA MEDIULUI

Va informam ca persoanele fizice au urmatoarele obligatii prin legislatia specifica privind protectia mediului si regimul deșeurilor:

- Deșeurile de echipamente electrice și electronice (DEEE), pot conține substanțe periculoase pentru mediu și sănătatea umană. Conform OUG 5/2015, există obligativitatea predării acestora, pentru tratarea corespunzătoare și valorificarea componentelor reciclabile. Societatea Network One Distribution S.R.L. este platitoare de taxă de "timbru verde" pentru fiecare Echipament Electric și Electronic (EEE) pe care îl pune pe piață. Acest cost asigură tratarea ulterioară a echipamentelor uzate colectate. Din acest motiv, odată ce devine deșeu, produsul EEE poate fi predat gratuit operatorului Dvs. De salubritate, la magazine atunci când achiziționați alt echipament similar, sistemul "unul la unul" sau la punctul de colectare organizat de Primăria Sectorului / localității Dvs.
- Simbolul (marcajul) aplicat produselor, care indică faptul că deșeurile DEEE, bateriile și acumulatorii – fac obiectul unei colectări separate, îl reprezintă o pubeză barată cu o cruce.



Aceste masuri vor ajuta la protejarea mediului

Societatea Network One Distribution S.R.L. este inregistrata in Registrul de punere pe piata a echipamentelor electrice si electronice, avand numarul de inregistrare: RO-2016-03-EEE-0201-IV. De asemenea, au fost intocmite si sunt gestionate: Registrul de Retragere EEE si Registrul de Rechemare EEE, in conformitate cu HG 322/2013. Totodata societatea este inregistrata in Registrul de punere pe piata a bateriilor, avand numarul de inregistrare: RO-2011-03-B&A-0283.

Conformitatea cu directiva RoHS: Produsul pe care l-ați cumpărat este conform cu Directiva RoHS UE (2011/65/UE). Nu conține materialele dăunătoare și interzise specificate în Directivă.

Va multumim ca participati alaturi de noi la protejarea mediului si a sanatatii umane!



HEINNER este marcă înregistrată a companiei **Network One Distribution SRL**. Celelalte branduri și denumirile produselor sunt mărci de comerț sau mărci de comerț înregistrate ale respectivilor deținători.

Nicio parte a specificațiilor nu poate fi reprodusă, sub nicio formă și prin niciun mijloc, nici utilizată pentru obținerea unor derivate precum traduceri, transformări sau adaptări, fără consimțământul prealabil al companiei NETWORK ONE DISTRIBUTION.

Copyright © 2013 Network One Distribution. Toate drepturile rezervate.

www.heinner.com, <http://www.nod.ro>

<http://www.heinner.com>, <http://www.nod.ro>



Acest produs este proiectat și realizat în conformitate cu standardele și normele Comunității Europene.



Importator: **Network One Distribution**

Str. Marcel Iancu, nr. 3-5, București, România

Tel: +40 21 211 18 56, www.heinner.com , www.nod.ro

СЪДОМИЯЛНА МАШИНА

Модел:
HDW-BIM60514E++



Брой комплекта: 14

Брой програми: 5

Енергиен клас: E

HEINNER

1. ВЪВЕДЕНИЕ

Моля прочетете внимателно инструкциите и запазете наръчника за бъдещи справки.

Този наръчник има за цел да Ви предостави всички необходими инструкции по отношение на инсталирането, използването и поддържането на уреда. Преди инсталиране и използване на уреда, с цел правилна и безопасна употреба на уреда, моля прочетете внимателно този наръчник с инструкции.

2. СЪДЪРЖАНИЕ НА ВАШИЯ ПАКЕТ

- ➔ Съдомиялна машина
- ➔ Наръчник за употреба
- ➔ Сертификат за гаранция

3. ИНФОРМАЦИЯ ОТНОСНО БЕЗОПАСНОСТТА

ОБЩИ ХАРАКТЕРИСТИКИ

Когато използвате съдомиялната машина, спазвайте предпазните мерки, посочени по-долу:

- Инсталирането и ремонтите може да се извършват само от квалифициран техник.
- Този уред е предназначен за използване в жилища и други подобни помещения:
 - кухни на персонала в магазини, офиси и други работни среди.
 - Ферми.
 - от клиенти на хотели, мотели и други жилищни среди.
 - среди от тип пансион с предлагана закуска.
- Уредът може да се използва от деца на възраст от 8 години и от лица с намалени физически, сетивни или умствени възможности, които нямат опит или познания само, ако са наблюдавани или обучени относно безопасната употреба на уреда и, ако разбират опасностите, свързани с употребата.
- Децата нямат право да си играят с уреда. Почистването и поддръжката не трябва да се извършва от деца без надзор.
- Устройството не е предназначено за използване от лица (включително деца) с намалени физически, сензорни или умствени способности, или които нямат необходимите опит и познания, освен ако са наблюдавани или са били обучени относно използването на уреда от лице, отговорно за тяхната безопасност.
- Опаковъчният материал може да бъде опасен за деца!
- Децата трябва да бъдат наблюдавани, така че да не си играят с уреда.
- Този продукт е предназначен само за домашна употреба, в затворени помещения.
- За да се предпазите от токов удар, не потапяйте уреда, неговия кабел или щепсел във вода или други течности.
- Моля, изключвайте щепсела от източника на захранване преди извършване на операции по почистване и поддръжка на уреда. Използвайте мека попивателна кърпа и малко вода с препарат за миене, след което използвайте суха кърпа, за да избършете отново.

- За да избегнете опасност, ако захранващият кабел е повреден, той трябва да бъде сменен ототоризиран сервизен представител или от лица с подобна квалификация.

Инструкции за заземяване

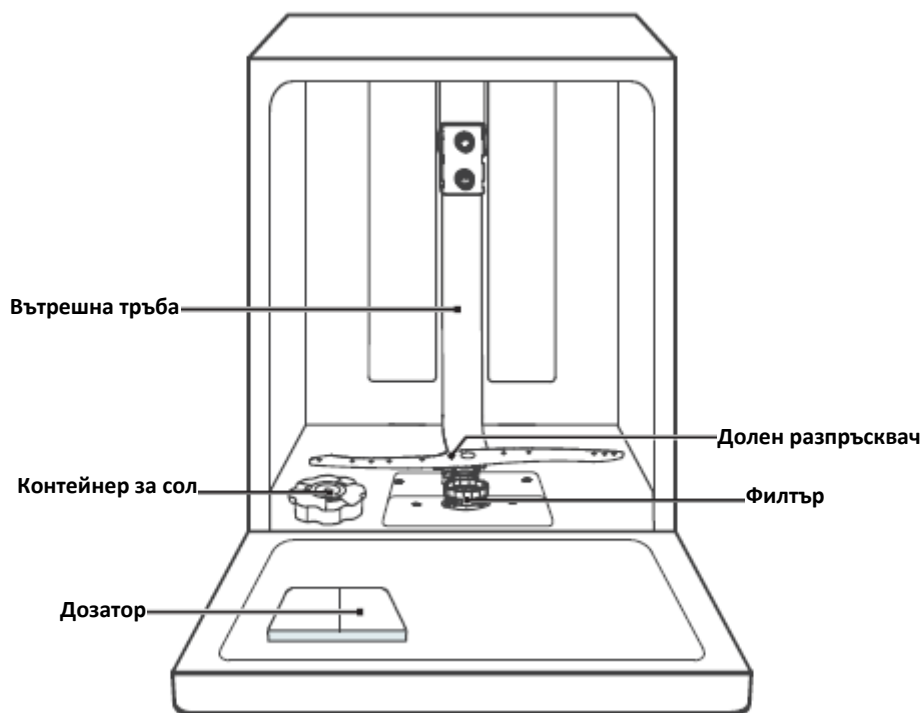
- Този уред трябва да бъде заземен. В случай на несъответстващо функциониране или на повреда, заземяването ще намали риска от токов удар, като се осигурява път с най-малко съпротивление за електрическия ток. Този уред е оборудван със щепсел със заземителен проводник.
- Щепселът трябва да бъде свързан към съответстващ контакт, инсталиран и заземен в съответствие с всички местни предписания и разпоредби.
- Несъответстващото свързване на заземителния проводник може да доведе до поява на опасност от токов удар.
- Консултирайте се с квалифициран електротехник или със сервизен представител, ако имате съмнения по отношение на съответстващото заземяване на уреда.
- Не модифицирайте щепсела, който е доставен с уреда, ако не пасва на контакта.
- Изисквайте инсталирането на съответстващ контакт от квалифициран електротехник.
- Не блъскайте съдомиялната машина и не сядайте на вратата или на нейния рафт.
- Използвайте съдомиялната машина, само ако всички защитни панели са позиционирани правилно.
- Отваряйте внимателно вратата, ако работи съдомиялната машина, тъй като съществува риск от изтичане на вода от машината.
- Не поставяйте тежки предмети върху вратата и не сядайте върху нея, когато е отворена. Съществува риск от преобръщане на уреда.
- Когато вкарвате изделията, които следва да се измиват:
 - 1) Поставяйте остри предмети така, че да не могат да повредят уплътнението на вратата.
 - 2) Предупреждение: Ножовете и другите прибори с остри върхове трябва да се поставят в кошницата с върховете надолу или да се поставят в хоризонтално положение.
- Някои препарати за миене за съдомиялни машини имат висока алкалност. Може да бъдат изключително опасни при поглъщане. Избягвайте контакт с кожата и очите и не позволявайте на деца да се приближават до съдомиялната машина, когато вратата ѝ е отворена.
- Уверявайте се, че в уреда не остават остатъци от препарат за миене след приключване на програмата за измиване.
- Може да измивате пластмасови изделия, само ако са обозначени с маркировка „подходящ за измиване в съдомиялна машина“или нейн еквивалент.
- За пластмасови изделия, които не са маркирани, проверете препоръките на производителя.
- Използвайте само препарат за миене и агенти за изплакване, които се препоръчват за употреба в автоматична съдомиялна машина.
- Никога не използвайте в съдомиялната машина сапун, препарат за изпиране на дрехи или препарат за измиване на ръце.
- Вратата не трябва да се оставя отворена, тъй като това може да увеличи риска от спъване.
- По време на инсталиране захранващият кабел не трябва да се насилва или притиска.
- Не променяйте командните бутони на уреда.
- Уредът трябва да се свърже към главното кранче за вода с помощта на нови маркучи. Старите маркучи не трябва да се използват повторно.

- За да се пести електроенергия, в режим на готовност уредът ще се изключва автоматично след 15 минути, без никаква намеса от страна на потребителя.
- Максималният брой комплекти съдове, които може да се измиват, е 14.
- Максимално допустимото налягане на водата при захранване е 1 МРа.
- Минимално допустимото налягане на водата при захранване е 0,04 МРа.

4. ОПИСАНИЕ НА ПРОДУКТА

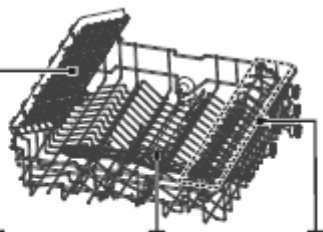
ВАЖНО!

За да получите оптимална производителност от Вашата съдомиялна машина, прочетете всички инструкции за употреба, преди да я използвате за първи път.



Долна кошница

Кошница кош



Горен разпръсквач

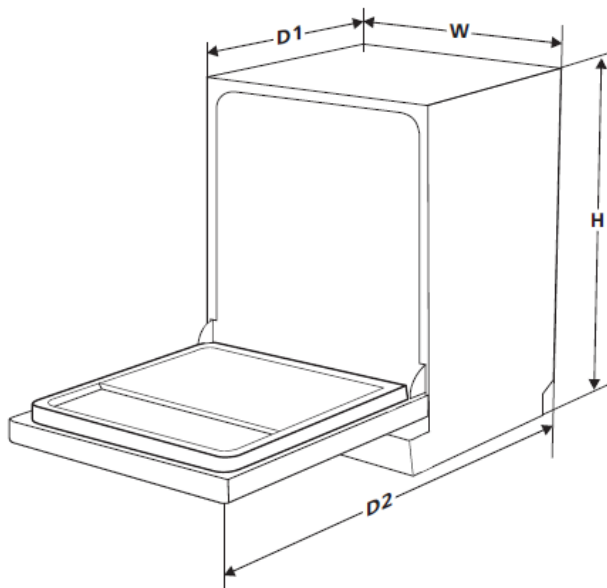
Горна кошница

Рафт за чаши



Долен кош

5. ТЕХНИЧЕСКИ ДАННИ



Височина (H)	820 мм
Широчина (W)	600 мм
Дълбочина (D1)	550 мм (с отворена врата)
Дълбочина (D2)	1150 мм (с отворена врата на 90°)

6. ИНСТАЛИРАНЕ

ПРЕДУПРЕЖДЕНИЕ!

Опасност от токов удар

Изключете захранването с електроенергия, преди да инсталирате съдомиялната машина.

Неспазването на тази мярка може да доведе до смърт или до токов удар.

ВНИМАНИЕ

Монтажът на тръби и електрическо оборудване трябва да се извърши от специализиран персонал.

Информация относно свързването към мрежата за захранване с електроенергия

ПРЕДУПРЕЖДЕНИЕ!

За безопасността на хората:

Не използвайте удължителни кабели или захранващи адаптери за този уред.

Не срязвайте и не премахвайте под никаква форма щифта за заземяване, с който е предвиден захранващия кабел.

Изисквания относно захранването с електроенергия

Моля, вижте етикета с технически данни, за да разберете номиналното напрежение и да свържете съдомиялната машина към съответстващ източник на захранване. Използвайте съответстващ предпазител 10A/13A/16A, предпазител със закъснител или препоръчан прекъсвач и се уверете, че има на разположение отделна верига, която да захранва само този уред.

Свързване към електрическата мрежа

Уверете се, че захранващото напрежение и честотата съответстват на посоченото върху табелката с техническите данни. Вкарвайте щепсела само в електрически контакт, който е заземен по съответстващ начин. Ако електрическият контакт, към който трябва да се свързва уредът, не е подходящ за щепсела, с който е предоставен уредът, сменете контакта и не използвайте адаптери или други подобни устройства, тъй като може да доведат до прегряване на уреда и може да причинят изгаряния.

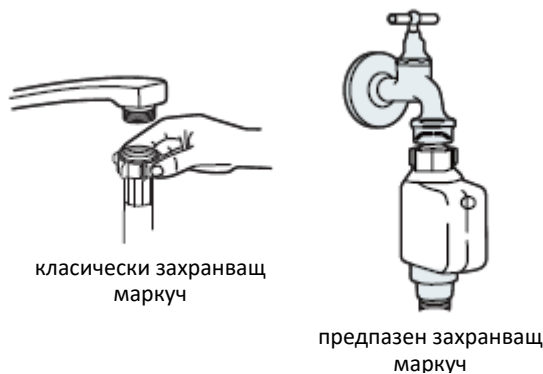
Преди да използвате продукта, се уверете, че има на разположение подходящо заземяване.

Захранване с вода и отвеждане на водата

Връзка за студена вода

Свържете захранващия маркуч със студена вода към връзка с резба 3/4 (инча) и се уверете, че е фиксиран добре на място.

Ако водопроводните тръби са нови или не са използвани дълго време, оставете водата да тече известно време, за да се уверите, че водата е чиста. Тази предпазна мярка е необходима, за да се избегне риска от блокиране на захранването с вода и повреждане на уреда.



Относно предпазния захранващ маркуч

Предпазният захранващ маркуч има двойни стени. Системата се намесва чрез блокиране на потока вода, ако захранващият маркуч се скъса и когато пространството между самия захранващ маркуч и външния гъвкав маркуч е пълно с вода.

ПРЕДУПРЕЖДЕНИЕ!

Маркуч, свързан към кранче, може да се скъса, ако е монтиран на същия водопровод със съдомиялната машина. Ако Вашата мивка има такава конфигурация, се препоръчва да разкачите маркуча, а отворът да бъде затапен.

Свързване на предпазния захранващ маркуч

1. Извадете предпазните захранващи маркучи от отделението за съхранение, разположено в задната страна на съдомиялната машина.
2. Затегнете болтовете на предпазния захранващ маркуч към кранчето с резба от 3/4 инча.
3. Отворете напълно кранчето за вода, преди да включите съдомиялната машина.

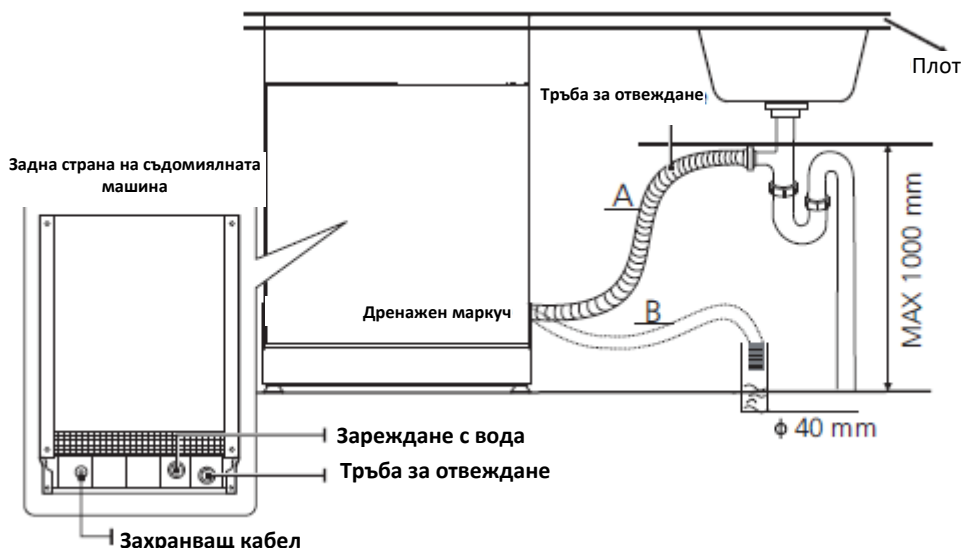
Разкачане на предпазния захранващ маркуч

1. Затворете кранчето за вода.
2. Разкачете предпазния захранващ маркуч от кранчето.

Свързване на дренажните маркучи

Вкарайте дренажния маркуч в тръба за отвеждане с минимален диаметър 4 см или го оставете да тече в мивката, като внимавате да не го прегънете или сгънете. Височината на тръбата за отвеждане трябва да бъде по-малка от 1000 мм. Свободният край на маркуча не трябва да се потапя във вода, за да се избегне изпомпването.

Моля, фиксирайте дренажния маркуч здраво или в позиция А, или в позиция В.



Отвеждане на излишната вода от маркучите

Ако връзката на тръбата за отвеждане е позиционирана на височина, по-голяма от 1000 мм, излишната вода може да остане в дренажния маркуч. Ще се наложи да източите излишната вода от маркуча в подходящи купи или съдове, които да се държат навън и на по-ниска височина от тази на мивката.

Отвор за отвеждане на водата

Свържете маркуча за отвеждане на водата. Маркучът трябва да бъде монтиран правилно, за да се избегне появата на течове на вода. Уверете се, че маркучът за отвеждане на водата не е прегънат или притиснат.

Удължителен маркуч

Ако имате нужда от удължение на маркуча за отвеждане, уверете се, че използвате подобен маркуч. Не трябва да е по-дълъг от 4 метра. В противен случай почистващият ефект на съдомиялната машина може да бъде намален.

Свързване на сифона

Връзката за отвеждане трябва да е на височина по-малка от 1000 мм (максимум) спрямо долната страна на съдомиялната машина.

Позициониране на уреда

Позиционирайте уреда на желаното място. Задната страна трябва да се подпира на задната стена, а страничните части по дължината на шкафите или съседните стени. Съдомиялната машина е оборудвана с маркучи за хранване с вода и за отвеждане, които може да бъдат позиционирани или от дясната, или от лявата страна, за да се улесни съответстващия монтаж.

Вграждане на уреда

Стъпка 1. Избор на най-доброто място за съдомиялната машина

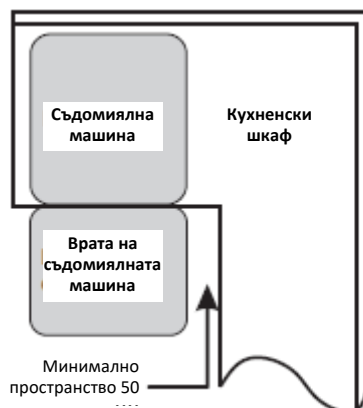
Мястото на инсталиране на съдомиялната машина трябва да е в близост до захранващия маркуч, до този за отвеждане и до електрическия контакт.

Илюстрации относно размерите на шкафа и позицията за инсталиране на съдомиялната машина.

1. По-малко от 5 мм между горната страна на съдомиялната машина и шкафа, и външната врата, приравнена към шкафа.



2. Ако съдомиялната машина е инсталирана в ъгъла на шкафа, трябва да има известно пространство, когато вратата е отворена.



ЗАБЕЛЕЖКА:

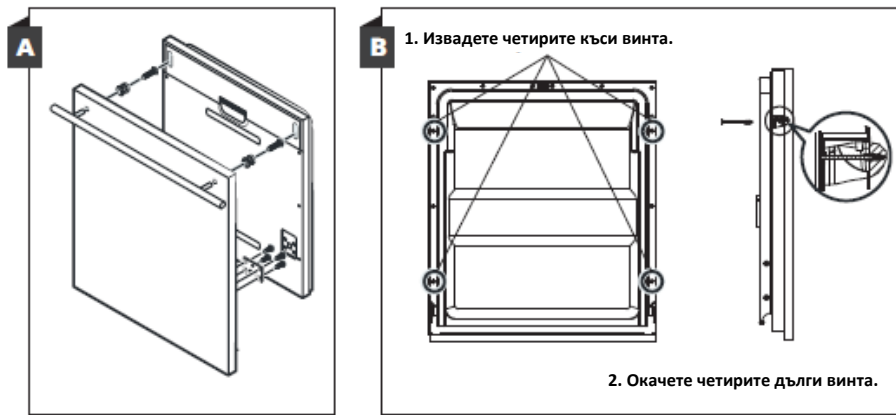
В зависимост от мястото, където се намира електрическият контакт, може да се наложи да изрежете дупка в противоположната страна на шкафа.

Стъпка 2. Размери и монтаж на декоративното пано

Следвайте специфичните инструкции за монтаж с цел фиксиране на декоративния панел.

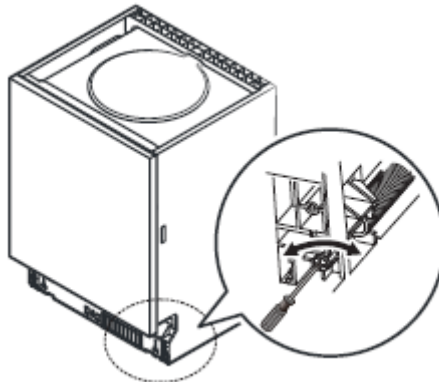
Напълно интегриран модел

Поставете куката от декоративния панел и вкарайте куката в процеп на външната врата на съдомиялната машина (вижте фигура А). След позициониране на панела, фиксирайте панела върху външната врата с помощта на винтовете и болтовете (вижте фигура В).



Стъпка 3. Регулиране на напрежението на пружината на вратата

1. Пружините на вратата са регулирани фабрично до подходящото напрежение за външната врата. Ако са монтирани декоративни панели, ще трябва да регулирате напрежението на пружината на вратата. Завъртете регулиращия винт, за да задействате устройството за настройка с оглед затягане или разхлабване на стоманения кабел.
2. Напрежението на пружината на вратата е правилно, когато вратата остава в хоризонтална позиция, когато е напълно отворена, но се вдига и се затваря при леко вдигане с пръст.



Стъпка 4. Етапи на инсталиране на съдомиялната машина

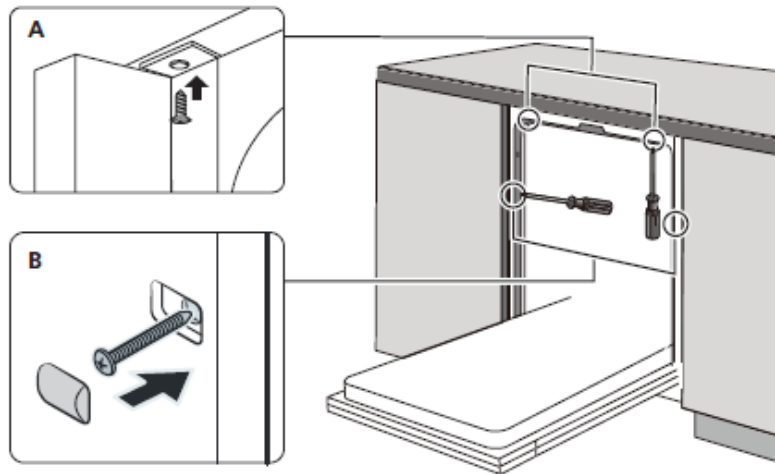
Моля, вижте конкретните стъпки за инсталиране в скиците за инсталиране.

1. Фиксирайте лентата против конденз под горния плот на шкафа. Моля, уверете се, че лентата против конденз е подравнена с ръба на горния плот (Стъпка 2).
2. Свържете захранващия маркуч към водоизточника.
3. Свържете маркуча за отвеждане.
4. Свържете захранващия кабел.
5. Поставете съдомиялната машина в шкаф.
6. Нивелирайте съдомиялната машина. Задното краче може да се регулира от предната страна на съдомиялната машина чрез завъртане на винта с кръстата глава от средата на основата на машината с помощта на кръстата отвертка. За да регулирате предните крачета, използвайте права отвертка и завъртете предните крачета, докато съдомиялната машина е уравновесена (от стъпка 5 до стъпка 6).
7. Монтирайте вратата на кухненския шкаф на външната врата на съдомиялната машина (от стъпка 7 до стъпка 10).
8. Регулирайте напрежението на пружините на вратата, чрез завъртане с кръстата отвертка по посока на часовниковите стрелки, за да опънете пружините на вратата от ляво и от дясно. Ако не направите това, съдомиялната машина може да се повреди (стъпка 11).

9. Съдомиялната машина трябва да бъде фиксирана на място. Съществуват два начина, по които може да направите това:

A. Обикновен плот: Вкарайте монтажната кука в процепата от страничната равнина и я фиксирайте за плота с помощта на винтовете.

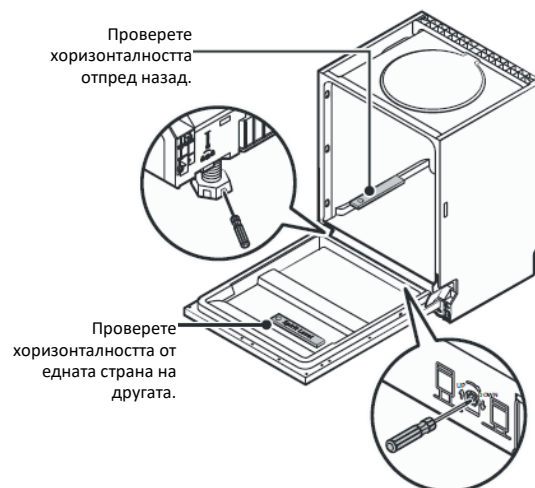
B. Мраморен или гранитен плот: Фиксирайте страничната част с помощта на винтовете.



Стъпка 5. Нивелиране на съдомиялната машина

Съдомиялната машина трябва да е стабилна с оглед правилно функциониране на рафта за съдове и постигане на оптимална производителност на измиване.

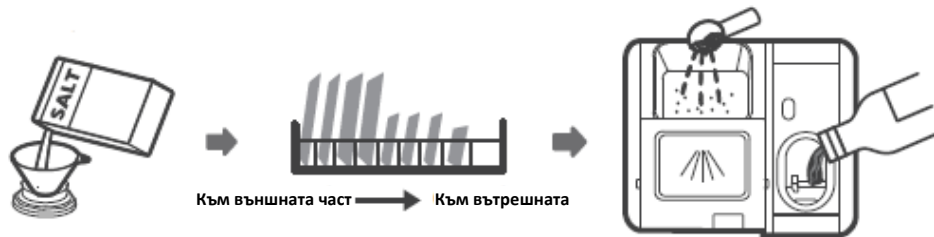
1. Поставете нивелир върху вратата и върху релсата на рафта във вътрешността на ваната, така както е показано, за да проверите дали съдомиялната машина е хоризонтална.
2. Нивелирайте съдомиялната машина чрез индивидуалната настройка на трите регулируеми крачета.
3. Когато нивелирате съдомиялната машина, внимавайте да не я оставите да се преобърне.



ЗАБЕЛЕЖКА: Максималната височина за регулиране на крачетата е 50 мм.

7. ИЗПОЛЗВАНЕ НА СЪДОМИЯЛНАТА МАШИНА

Преди използване на съдомиялната машина:



1. Настройте нивото на агента за омекотяване на водата.
2. Поставете омекотяваща сол в специално предвиденото за целта отделение.
3. Заредете кошницата.
4. Напълнете чекмеджето за препарат за миене.

Вкарване на омекотяваща сол в специално предвиденото за целта отделение

ЗАБЕЛЕЖКА!

Ако моделът на Вашия уред не е оборудван с отделение за омекотяваща сол, може да пропуснете този раздел.

- Използвайте винаги омекотяваща сол, предназначена за използване в съдомиялна машина.
- Контейнерът за сол се намира под долната кошница и трябва да се напълва съгласно инструкциите по-долу:

ПРЕДУПРЕЖДЕНИЕ!

Използвайте само омекотяваща сол, специално предназначена за използване в съдомиялна машина!

Всеки друг вид сол, която не е специално предназначена за съдомиялна машина, особено трапезната сол, ще повреди Вашата система за омекотяване на водата. В случай на повреди, причинени от използването на неподходяща сол, производителят не предоставя никаква гаранция и не носи отговорност за евентуални причинени щети.

Поставяйте сол в контейнера само преди да стартирате програма.

Така вие си гарантирате, че гранулите сол или солената вода не остават за по-дълго време в долната страна на уреда, което може да доведе до корозия.


Моля, следвайте стъпките по-долу, за да поставите омекотяваща сол в съдомиялната машина:



1. Извадете долната кошница и развийте капачката на резервоара.
2. Поставете края на фунията (ако е доставена) в отвора и изсипете приблизително 1,5 кг омекотяваща сол.
3. Напълнете с вода контейнера за сол до максималната граница. Нормално е малко количество вода да излиза от контейнера за сол.

4. След като напълните контейнера, завийте плътно капачката.
5. Предупредителният индикатор за липса на сол ще изгасне след напълване на контейнера със сол.
6. Веднага след като напълните контейнера със сол, е необходимо да стартирате програма за измиване (препоръчваме Ви да използвате кратка програма). В противен случай филтърната система, помпата или други важни компоненти на уреда може да се повредят от солената вода. Тези повреди не се покриват от гаранцията.

ЗАБЕЛЕЖКА:

- Контейнерът за сол трябва да се напълва отново само, когато предупредителният индикатор за липса на сол () светне върху контролния панел. В зависимост от това колко добре се разтваря солта, предупредителният индикатор за липса на сол може да остане светнат, въпреки че контейнерът за сол е пълен.
Ако контролният панел (при някои модели) не е оборудван с предупредителен индикатор за липса на сол, може да прецените момента, в който трябва да допълнете количеството сол, в зависимост от използваните програми за измиване.
- Ако се е разпиляла сол, стартирайте програма за наkisване или програма за бързо измиване, за да я отстраните.

Съвети относно зареждането на кошниците

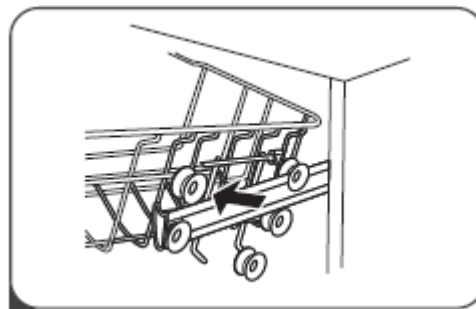
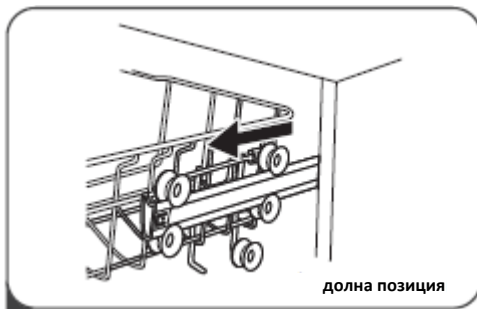
Регулиране на горната кошница

Тип 1:

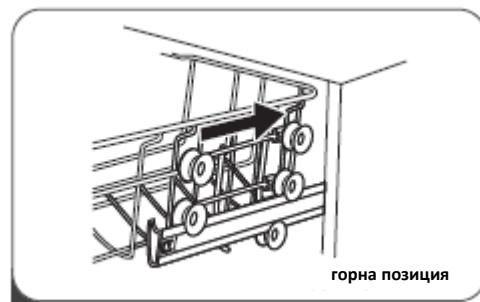
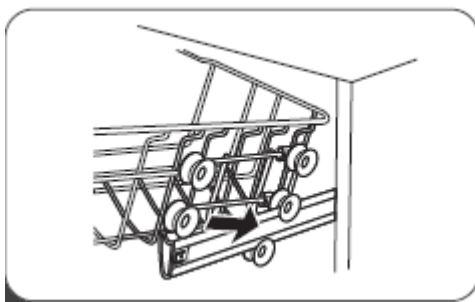
Височината на горната кошница може лесно да се регулира, за да се позволи поставянето на по-високи съдове както в горната, така и в долната кошница.

За да регулирате височината на горния рафт, направете следното:

5. Дръпнете навън горната кошница.
6. Извадете горната кошница.



7. Фиксирайте отново горната кошница върху горните или долните ролки.
8. Бутнете горната кошница навътре.



Сгъване на рафтовете за чаши

За да се направи място за по-високи предмети в горната кошница, може да вдигнете поставката за чаши.

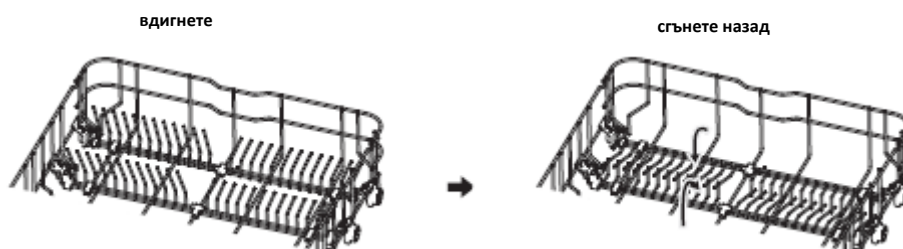
След това може да подпрете на нея високите чаши.



Сгъване на прътите на долната кошница

Прътите на долната кошница се използват за задържане на чинии и на един поднос/тава.

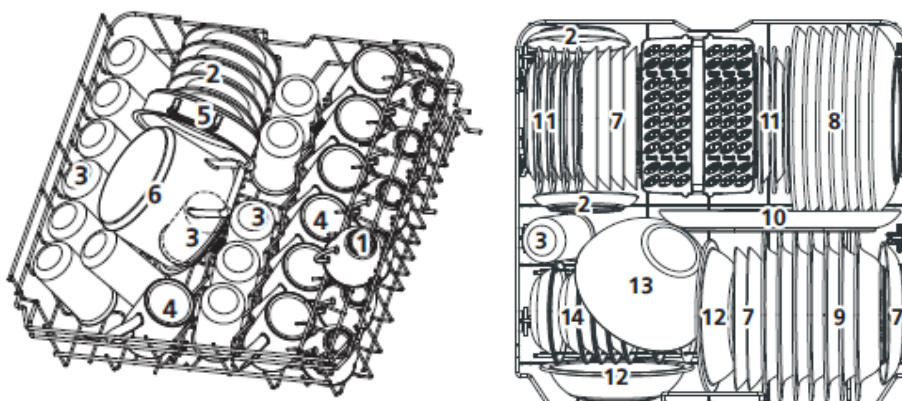
Възможно е да се спуснат, за да се направи повече място за големи предмети.



Зареждане на кошниците (в съответствие със стандарта EN60436)

Зареждането на съдомиялната машина при пълен капацитет ще Ви помогне да спестите електроенергия и вода.

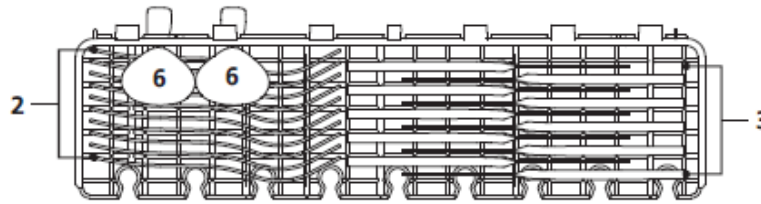
Горна кошница и долна кошница



Номер	Изделие
1	Чашки
2	Чинии
3	Чаши
4	Кани
5	Тенджер за фурна

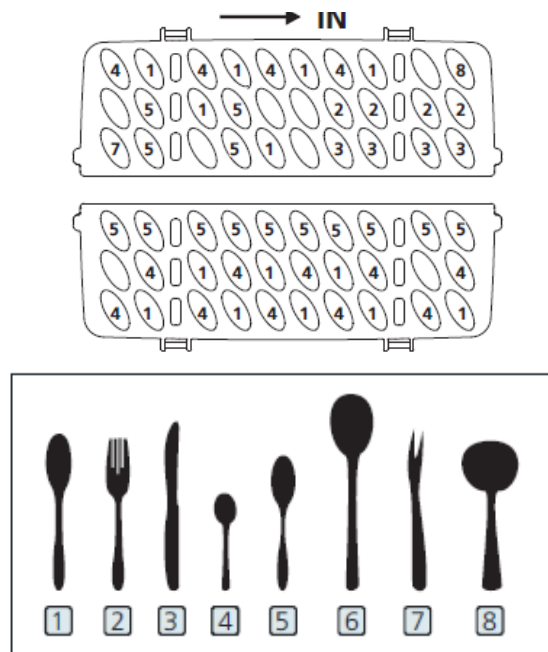
6	Малка тенджера
Номер	Изделие
7	Чинии за десерт
8	Чинии за вечеря
9	Чинии за супа
10	Овална тава/поднос
11	Меламинови чинии за десерт
12	Меламинови купи
13	Стъклена купа
14	Купи за десерт
15	Кошница за прибори за хранене

Рафтът за прибори за хранене



Рафтът за прибори за хранене

ЗАБЕЛЕЖКА! Моля, поставяйте леките плоски предмети върху рафта. Максималното тегло на натоварване е 1,5 кг.



Номер	Изделие
1	Лъжици за супа
2	Вилици
3	Ножове
4	Лъжички
5	Лъжички за десерт
6	Лъжици за сервиране
7	Вилици за сервиране
8	Черпак за сосове

Кошница за прибори за хранене

Информация относно сравнителните тестове съгласно стандарт EN60436

Капацитет: 14 комплекта съдове

Позиция на горната кошница: долна позиция

Програма: ECO

Настройка на агента за изплакване: Max

Настройка на агента за омекотяване: H3

Система за омекотяване на водата

Системата за омекотяване на водата трябва да се настройва ръчно с помощта на бутона за показване на нивото на твърдост на водата

Системата за омекотяване на водата е предназначена да отстранява от водата минералите и солите, които биха имали негативен ефект върху функционирането на уреда.

Колкото повече минерали има, толкова по-твърда е водата.

Системата за омекотяване трябва да се регулира според твърдостта на водата във Вашия район.

Вашето местно дружество по водоснабдяване може да Ви посъветва относно твърдостта на водата във Вашия регион.

Регулиране на консумацията на сол

Съдомиялната машина е проектирана така, че да позволява регулиране на консумираното количество сол в зависимост от твърдостта на използваната вода. Целта е да се оптимизира и персонализира нивото на консумация на сол.

Моля, следвайте стъпките по-долу, за да коригирате консумацията на сол.

1. Отворете вратата, включете уреда.
2. В рамките на 60 секунди след включването на уреда натиснете и задръжте натиснат бутона Rapid за повече от 5 секунди, за да активирате функцията за настройка на системата за омекотяване на водата.
3. Натиснете бутона Rapid, за да изберете съответстващата настройка в зависимост от местните условия. Настройката ще се променя в следния ред: H1->H2->H3->H4->H5->H6.
4. Натиснете бутона за захранване, за да деактивирате функцията за настройка.

Твърдост на водата				Ниво на твърдост на водата	Регенерирането се извършва на всеки X програми ¹⁾	Консумация на сол (грамове/цикъл на измиване)
Немска твърдост *dh	Френска твърдост *fh	Британска твърдост *Clarke	Mmol/l			
0-5	0-9	0-6	0-0,94	H1 -> светва индикаторът „Rapid“	Без регенерация	0
6-11	10-20	7-14	1,0-2,0	H2 -> светва индикаторът „90 min“	10	9
12-17	21-30	15-21	2,1-3,0	H3 -> светват индикаторите „90 min“ и „Rapid“	5	12
18-22	31-40	22-28	3,1-4,0	H4 -> светва индикаторът „ECO“	3	20
23-34	41-60	29-42	4,1-6,0	H5 -> светват индикаторите „ECO“ и „Rapid“	2	30
35-55	61-98	43-69	6,1-9,8	H6 -> светват индикаторите „ECO“ и „90 min“	1	60

1°dH = 1,25°Clarke = 1,78°fH = 0,178mmol/l

Фабрична настройка: H3

¹⁾ Всеки цикъл на измиване с регенерация изразходва 2,0 литра допълнителна вода, консумацията на електроенергия се увеличава с 0,02 kWh, а програмата се удължава с 4 минути.

ЗАБЕЛЕЖКА!

Ако моделът на Вашия уред не е оборудван с отделение за омекотяваща сол, може да пропуснете този раздел.

Система за омекотяване на водата

Твърдостта на водата варира от едно място на друго. Ако използвате твърда вода в съдомиялната машина, ще се образуват отлагания върху съдовете и приборите за готвене.

Уредът е оборудван със специален омекотител, който използва контейнер за сол, специално предназначен за премахване на варовика и минералите от водата.

Подготовка и поставяне на съдовете

- Помислете за закупуване на прибори за готвене, които са етикетирани като подходящи за измиване в съдомиялна машина.
- За определени видове изделия изберете програмата с възможно най-ниската температура.
- За да се предотврати повреда, не изваждайте чашите и приборите за хранене от съдомиялната машина веднага след като програмата е приключила.

За измиване на следните прибори за хранене/съдове

Не са подходящи:

- Прибори за хранене с дървени, костени или седефени дръжки.
- Пластмасови изделия, които не са устойчиви на топлина.
- По-стари прибори за хранене със запоени компоненти, които не са устойчиви на температура.
- Залепени прибори за хранене или съдове.
- Изделия от калай или мед.
- Кристално стъкло.
- Стоманени изделия, изложени на ръжда.
- Дървени тави/подноси.
- Изделия, произведени от синтетични влакна.

Имат ограничена степен за подходящост:

- Някои видове чаши може да станат матови след голям брой измивания.
- Сребърните и алуминиевите компоненти имат склонност да се обезцветяват по време на измиване.
- Емайлираните орнаменти може да се обезцветят, ако се измиват често в съдомиялна машина.

Препоръки относно зареждането на съдомиялната машина

Отстранете от съдовете големите количества хранителни остатъци. Накиснете остатъците от загоряла храна в тиганите. Не е необходимо да изплаквате съдовете под водна струя.

За оптимално функциониране на съдомиялната машина, следвайте тези съвети относно зареждането. (Характеристиките и външният вид на кошниците и на кошниците за прибори за хранене може да се различават от Вашия модел.)

Поставяйте предметите в съдомиялната машина, както следва:

- Предмети като кани, чаши, тенджери, тигани и др. трябва да са обърнати с гърлото надолу.

- Заоблените предмети или такива с вдлъбнатини трябва да се поставят наклонени в машината, за да може водата да се оттича.
- Всички прибори за готвене са подредени безопасно и не може да се преобръщат.
- Всички прибори за готвене трябва да се поставят безопасно, така че да не се преобръщат.
- Зареждайте предмети като кани, чаши, тигани и др. с гърлото надолу, за да не може да се събира вода в съда.
- Чиниите и приборите за хранене не трябва да се поставят едни в други или да се покриват едните с другите.
- Чашите не трябва да се допират едни в други, за да се избегне повреждането им.
- Горната кошница е предназначена за деликатни и по-леки съдове, като чаши, чашки за кафе или за чай.
- Ножовете с дълги остриета, съхранявани във вертикална позиция, представляват потенциална опасност!
- Дългите и острите прибори за хранене, като например ножовете за дърворезба, трябва да се позиционират хоризонтално в горната кошница.
- Моля, не претоварвайте съдомиялната машина. Това е важно за добри резултати и за разумна консумация на електроенергия.

ЗАБЕЛЕЖКА:

Много малки изделия не трябва да се измиват в съдомиялна машина, тъй като може да изпаднат лесно от кошницата.

Изваждане на съдовете

За да се предотвратите изтичането на вода от горната в долната кошница, препоръчваме Ви да изпразните първо долната кошница и след това горната.

ПРЕДУПРЕЖДЕНИЕ!

Артикулите ще станат горещи! За да се предотврати повреда, не изваждайте чашите и приборите за хранене от съдомиялната машина преди, приблизително, 15 минути след края на програмата.

Зареждане на горната кошница

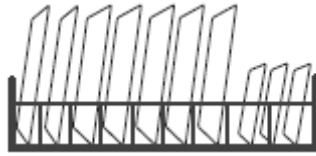
Горната кошница е предназначена за по-деликатни и по-леки кухненски съдове като чаши, чашки и чинийки за кафе и чай, както и за чинии, малки купи и плитки тигани, при условие да не са много замърсени. Позиционирайте съдовете и приборите за готвене, така че да не може да се преместват от водната струя.



Зареждане на долната кошница

Препоръчваме Ви да поставяте в долната кошница големи и трудни за почистване предмети като тенджери, тигани, капаци, тави, подноси и купи, както е показано на фигурата по-долу. Препоръчително е да поставите тавите, подносите и капаци отстрани на рафтовете, за да избегнете блокирането на горния разпръсквач.

Максималният препоръчителен диаметър на чиниите пред дозатора за препарат за миене е 19 см, за да не се пречи на отварянето му.



Зареждане на кошницата за прибори за хранене

Приборите за хранене трябва да се поставят в кошницата за прибори, отделени едни от други, на подходящи позиции. Избягвайте струпването на прибори, за да предотвратите намаляване на ефективността на почистване.

ПРЕДУПРЕЖДЕНИЕ



Не позволявайте да излизат никакви предмети през долната страна.
Винаги поставяйте остриите прибори с острия връх надолу!

За най-оптимален ефект на измиването, моля, зареждайте кошниците съгласно стандартните опции за зареждане от Глава 7.


Роля на агента за изплакване и на препарата за миене

Агентът за изплакване се освобождава по време на крайното изплакване, за да се предотврати образуването на водни капчици, които могат да оставят петна и ивици по Вашите съдове. Освен това, той подобрява изсушаването, като позволява на водата да се оттича от съдовете. Вашата съдомиялна машина е проектирана за използване на течни агенти за изплакване.

Използвайте само маркови продукти за изплакване, предназначени за съдомиялни машини. Никога не пълнете дозатора за агент за изплакване с други вещества (например: агент за почистване за съдомиялна машина, течен препарат за миене). Това може да доведе до повреждане на уреда.

Интервали за презареждане на дозатора за агент за изплакване

Редовността, с която дозаторът трябва да се презарежда, зависи от честотата, с която се измиват съдовете, и от използваната настройка за изплакване.

Индикаторът за предупреждение относно липсата на агент за изплакване () ще светне, когато има нужда от повече течност за изплакване.

Не препълвайте дозатора за агент за изплакване.

Роля на препарата за миене

Химическите съставки, които са включени в съдържанието на препарата за миене, са необходими за отстраняване, раздробяване и разместване на цялата мръсотия от съдомиялната машина. Повечето качествени препарати за миене от търговската мрежа са подходящи за тази цел.

ПРЕДУПРЕЖДЕНИЕ!

Правилно използване на препарата за миене

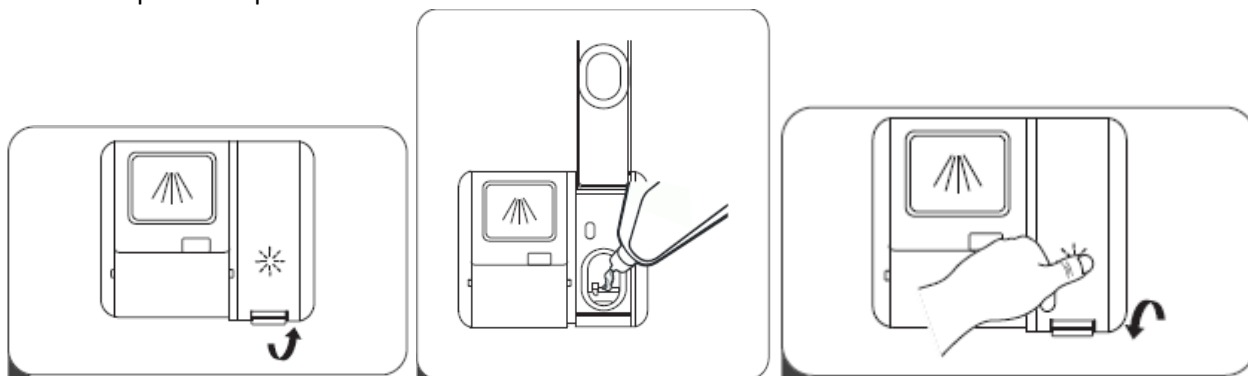
Използвайте само препарат за миене, специално предназначен за съдомиялни машини. Поддържайте препарата за миене свеж и сух.

Не поставяйте препарат за миене в дозатора, преди да сте готови да стартирате съдомиялната машина.

Препаратът за миене за съдомиялна машина е корозивен! Съхранявайте далеч от деца препарата за миене за съдомиялна машина.

Напълване на резервоара за агент за изплакване

1. Отстранете капака на резервоара за изплакване, като вдигнете дръжката.
2. Налейте течността за изплакване в дозатора, като внимавате да не го препълните.
3. Накрая затворете капака.



Регулиране на резервоара за агент за изплакване

За да се постигне по-висока ефективност на изсушаването с по-малко количество агент за изплакване, съдомиялната машина е проектирана така, че потреблението на агент за изплакване да може да се определя от потребителя. Следвайте стъпките по-долу.

1. Отворете вратата и включете уреда.
2. В рамките на 60 секунди от стъпка 1 натиснете и задръжте натиснат бутона Rapid за повече от 5 секунди, след което натиснете бутона Таймер, за да изберете настройката, а индикаторът за агент за изплакване ще мига.
3. Натиснете бутона Rapid, за да изберете подходящата настройка според Вашите навици на използване и настройките ще се променят в реда по-долу: D1 -> D2 -> D3 -> D4 -> D5 -> D1. Колкото е по-голям номера, толкова повече агент за изплакване използва съдомиялната машина.
4. Не натискайте нито един бутон за 5 секунди или натиснете бутона за захранване, за да завършите настройката и да излезете от режима на настройка.

Ниво на агента за изплакване	Позиция на селектора
D1	Светва индикаторът „Rapid“.
D2	Светва индикаторът „90 мин.“.
D3	Светват индикаторите „90 мин.“ и „Rapid“.
D4	Светва индикаторът „ECO“.
D5	Светват индикаторите „ECO“ и „Rapid“.

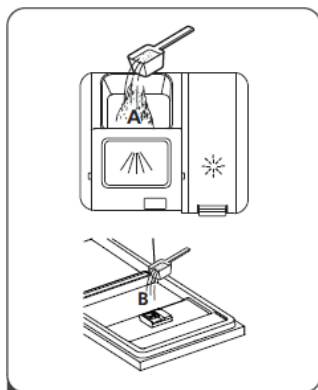
Напълване на чекмеджето за препарат за миене

Моля, изберете метод на отваряне в зависимост от конкретната ситуация.

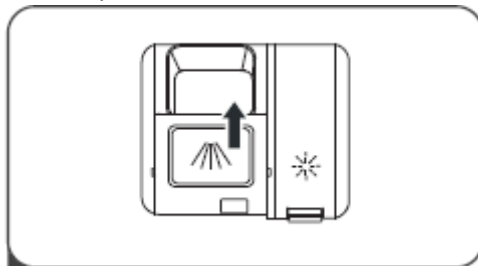
- A. Отворете капака чрез плъзгане на застопоряващото устройство.
- B. Отворете капака чрез натискане надолу на застопоряващото устройство.



Добавете препарат за миене в по-голямото отделение (А) за основния цикъл на измиване. За по-добър резултат от процеса на почистване, особено ако предметите са много замърсени, изсипете малко количество препарат за миене върху вратата. Допълнителното количество препарат за миене ще се активира по време на фазата на предварително измиване.



Затворете клапата, като я плъзнете напред и след това я натиснете надолу.



ЗАБЕЛЕЖКА:

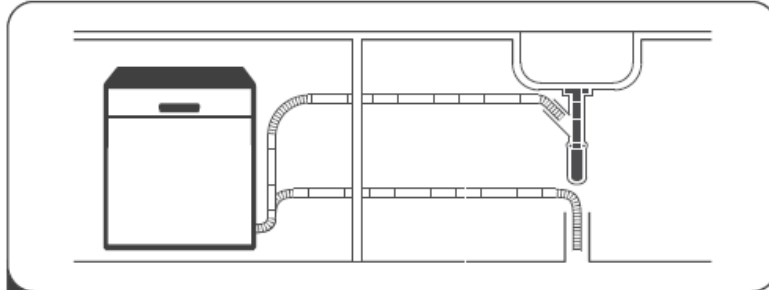
Моля, имайте предвид, че в зависимост от степента на замърсяване на водата, настройката може да е различна.

Моля, следвайте препоръките на производителя върху опаковката на препарата за миене.

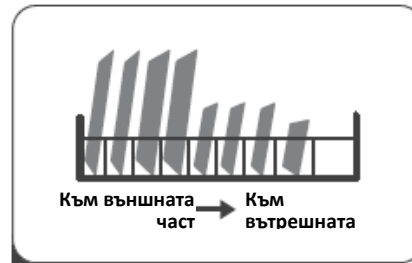
8. КРАТКО РЪКОВОДСТВО ЗА УПОТРЕБА

Моля, прочетете подходящото съдържание на наръчника с инструкции за подробен метод на употреба.

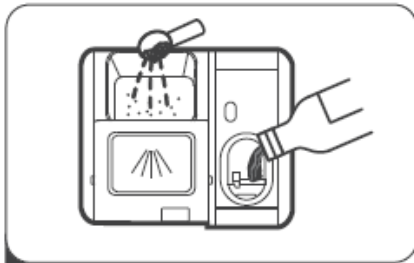
1. Инсталирайте съдомиялната машина.



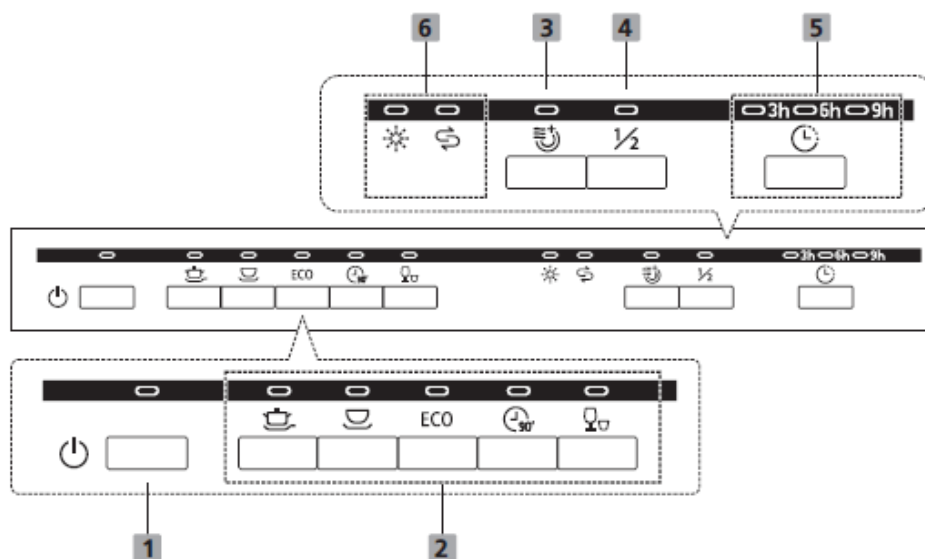
2. Отстранете по-големите хранителни остатъци от съдовете. Избягвайте предварителното изплакване.
3. Заредете кошниците.











4. Напълнете дозатора с препарат за миене и агент за изплакване.
5. Изберете подходяща програма и стартирайте съдомиялната машина.



9. КОНТРОЛЕН ПАНЕЛ







1. Захранване	Натиснете този бутон, за да включите съдомиялната машина.
2. Програма	<p> Интензивна За най-замърсените кухненски съдове и за посуда, тигани, тенджери, чинии и др. върху които има изсушена храна.</p> <p> Универсална За съдове с нормална степен на замърсяване, като леко замърсени тенджери, чинии, чаши и тигани.</p> <p>ECO ЕКО Това е стандартна програма. Подходяща е за почистване на кухненски съдове с нормална степен на замърсяване и е най-ефективната програма по отношение на комбинирания разход на електроенергия и вода за този тип кухненски съдове.</p> <p> 90 мин. За съдове с нормална степен на замърсяване, които изискват бързо измиване.</p> <p> Rapid (Кратка програма) По-кратка програма за измиване на леко замърсени съдове, които не изискват изсушаване.</p>
3. Допълнително изсушаване	За по-добър резултат от изсушаването. (Може да се използва само с програмите Интензивна, Универсална, ЕКО и 90 мин.)
4. Половинзареждане	Когато имате за измиване около половината или по-малко от целия комплект съдове, може да изберете тази функция, за да пестите електроенергия и вода. (Може да се използва само с програмите Интензивна, Универсална, ЕКО, Стъкло и 90 мин.)
5. Отлагане на началото на програма (Таймер)	Натиснете този бутон, за да настроите продължителността на таймера (3h/6h/9h).
Цифровият екран	

6. Индикатор за предупреждение	 Агент за изплакване Ако свети индикаторът „  “, това означава, че количеството агент за изплакване в пералната машина не е достатъчно.  Сол Ако свети индикаторът „  “, това означава, че количеството омекотяваща сол в пералната машина не е достатъчно.
--------------------------------	--

10. ТАБЛИЦА С ПРОГРАМИ

Таблицата по-долу показва кои са най-ефективните програми в зависимост от нивото на хранителни остатъци по съдовете и от необходимото количество препарат за миене. Също така представя различна информация за програмите. Стойностите относно продължителността на програмата и разхода на препарат за миене са само ориентировъчни, с изключение на програмата ЕКО.

- Показва, че програмата използва агент за изплакване при последното изплакване.

Програма	Описание на работния цикъл	Препарат за миене за предварително/основно измиване	Време за функциониране (мин)	Енергия (kWh)	Вода (L)	Агент за изплакване
 Intensive	Предварително измиване (50°C) Измиване (65°C) Изплакване Изплакване Изплакване (65°C) Изсушаване	<u>4/18 g</u> 1 or 2 таб	205	1.621	17.8	●
 Universal	Предварително измиване (45°C) Измиване (55°C) Изплакване Изплакване (65°C) Изсушаване	<u>4/18 g</u> 1 or 2 таб	175	1.302	14.3	●
ECO (*EN 60436)	Измиване (45°C) Изплакване Изплакване (60°C) Изсушаване	<u>4/18 g</u> 1 or 2 таб	220	0.951	11.0	●
 90 min	Измиване (60°C) Изплакване Изплакване (65°C) Drying	<u>22g</u> 1 таб	90	1.350	11.7	●
 Rapid	Измиване (50°C) Изплакване Изплакване (45°C)	20 g	30	0.751	11.2	○

ЗАБЕЛЕЖКА: Програмата ЕКО е подходяща за почистване на съдове с нормална степен на замърсяване, като за тази употреба е най-ефективната програма по отношение на комбинираната консумация на електроенергия и вода и се използва за оценка на съответствието със законодателството на ЕС за екодизайн.

1. Предварителното изплакване на съдовете води до увеличаване на консумацията на вода и електроенергия и не се препоръчва.
2. Измиването на съдове в домакинска съдомиялна машина обикновено използва по-малко електроенергия и вода по време на фазата на използване, отколкото ръчното измиване на съдове, когато домакинската съдомиялна машина се използва в съответствие с инструкциите.

Стартиране на програма

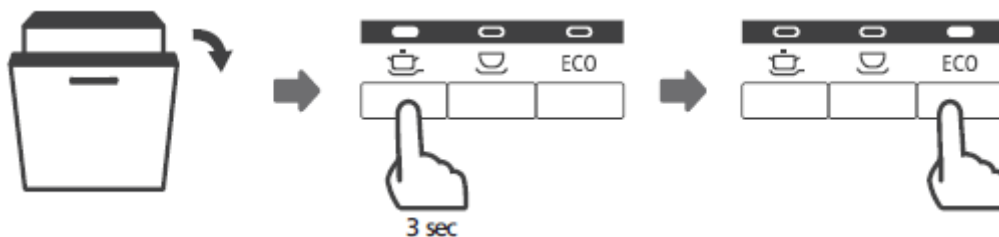
1. Издърпайте долната кошница и горната кошница, поставете съдовете в тях и ги бутнете обратно назад. Препоръчва се да зареждате първо долната кошница и след това горната.
 2. Изсипете препарат за миене.
 3. Включете щепсела в контакта. За информация относно източника на захранване вижте техническото описание на продукта.
- Уверете се, че захранването с вода е включено при пълно налягане.
4. Затворете вратата, след това натиснете бутона за захранване.
 5. Изберете програма и съответстващият индикатор ще светне. След това натиснете бутона Старт/Пауза и съдомиялната машина ще започне работния цикъл.

Смяна на програма по време на работния цикъл

Една програма може да бъде сменена само ако е била в действие само за кратко време, като в противен случай е възможно препаратът за миене да е освободен вече или водата за измиване с препарат за миене да е източена вече. В този случай съдомиялната машина трябва да се нулира и дозаторът за препарат за миене трябва да се презареди.

За да нулирате съдомиялната машина, следвайте инструкциите по-долу:

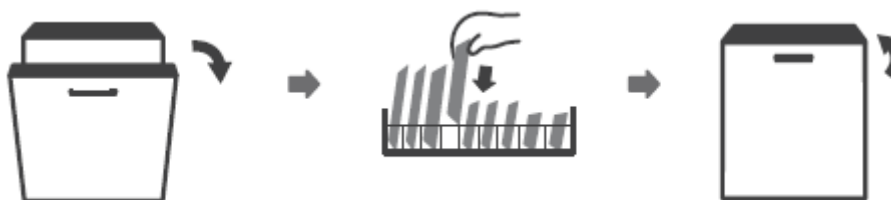
1. Отворете леко вратата, за да спрете съдомиялната машина. След като разпръсквачът спре, може да отворите напълно вратата.
2. Натиснете и задръжте натиснат един от програмните бутони за повече от три секунди и уредът ще активира режима за избор на програма.
3. Може да смените програмата според Вашите нужди.



Забравили сте да поставите една чиния?

Забравена чиния може да бъде добавена по всяко време преди отварянето на дозатора за препарат за миене. В този случай следвайте инструкциите по-долу:

1. Отворете леко вратата, за да спрете измиването.
2. След спиране на движението на разпръсквачите може да отворите напълно вратата.
3. Добавете забравените съдове.
4. Затворете вратата.
5. Съдомиялната машина ще започне да работи отново.



ПРЕДУПРЕЖДЕНИЕ!

Опасно е да отворите вратата по време на работния цикъл, тъй като горещата пара може да Ви опари.

Автоматично отваряне

След измиване вратата ще се отваря автоматично, за да се постигне по-висока ефективност на изсушаването.

ЗАБЕЛЕЖКА:

Вратата на съдомиялната машина не трябва да се блокира, когато е настроена да се отваря автоматично.

Това може да засегне функционирането на ключалката на вратата.

11. ПОЧИСТВАНЕ И ПОДДРЪЖКА

Опазване на външната част

Вратата и уплътнението на вратата

Почиствайте редовно уплътненията на вратата с мека и влажна попивателна кърпа, за да премахнете отлаганията от храни.

По време на зареждане на съдомиялната машина остатъците от храни и напитки може да се стичат по страничните части на вратата на съдомиялната машина. Тези повърхности се намират извън отделението за измиване, а водата от разпръсквачите не достига до тях. Евентуалните отлагания трябва да се избърсват преди да бъде затворена вратата.

Контролният панел

Ако е необходимо, контролният панел трябва да се избърсва само с мека и влажна попивателна кърпа.

Предупреждение:

- За да се избегне проникването на вода в ключалката на вратата и в електрическите компоненти, не използвайте никакви почистващи устройства с пулверизатор.
- В никакъв случай не използвайте абразивни почистващи препарати или телчета за съдове върху външните повърхности, тъй като може да надраскат покритието. Някои видове кухненска хартия може също така да надраскат повърхностите или да оставят следи по тях.

Опазване на вътрешната част

Система за филтриране

Системата за филтриране от основата на отделението за измиване задържа грубите остатъци от цикъла на измиване, включително чужди предмети като клечки за зъби или стъклени парченца. Събраните едри остатъци може да причинят запушване на филтрите. Проверявайте редовно състоянието на

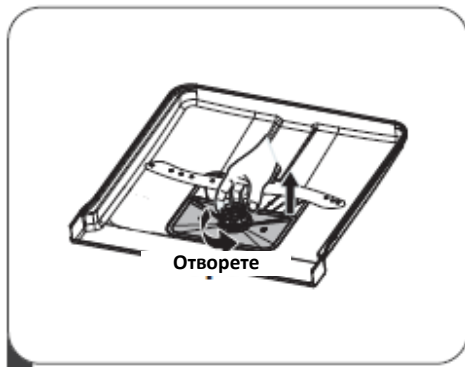
филтрите, отстранявайте внимателно чуждите предмети и, ако е необходимо, почиствайте с вода компонентите на системата за филтриране. Следвайте стъпките по-долу, за да почиствате филтъра.

ЗАБЕЛЕЖКА:

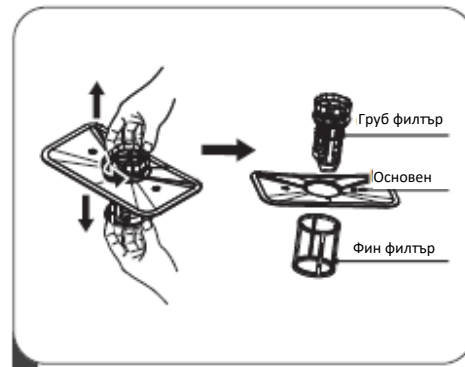
Изображенията са само за информационна цел. В зависимост от модела системите за филтриране и разпръсквачите може да са различни.

Стъпка 1: Хванете грубия филтър и го завъртете в обратна посока на часовниковите стрелки, за да го деблокирате. Вдигнете филтъра вертикално и го извадете от съдомиялната машина.

Стъпка 2: Финият филтър може да се извади от долната страна на филтърния модул. Грубият филтър може да се отдели от основния филтър, чрез леко затискане на елементите за захващане от горната страна и чрез негово издърпване.



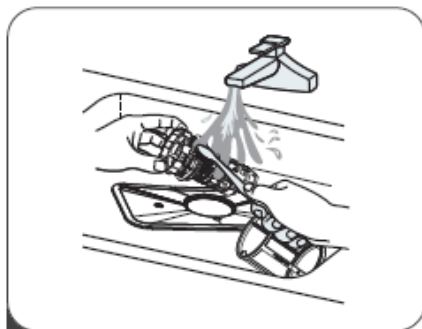
Стъпка 1



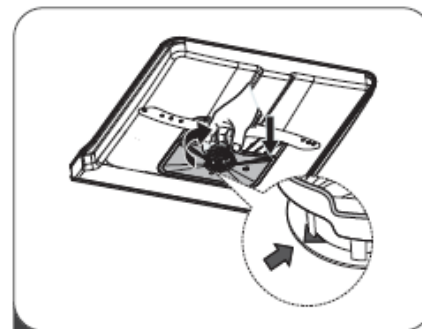
Стъпка 2

Стъпка 3: По-големите хранителни остатъци може да се отстраняват чрез изплакване на филтъра под водна струя. За по-щателно почистване използвайте мека почистваща четка.

Стъпка 4: Сглобете отново филтрите в обратен ред на разглобяването, сменете филтърния елемент и завъртете по посока на часовниковите стрелки до стрелката, която показва затварянето.



Стъпка 3



Стъпка 4

Предупреждение:

Не затягвайте филтрите прекалено много. Поставете филтрите обратно на място в съответстващия ред. В противен случай едрите остатъци може да проникнат в системата и да причинят запушване.

При никакви обстоятелства не използвайте съдомиялната машина, ако филтрите ѝ не са монтирани. Несъответстващата смяна на филтъра може да намали нивото на производителност на уреда и може да повреди съдовете и приборите за готвене.

Разпръсквачите

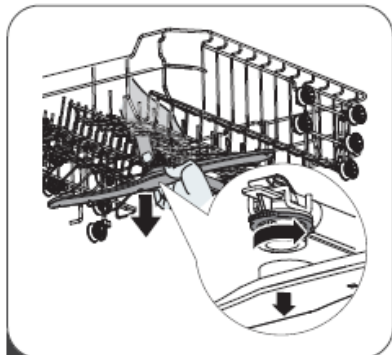
Необходимо е да почиствате редовно разпръсквачите, тъй като химичните вещества в твърдата вода може да запушат отворите и лагерите на разпръсквачите.

За да почиствате разпръсквачите, спазвайте инструкциите по-долу:

Стъпка 1: За да извадите горния разпръсквач, задръжте централната гайка неподвижна и завъртете разпръсквача в обратна посока на часовниковите стрелки.

Стъпка 2: За да извадите долния разпръсквач, издърпайте го нагоре.

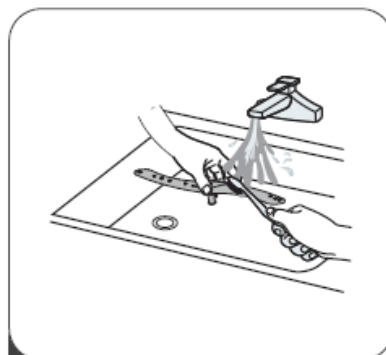
Стъпка 3: Измийте разпръсквачите в топла вода с препарат за миене и използвайте мека четка, за да почистите отворите за разпръскване.



Стъпка 1



Стъпка 2



Стъпка 3

Опазване на съдомиялната машина

Защитни мерки в случай на замръзване

През зимата е необходимо да се вземат мерки за защита от замръзване на съдомиялната машина. След всеки цикъл на измиване, моля, направете следното:

1. Изключете захранването с електроенергия на съдомиялната машина от източника на захранване.
2. Спрете захранването с вода и разкачете маркуча за захранване с вода от кранчето за вода.
3. Източете водата от маркуча за водоподаване и от вентила. (Използвайте съд, за да съберете водата.)
4. Свържете отново маркуча за захранване с вода към вентила.
5. Отстранете филтъра от долната страна на отделението за измиване и използвайте гъба, за да попиете водата.

След всяко измиване

След всяко измиване спирайте захранването с вода на уреда и оставете вратата леко отворена за известно време, за да не се натрупват влага и миризми във вътрешната част.

Изваждайте щепсела от контакта

Преди извършване на операции по почистване или поддръжка, изваждайте винаги щепсела от контакта.

Не използвайте разтворители или абразивни почистващи препарати.

За да почистите външните и гумените компоненти на съдомиялната машина, не използвайте разтворители или абразивни почистващи продукти. Използвайте само попивателна кърпа и топла вода с препарат за миене.

За да премахнете петната от вътрешната повърхност, използвайте попивателна кърпа, навлажнена с вода и малко оцет, или почистващ продукт, специално предназначен за съдомиялни машини.

В случай на неизползване за дълго време

Препоръчваме Ви да оставите машината да изпълни един цикъл на измиване без съдове, след което да извадите щепсела от контакта, да спрете захранването с вода и да оставите вратата на уреда леко отворена. По този начин ще удължите времето за експлоатация на гарнитурите за уплътнение на вратите, предотвратявайки образуването на миризми във вътрешността на уреда.

Преместване на уреда

Ако е необходимо да преместите уреда, опитайте се да го задържате във вертикално положение. При необходимост може да се позиционира на задната страна.

Гарнитурите за уплътнение

Един от факторите, които причиняват образуването на миризми в съдомиялната машина, е представен от храните, които остават захванати в гарнитурите. Редовното почистване с влажна гъба ще предотврати появата на това явление.

12. ОТСТРАНЯВАНЕ НА ПОВРЕДИ

Кодове за грешка	Значения	Възможни причини
Индикаторът „Rapid“ мига.	По-голяма продължителност на водоподаването.	Кранчето не е отворено, водоподаването е трудно или налягането на водата е твърде ниско.
Индикаторите „Rapid“ и „90 мин“ мигат.	Не се достига необходимата температура.	Неизправност на нагревателния елемент
Индикаторът „ЕКО“ мига.	Течове на вода.	Някои елементи на съдомиялната машина имат течове.
Индикаторите „Rapid“, „ЕКО“ и „Универсална“ мигат	Комуникационна грешка между основната дънна платка и дънната платка за цифровия екран	Отворена верига или прекъсване на комуникационното окабеляване

ПРЕДУПРЕЖДЕНИЕ

Ако възникне теч, спрете основното захранване с вода, преди да се обадите на службата за техническа помощ.

Ако има вода в отделението за измиване поради препълване или малък теч, водата трябва да се отстрани, преди да рестартирате съдомиялната машина.

Ако уредът показва код за грешка, който не може да бъде премахнат, моля, потърсете специализирана техническа помощ.

ОТСТРАНЯВАНЕ НА ПОВРЕДИ

Преди да се обадите за техническа помощ

Прегледът на таблиците на следващите страници може да Ви спести обаждането за техническа помощ.

Проблем	Възможни причини	Решения
Съдомиялната машина не се включва.	Предпазителят е изгорял или прекъсвачът се е задействал.	Сменете предпазителя или включете прекъсвача. Отстранете всички други уреди, които се захванват от същата верига като съдомиялната машина.
	Източникът на захранване не е включен.	Уверете се, че съдомиялната машина е включена и че вратата е плътно затворена. Уверете се, че щепселът на захранващия кабел е включен по съответстващ начин в стенния контакт.

	Водното налягане е ниско.	Проверете дали захранването с вода е свързано правилно и дали водата е пусната.
	Вратата на съдомиялната машина не е затворена правилно.	Уверете се, че сте затворили правилно вратата и че сте я заключили.
Водата не се изпомпва от съдомиялната машина.	Дренажният маркуч е усукан или запушен.	Проверете дренажния маркуч.
	Филтърът е запушен.	Проверете системата за филтриране.
	Канализацията на мивката е запушена.	Проверете мивката, за да се уверите, че канализацията ѝ е в добро състояние. Ако проблемът е мивката, чиято канализация не работи по съответстващ начин, може да се нуждаете по-скоро от водопроводчик, а не от специализиран техник за съдомиялни машини.
В отделението за измиване се образува пяна.	Неподходящ препарат за миене	Използвайте само специален препарат за миене за съдомиялни машини, за да избегнете образуването на пяна. В тази ситуация отворете съдомиялната машина и оставете пяната да се изпари. Добавете 1 литър студена вода в долната страна на съдомиялната машина. Затворете вратата на съдомиялната машина, след което изберете произволна програма за измиване. Първоначално, съдомиялната машина ще източи водата. След като етапът на източване приключи, отворете вратата и проверете дали пяната е изчезнала. Ако е необходимо, повторете процедурата.
	Разлят агент за изплакване	Избършете незабавно разлетите течности.
Във вътрешната част на отделението за измиване има петна.	Възможно е да е използван препарат за миене с оцветител.	Уверете се, че препаратът за миене не съдържа оцветител.
Бяло покритие по вътрешната повърхност	Минерали от твърда вода	За да почистите вътрешната част, използвайте влажна попивателна кърпа с препарат за миене за съдомиялни машини и носете гумени ръкавици. При никакви обстоятелства не използвайте препарат за миене, различен от този за съдомиялни машини. В противен случай може да причини появата на пяна.
По приборите за хранене се образуват петна от ръжда.	Засегнатите изделия не са устойчиви на корозия.	Избягвайте да измивате в съдомиялната машина предмети, които не са устойчиви на корозия.
	Не е стартирана програма след като е добавена омекотяваща сол. Останали са следи от сол в уреда по време на цикъла на измиване.	Стартирайте всеки път програма за измиване без съдове, след като добавите сол. Не избирайте функцията Turbo (ако има такава) след като сте добавили солта за съдомиялна машина.
	Капакът на омекотителя е разхлабен.	Проверете капака на омекотителя, за да се уверите, че е затворен плътно.

Проблем	Възможни причини	Решения
Чува се тракане в съдомиялната машина.	Разпръсквач се удря в предмет, който се намира в кошницата.	Прекъснете програмата и пренаредете изделията, които възпрепятстват функционирането на разпръсквача.
Чува се дрънчене в съдомиялната машина.	Съдовете не са позиционирани правилно в съдомиялната машина.	Прекъснете програмата и пренаредете съдовете.
Чука се тракане във водопроводните тръби.	Това може да се дължи на метода на монтаж или на напречното сечение на тръбите.	Това не оказва никакво влияние върху работата на съдомиялната машина. Ако имате съмнения, свържете се с квалифициран водопроводчик.
Съдовете не са чисти.	Съдовете не са заредени правилно.	Вижте ЧАСТ II „Подготовка и поставяне на съдовете“.
	Програмата не е била достатъчно мощна.	Изберете по-интензивна програма.
	Не е било заредено достатъчно количество препарат за миене.	Използвайте повече препарат за миене или сменете препарата.
	Някои изделия възпрепятстват движението на разпръсквачите.	Пренаредете изделията така, че разпръсквачът да може да се върти свободно.
	Филтърният модул не е чист или не е монтиран правилно в отделението за измиване. Това може да причини запушване на отворите на разпръсквача.	Почистете и/или монтирайте правилно филтъра. Почистете отворите на разпръсквача. Непрозрачен вид на стъклените изделия.
	Комбинация от вода с ниска твърдост и твърде много препарат за миене	Употребявайте по-малко препарат за миене, ако използваната вода е с ниска степен на твърдост, изберете по-кратка програма, за да измивате стъклените изделия и за да ги почиствате.
По съдовете и по чашите се появяват бели петна.	Твърдата вода може да причини варовикови отлагания.	Проверете настройките на омекотителя или количеството сол в контейнера за сол.
Черни или сиви петна по съдовете	Алуминиевите прибори за готвене са се търкали в съдовете.	Използвайте леко абразивен почистващ препарат, за да премахнете тези следи.
Останал препарат за миене в дозатора	Съдовете блокират дозатора за препарат за миене.	Презаредете съдовете по съответстващ начин.
	Зареждането е несъответстващо.	За да избегнете дразнене на кожата, използвайте ръкавици, ако има остатъци от препарат за миене по съдовете.
	Съдовете са извадени твърде бързо.	Не изпразвайте съдомиялната машина веднага след измиване. Отворете леко вратата, за да може да излезе парата. Извадете съдовете безопасно по отношение на температурата във

Съдовете не се изсушават.		вътрешността на уреда. Първо разтоварете долната кошница, за да предотвратите падането на вода от горната кошница.
	Избрана е неправилна програма.	В случай на кратка програма, температурата на измиване е по-ниска, което намалява ефективността на почистването. Изберете програма с дълго време за измиване.
	Използване на прибори за хранене с нискокачествено покритие	Източването на водата е по-трудно при тези изделия. Приборите за хранене или съдовете от този тип не може да се измиват в съдомиялна машина.

СЕРВИЗ И ОБСЛУЖВАНЕ НА КЛИЕНТИ

Използвайте само оригинални резервни части.

Когато се свързвате с нашия оторизиран сервизен център, уверете се, че имате под ръка следната информация: Наименование на модела и сериен номер.

Информацията може да бъде намерена на табелката с технически данни. Те подлежат на промяна без предварително уведомление.

ТЕХНИЧЕСКИ ДАННИ

Техническата информация се намира на табелката с технически данни на уреда и на енергийния етикет.

QR кодът на енергийния етикет, предоставен заедно с уреда, предлага уеб връзка към информацията в базата данни на EPREL относно постиженията на уреда.

Запазете енергийния етикет за бъдещи справки, заедно с ръководството за употреба и с всички други документи, предоставени заедно с този уред.

Също така, можете да намерите същата информация в базата данни на EPREL, като използвате връзката <https://eprel.ec.europa.eu> и наименованието на модела и серийния номер на продукта, които можете да намерите на табелката с технически данни на уреда.

За достъп до информация за вашия продукт в портала EPREL можете да сканирате кодовете по-долу:



Благодарим ви, че закупихте този продукт! Ако имате нужда от помощ във връзка с вашия продукт, посетете нашия уебсайт, като използвате връзките по-долу:

Получете ръководства за употреба: <https://www.heinner.ro>

Получете информация относно ремонтите: <https://www.heinner.ro>

**Изхвърляне на отпадъците по начин, отговорен за околната среда**

Можете да помогнете за опазването на околната среда!

Моля спазвайте местните разпоредби: Предайте нефункциониращото електрическо оборудване на център за събиране на отпадъци от електрическо оборудване.



HEINNER е регистрирана марка на компанията **Network One Distribution SRL**. Останалите търговски марки и наименованията на продуктите са търговски марки или регистрирани търговски марки на съответните им притежатели.

Нито една част от спецификациите не може да бъде възпроизвеждана под каквато и да е форма или средство, или използвана за получаване на производни като преводи, трансформации или адаптации, без предварителното съгласие на компанията NETWORK ONE DISTRIBUTION.

Copyright © 2013 Network One Distribution. Всички права запазени.

www.heinner.com, <http://www.nod.ro>

<http://www.heinner.com>, <http://www.nod.ro>



Този продукт е проектиран и произведен в съответствие със стандартите и нормите на Европейската общност.



Вносител: **Network One Distribution**

ул. Марчел Янку № 3-5, Букурещ, Румъния

Tel: +40 21 211 18 56, www.heinner.com, www.nod.ro

MOSOGATÓGÉP

Modell:

HDW-BIM60514E++



- Mosási kapacitás: 14 személyes
 - A programok száma: 5
- Energiahatékonysági besorolás: E

HEINNER

1. BEVEZETÉS

Kérjük, figyelmesen olvassa el az utasításokat, és őrizze meg a kézikönyvet későbbi tanulmányozás céljából. A kézikönyv célja a készülék beszerelésével, használatával és karbantartásával kapcsolatos minden szükséges tudnivalót rendelkezésére bocsátani. A készülék helyes és biztonságos használata érdekében, kérjük, hogy beszerelés és használat előtt olvassa el figyelmesen a használati kézikönyvet.

2. AZ ÖN CSOMAGJÁNAK TARTALMA

- ➔ **Mosogatógép**
- ➔ **Használati kézikönyv**
- ➔ **Jótállási bizonylat**

3. BIZTONSÁGRA VONATKOZÓ INFORMÁCIÓK

ÁLTALÁNOSÁGOK

A mosogatógép használatakor tartsa be az alábbi óvintézkedéseket:

- A beszerelési és javítási munkálatokat csak szakképzett szerelő végezheti.
- Ezt a készüléket lakásokban és más hasonló egységekben való használatra gyártották:
 - üzletek, irodák és más munkahelyek személyzetének konyhája.
 - farmok.
 - szállodák, motelek és más bentlakásos típusú környezet ügyfelei.
 - reggelit is felszolgáló panzió típusú környezet.
- Ezt a készüléket 8 éven felüli gyermekek és szellemileg fogyatékos- sérült vagy tapasztalattal nem rendelkező emberek csak akkor használhatják, ha az értük felelős személy felügyeli őket, illetve előzetesen megértette velük a készülék biztonságos használatát.
- A gyermekek nem játszhatnak a készülékkel. A tisztítást és karbantartást felügyelet alatt nem levő gyermekek nem végezhetik.
- A készülék nem használható csökkent értelmi, érzékszervi, vagy fizikai képességű személyek által (gyermekeket is beleértve), vagy olyanok által, akik nem rendelkeznek a kellő mennyiségű tudással és tapasztalattal, csak felügyelet mellett, vagy ha a felügyeletért és a biztonságukért felelős személy megtanította őket a helyes használatra.
- A csomagolóanyag veszélyes lehet a gyermekekre!
- A gyerekek esetében állandó felügyelet szükséges, ne engedje, hogy a készülékkel játszanak.
- Ezt a terméket kizárólag beltéri háztartási használatra gyártották.
- Az áramütés elkerülése érdekében soha ne helyezze vízbe vagy bármely más folyadékba a készülék talapzatát, tápkábelét vagy dugaszát.
- A készülék tisztítása és szervizelése előtt húzza ki a hálózati csatlakozót a hálózathoz. Egy puha ronggyal és kevés mosószeres vízzel törölje át a készüléket, majd száraz ronggyal törölje át újra.
- A veszélyek elkerülése érdekében, ha a hálózati kábel megsérül, azt a készülék hivatalos szervizének vagy hasonlóan képzett személyeknek kell kicserélniük.

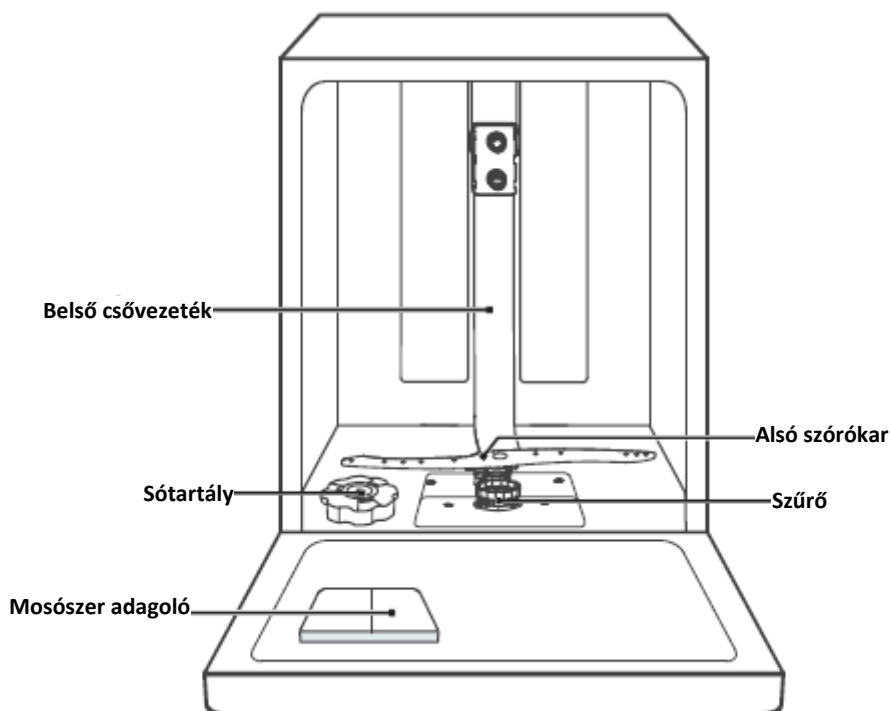
Földelésre vonatkozó utasítások

- Ezt a készüléket földelni kell. Meghibásodás vagy hibás működés esetén a földelés csökkenti az áramütés kockázatát, mivel a legkisebb ellenállású áramútvonalat biztosítja az elektromos áram számára. Ez a készülék földelővezetős aljzattal van felszerelve.
- Az aljzatot megfelelő konnektorhoz kell csatlakoztatni, a helyi szabályoknak és előírásoknak megfelelően kell felszerelni és földelni.
- A földelővezeték nem megfelelő csatlakoztatása áramütés veszélyét eredményezheti.
- Ha kétségei vannak a készülék megfelelő földelésével kapcsolatban, forduljon szakképzett villanyszerelőhöz vagy a szerviz képviselőjéhez.
- Ne módosítsa a készülékhez mellékelt csatlakozódugót, ha az nem illik a konnektorba.
- Kérjen meg egy szakképzett villanyszerelőt, hogy szereltesse be egy megfelelő csatlakozódugót.
- Ne rongálja a mosogatógépet, és ne álljon rá az ajtóra vagy a fogásra.
- Ne működtesse a mosogatógépet, amíg az összes védőpanel nincs a megfelelő helyzetben.
- Óvatosan nyissa ki az ajtót, ha a mosogatógép fut, mert fennáll a veszélye, hogy víz szivárog ki a készülékből.
- Ne tegyen nehéz tárgyakat az ajtóra, és ne álljon rá, amikor az ajtó nyitva van. Fennáll a veszélye, hogy a készülék felborul.
- A mosandó tárgyak behelyezésekor:
 - 1) Helyezzen el éles tárgyakat úgy, hogy azok ne sértsék meg az ajtó tömítését.
 - 2) Figyelmeztetés: A késeket és más éles tárgyakat úgy kell a kosárba helyezni, hogy a hegyük lefelé nézzen vagy laposan feküdjön.
- Egyes mosogatószerek magas lúgtartalommal rendelkeznek. Ezek lenyelése rendkívül veszélyes lehet. Kerülje a bőrrel és a szemmel való érintkezést, és ne engedjen gyerekeket a mosogatógép közelébe, amikor a mosogatógép ajtaja nyitva van.
- Ügyeljen arra, hogy a mosóprogram befejezése után ne maradjon mosószer maradvány a készülékben.
- Ne mosson műanyag tárgyakat, kivéve, ha azokon a "mosogatógépben mosható" vagy azzal egyenértékű jelölés szerepel.
- A nem jelölt műanyag tárgyak esetében ellenőrizze a gyártó ajánlásait.
- Csak olyan mosó- és öblítő szert használjon, amelyet automata mosogatógépben való használatra ajánlanak.
- Soha ne használjon szappant, mosószert vagy kézmosószert a mosogatógépben.
- Az ajtót nem szabad nyitva hagyni, mivel ez növelheti a botlásveszélyt.
- A beszerelés során a tápkábelt nem szabad erőltetni vagy összenyomni.
- Ne módosítsa a készülék kezelőgombjait.
- A készüléket új tömlőkkel kell a fő vízcsaphoz csatlakoztatni. A régi tömlőket nem szabad újra felhasználni.
- Az energiatakarékosság érdekében a készülék készenléti üzemmódban 15 perc után automatikusan kikapcsol, a felhasználó beavatkozása nélkül.
- A mosható edénykészletek maximális száma 14 db.
- A maximálisan megengedett víznyomás a bemenetnél 1 MPa.
- A legkisebb megengedett bemeneti víznyomás 0,04 MPa.

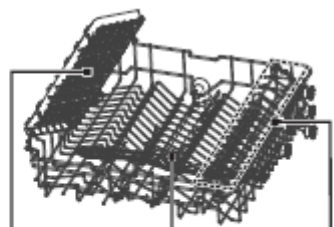
4. A TERMÉK LEÍRÁSA

FONTOS!

Ahhoz, hogy a mosogatógép a lehető legjobb teljesítményt nyújtsa, az első használat előtt olvassa el az összes használati utasítást.



Kíméletes kosár



Kíméletes állván

Felső szórókar

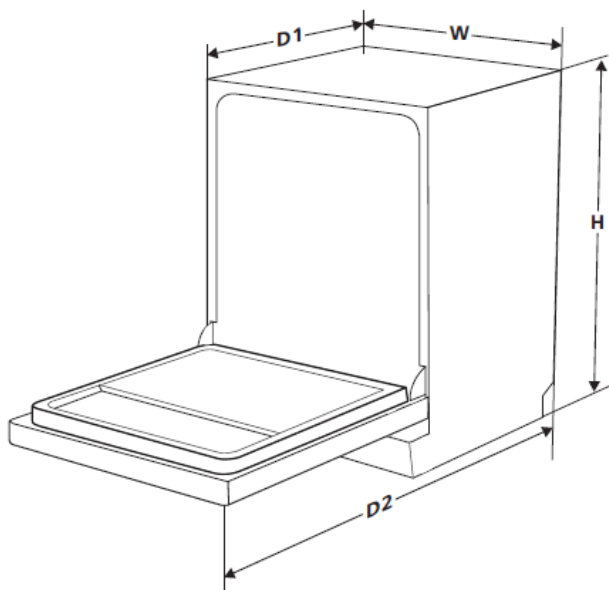
Csésze állvány

Felső kosár



Polc poharak számára

5. MŰSZAKI ADATOK



Magasság (H)	820 mm
Szélesség (W)	600 mm
Mélység (D1)	550 mm (zárt ajtóval)
Mélység (D2)	1150 mm (90°-ban nyitott ajtóval)

6. BESZERELÉS

FIGYELMEZTETÉS!

Áramütés veszélye!

A mosogatógép beszerelése előtt válassza le a tápellátást.

Ennek elmulasztása halált vagy áramütést okozhat.

FIGYELEM

Az elektromos vezetékek és berendezések felszerelését szakképzett személyzetnek kell végeznie.

A villamosenergia-hálózathoz való csatlakozással kapcsolatos információk

FIGYELMEZTETÉS!

Az emberek biztonsága érdekében:

Ne használjon hosszabbítót vagy hálózati adaptert ehhez a készülékhez.

Ne vágja le, és semmilyen módon ne távolítsa el a tápkábelbe épített földelő érintkezőt.

Villamosenergia-ellátási követelmények

A névleges feszültséget a műszaki adatok címkéjén találja meg, kérjük, csatlakoztassa a mosogatógépet a megfelelő tápegységhez. Használjon megfelelő 10A/13A/16A biztosítékot, időzített biztosítékot vagy ajánlott megszakítót, valamint gondoskodjon arról, hogy külön áramkör álljon rendelkezésre, amely csak ezt a készüléket táplálja.

Csatlakozás az elektromos hálózathoz

Győződjön meg arról, hogy a tápfeszültség és a frekvencia megfelel az adattáblán megadottaknak. A csatlakozóaljzatot csak megfelelően földelt konnektorba dugja be. Ha a konnektor, amelyhez a készüléket csatlakoztatni kell, nem alkalmas a készülékhez mellékelt aljzathoz, cserélje ki a konnektort, és ne használjon adaptert vagy más hasonló eszközt, mert ezek túlmelegíthetik a készüléket, és égési sérüléseket okozhatnak.

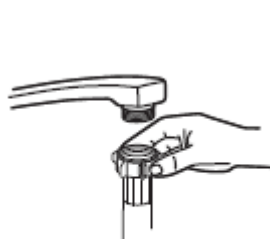
A termék használata előtt gondoskodjon a megfelelő földelésről.

Vízellátás és vízelvezetés

Hidegvíz csatlakoztatás

Csatlakoztassa a hidegvíz-ellátó tömlőt egy 3/4 (inch) menetes szerelvényhez, és győződjön meg róla, hogy az biztosan rögzítve van.

Ha a vízvezetékek újak vagy hosszú ideig nem használták, hagyja egy ideig folyni a vizet, hogy meggyőződjön arról, hogy a víz tiszta. Erre az elővigyázatosságra azért van szükség, hogy elkerülje a vízbevezetés eltömődésének és a készülék károsodásának kockázatát.



klasszikus vízellátó cső



biztonsági vízellátó cső

A biztonsági vízellátó csőre vonatkozóan

A biztonsági vízellátó cső duplafalú. A rendszer úgy avatkozik be, hogy elzárja a víz áramlását, ha a tápcső elszakad, illetve ha a tápcső és a külső flexibilis tömlő közötti tér megtelt vízzel.

FIGYELMEZTETÉS!

A csaphoz csatlakoztatott tömlő elrepedhet, ha ugyanarra a vízvezetékre van felszerelve, mint a mosogatógép. Ha az Ön mosogatója ilyen kialakítású, ajánlott a tömlőt leválasztani és a lyukat betömni.

A biztonsági vízellátó cső csatlakoztatása

1. Vegye ki a biztonsági vízellátó csöveket a mosogatógép hátsó részén lévő tárolórekeszből.
2. Húzza meg a 3/4 hüvelykes menetes csaptelepen lévő biztonsági tápcsövek csavarjait.
3. A mosogatógép elindítása előtt nyissa ki teljesen a vízcsapot.

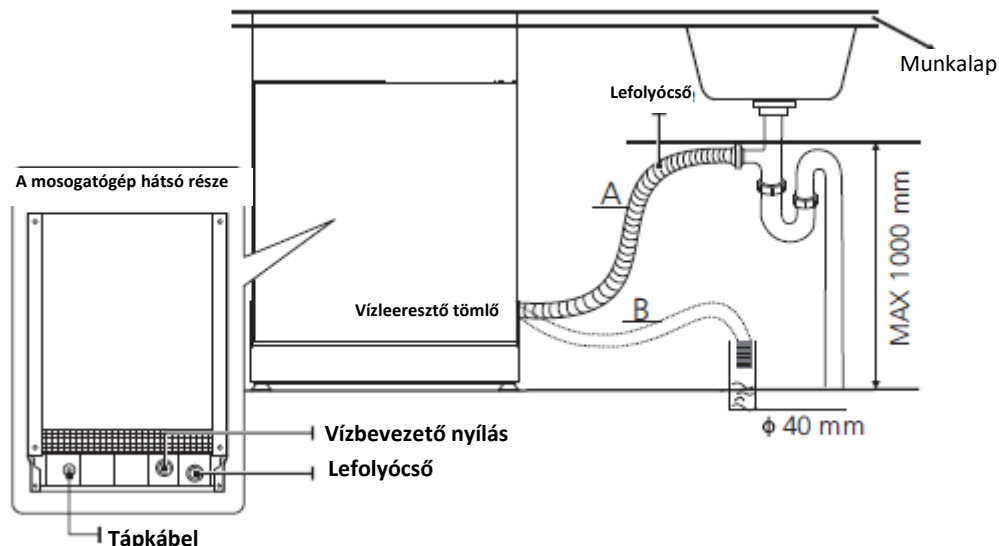
A biztonsági vízellátó cső leválasztása

1. Zárja el a vízcsapot.
2. Csavarja le a biztonsági tápcsövet a csapról.

Lefolyótömlők csatlakoztatása

Helyezze a lefolyótömlőt egy legalább 4 cm átmérőjű lefolyócsőbe, vagy engedje a mosogatóba, ügyelve arra, hogy ne görbüljön meg vagy ne gyűrődjön meg. A lefolyócső magasságának 1000 mm-nél kisebbnek kell lennie. A visszaáramlás elkerülése érdekében a tömlő szabad vége nem merülhet vízbe.

Kérjük, rögzítse a leeresztő tömlőt az A vagy a B pozícióban



A felesleges víz leeresztése a tömlőkből

Ha a lefolyócső csatlakozása 1000 mm-nél magasabban van elhelyezve, felesleges víz maradhat a lefolyócsőben. A felesleges vizet a lefolyócsőből egy tálba vagy megfelelő edénybe kell leengedni, amelyet kint tartanak, és amely alacsonyabb magasságban van, mint a mosogató.

Vízvezető nyílás

Csatlakoztassa a vízleeresztő tömlőt. A tömlőt helyesen kell felszerelni a vízszivárgás elkerülése érdekében. Ügyeljen arra, hogy a vízvezető tömlő ne legyen elgömbülve vagy összenyomva.

Hosszabbító tömlő

Ha hosszabbító tömlőre van szüksége a vízvezető tömlőhöz, mindenképpen hasonló tömlőt használjon. Nem lehet hosszabb 4 méternél, különben csökkenhet a mosogatógép tisztító hatása.

Szifon csatlakozás

A vízvezető csatlakozásnak a mosogatógép aljától legfeljebb 1000 mm-re kell lennie.

A készülék elhelyezése

Helyezze a gépet a kívánt helyre. A hátlapnak a hátsó falnak kell támaszkodnia, az oldalaknak pedig a szomszédos szekrények vagy falak mentén kell elhelyezkedniük. A mosogatógép vízellátó és lefolyó tömlőkkel van felszerelve, amelyek a megfelelő telepítés megkönnyítése érdekében a jobb vagy a bal oldalon is elhelyezhetők.

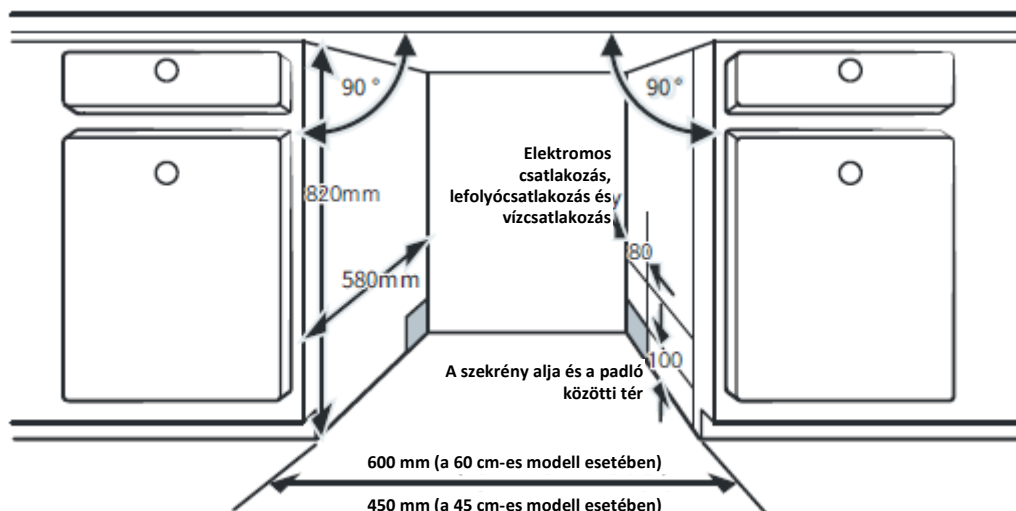
A készülék beépítése

1. lépés. A mosogatógép legjobb helyének kiválasztása

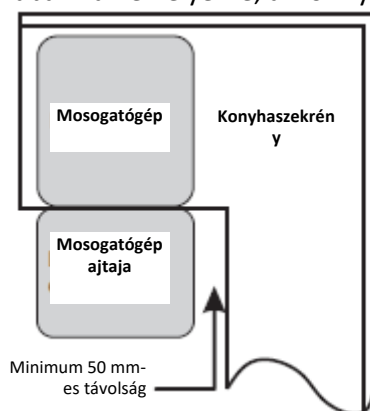
A mosogatógép beszerelési helyének a bemeneti tömlő, a kimeneti tömlő és a hálózati csatlakozó közelében kell lennie.

A szekrény méreteinek és a mosogatógép beépítési helyének illusztrációi.

1. A mosogatógép teteje és a szekrény között kevesebb, mint 5 mm van, és a külső ajtó a szekrényrel egy vonalban van.



2. Ha a mosogatógép a szekrény sarkában van elhelyezve, akkor nyitott ajtónál maradjon némi hely.



MEGJEGYZÉS:

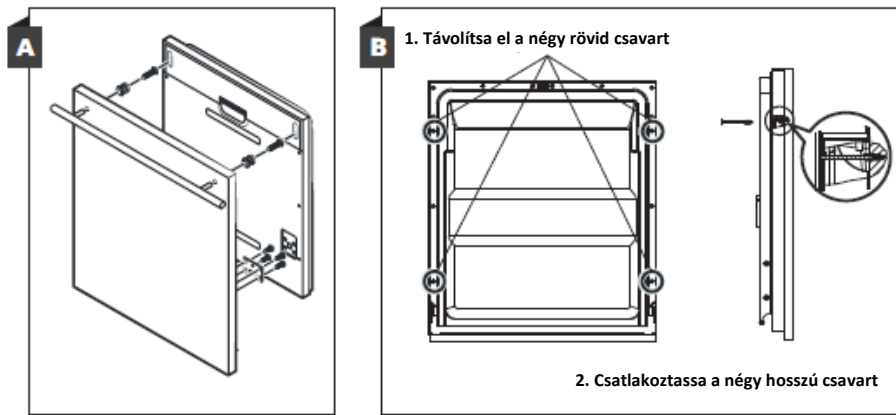
Attól függően, hogy hol található a konnektor, előfordulhat, hogy a szekrény ellentétes oldalán nyílást kell vágni.

2. Lépés A díszítőpanel méretei és felszerelése

Kövesse a díszítőpanel rögzítésére vonatkozó specifikus felszerelési utasításokat.

Teljesen beépített modell

Szerelje fel a horgot a díszítőpanelre, és illessze be a horgot a mosogatógép külső ajtajának nyílásába (lásd az A ábrát). A panel elhelyezése után rögzítse a panelt a külső ajtóhoz a csavarok és kötőelemek segítségével (lásd a B ábrát).

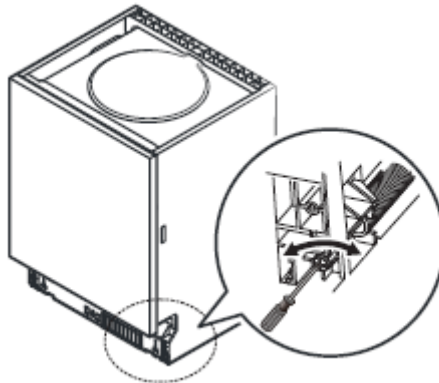


3. Lépés Ajtórugó feszességének beállítása

1. Az ajtórugók gyárilag a külső ajtónak megfelelő feszességre vannak beállítva. Ha dekoratív paneleket szerelnek fel, akkor az ajtórugó feszességét be kell állítani.

Az állítócsavart elforgatva működtesse az állítót az acélzsinór megfeszítéséhez vagy lazításához.

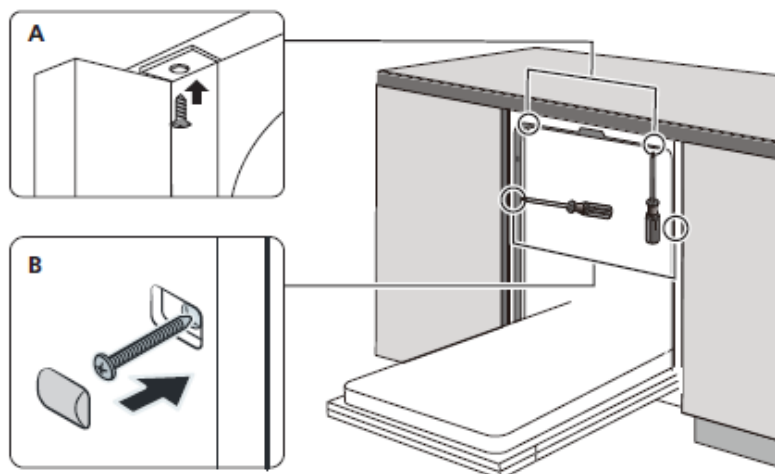
2. Az ajtórugó feszítése akkor megfelelő, ha az ajtó teljesen nyitott állapotban vízszintes helyzetben marad, de egy ujjal történő enyhe mozdulattal felemelkedik és becsukódik.



4. Lépés A mosogatógép telepítésének lépései

Kérjük, olvassa el a telepítési rajzokon található konkrét telepítési lépéseket.

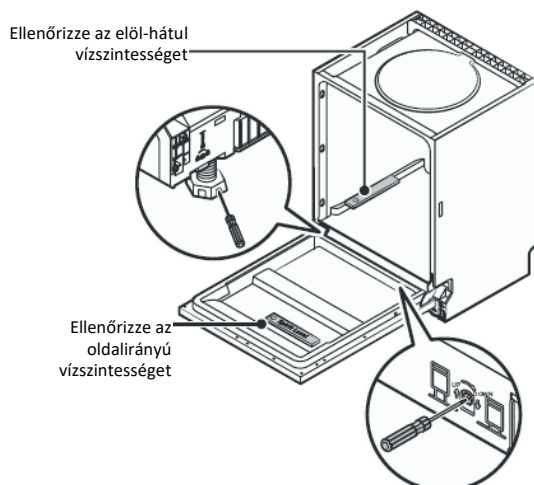
- Rögzítse a kondenzációgátló szalagot a felső szekrény teteje alatt. Ügyeljen arra, hogy a kondenzációgátló szalag egy vonalban legyen a felső munkalap szélével (2. lépés).
- Csatlakoztassa a bemeneti tömlőt a hidegvíz-ellátáshoz.
- Csatlakoztassa a vízvezető tömlőt.
- Csatlakoztassa a tápkábelt.
- Helyezze a mosogatógépet a szekrénybe.
- A mosogatógép stabilizálása A hátsó láb a mosogatógép elejéről állítható a mosogatógép talpának közepén lévő keresztfejű csavar elforgatásával, egy keresztfejű csavarhúzó segítségével. Az elülső lábak beállításához használjon egy soros csavarhúzót, és forgassa el az elülső lábakat, amíg a mosogatógép egyensúlyba nem kerül (az 5. lépéstől a 6. lépésig).
- Szerelje fel a bútortest ajtaját a mosogatógép külső ajtajára (a 7. lépéstől a 10. lépésig).
- Állítsa be az ajtó rugófeszítését az óramutató járásával megegyező irányba forgatva egy Phillips csavarhúzóval a bal és a jobb oldali ajtórugó megfeszítéséhez. Ennek elmulasztása a mosogatógép károsodását eredményezheti (11. lépés).
- A mosogatógépet rögzíteni kell a helyén. Ennek két módja van:
 - Normál munkalap: Helyezze be a szerelőhorgot az oldalsó síkban lévő nyílásba, és rögzítse a csavarokkal a munkalaphoz.
 - Márvány vagy gránit munkalap: Rögzítse az oldalsó részt a csavarokkal.



5. lépés. A mosogatógép stabilizálása

A mosogatógépnek stabilnak kell lennie az edénytartó helyes működéséhez és az optimális mosási teljesítményhez.

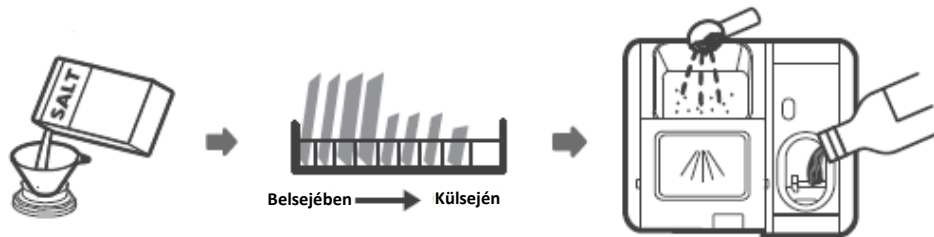
1. Helyezzen egy vízmértéket az ajtóra és a tartályban lévő fogaslécra a képen látható módon, hogy ellenőrizze, hogy a mosogatógép vízszintes-e.
2. Stabilizálja a mosogatógépet a három állítható láb egyenkénti beállításával.
3. A mosogatógép stabilizálásakor ügyeljen arra, hogy a mosogatógép ne boruljon fel.



MEGJEGYZÉS: A lábak maximális magassági beállítása 50 mm.

7. MOSOGATÓGÉP HASZNÁLATA

A mosogatógép használata előtt:



1. Állítsa be a vízlágyító szintjét.
2. Helyezze a vízlágyítósót a külön erre a célra szolgáló rekeszbe.
3. Töltse meg a kosarat.
4. Töltse meg a mosószeres rekeszt.

Lágyítósó adagolása az erre a célra kialakított külön rekeszbe

MEGJEGYZÉS!

Ha az Ön készülékmodellje nem rendelkezik lágyítósó rekeszrel, akkor ezt a szakaszt kihagyhatja.

- Mindig a mosogatógépben való használatra szánt lágyítósót használjon.
- A sórekesz az alsó kosár alatt található, és az alábbiak szerint kell feltölteni:

FIGYELMEZTETÉS!

Csak olyan lágyítósót használjon, amelyet kifejezetten a mosogatógépben való használatra terveztek!

Bármilyen más, nem kifejezetten a mosogatógépbe szánt só, különösen az asztali só, károsítja a vízlágyító rendszert. A nem megfelelő só használata által okozott károk esetén a gyártó nem vállal garanciát és nem felel az okozott károkért.

Csak a program indítása előtt tegyen sót a tartályba.

Ez biztosítja, hogy a sószemcsék vagy a sós víz ne maradjon hosszabb ideig a készülék alján, ami korrózióhoz vezethet.

Kérjük, kövesse az alábbi lépéseket a lágyítósó mosogatógépbe adagolásához:




1. Vegye ki az alsó kosarat, és csavarja le a tartály fedelét.
2. Helyezze a tölcser végét (ha mellékelve van) a lyukba, és öntsön bele körülbelül 1,5 kg lágyítósót.
3. Töltse fel a sórekeszt maximálisan vízzel. Normális, hogy a sórekeszből kis mennyiségű víz folyik ki.
4. A tartály feltöltése után csavarja rá szorosan a fedelet.
5. Az alacsony sószintre figyelmeztető jelzés kialszik, miután a tartály megtelik sóval.
6. Az alacsony sószintre figyelmeztető jelzés kialszik, miután a tartály megtelik sóval.

A tartály sóval való feltöltése után azonnal el kell indítani egy öblítési programot (javasoljuk, hogy

rövid programot használjon), különben a szűrőrendszer, a szivattyú vagy a készülék más fontos alkatrészei megsérülhetnek a sós víz miatt. Az ilyen károokra a garancia nem terjed ki.

MEGJEGYZÉS:

- A sórekeszt csak akkor szabad újratölteni, amikor a kezelőpanelen az alacsony sószintre figyelmeztető jelzés () kigyullad. Attól függően, hogy a só milyen jól oldódik, a sóhiányra figyelmeztető jelzés akkor is világit, ha a sórekeszt megtelt.
Ha a kezelőpanelen (egyes modelleknél) nincs alacsony sószintre figyelmeztető jelzés, akkor a használt mosási programoktól függően megbecsülheti, hogy mikor kell sót adagolni.
- Ha a só szétszóródott, indítson el egy áztatóprogramot vagy egy gyorsmosási programot a só eltávolítása érdekében.

Kosarak feltöltésére vonatkozó tanácsok

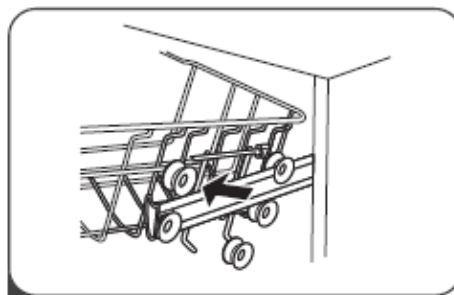
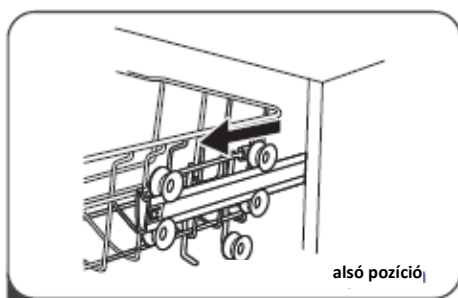
Felső kosár beállítása

1. típus:

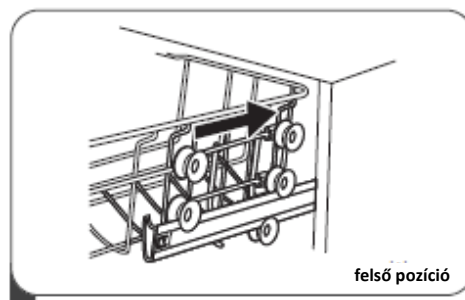
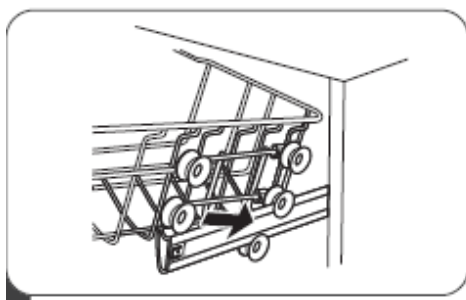
A felső kosár magassága könnyen állítható, így a magasabb edények is elhelyezhetők a felső vagy az alsó kosárban.

A felső kosár magasságának beállításához a következőképpen járjon el:

1. Húzza ki a felső kosarat
2. Vegye ki a felső kosarat



3. Illessze vissza a felső kosarat a felső vagy az alsó görgőkhöz.
4. Nyomja befelé a felső kosarat.



Pohárpalc felhajtása

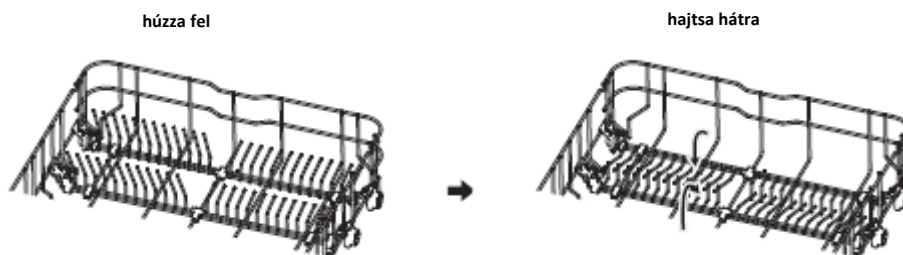
Ahhoz, hogy a felső kosárban helyet csináljon a magasabb tárgyaknak, felemelheti a pohártartót. Ezután a magas poharakat megtámaszthatja neki.



Az alsó kosár rúdjaainak összecsuksása

Az alsó kosár rúdjai a tányérok és egy tál tartására szolgálnak.

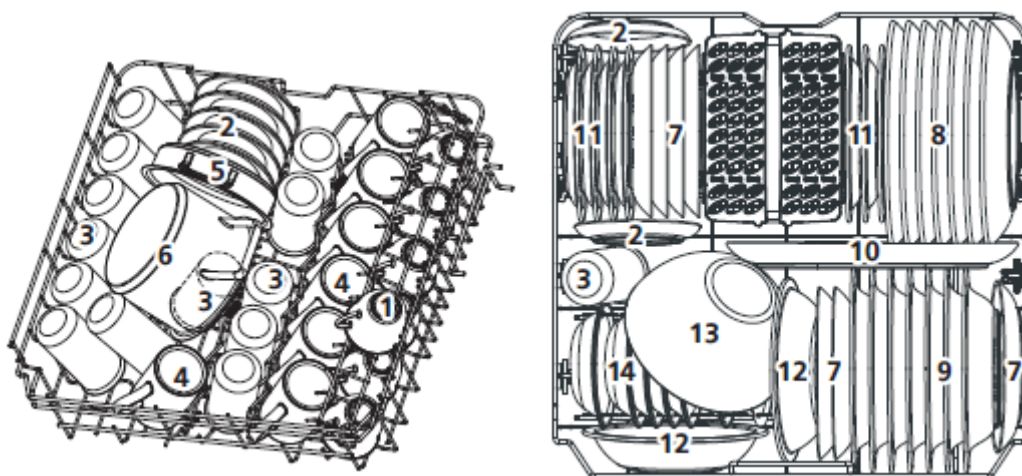
Leengedhetők, hogy nagyobb helyet biztosítsanak a nagyméretű tárgyak számára.



A kosarak betöltése (az EN60436 szabvány szerint)

Ha a mosogatógépet teljes kapacitással tölti be, az segít energiát és vizet megtakarítani.

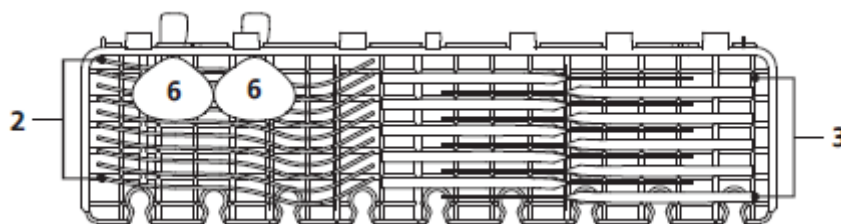
Felső és alsó kosár



Szám	Cikk
1	Csészék
2	Tányérok
3	Poharak
4	Bögrék
5	Sütőedény
6	Kisebb edény

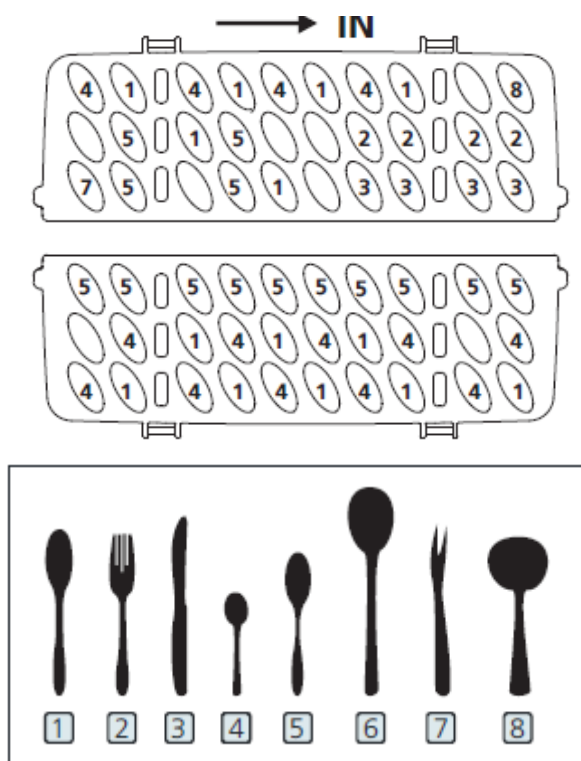
Szám	Cikk
7	Desszertes tányérok
8	Étkező tányérok
9	Leveses tányérok
10	Ovális tálalótál
11	Melamin desszertes tányérok
12	Melamin tálak
13	Üveg tálak
14	Desszertes tálak
15	Evőeszköz kosár

Evőeszköz állvány



MEGJEGYZÉS! Kérjük, könnyű, lapos tárgyakat helyezzen az állványra. A rakomány maximális súlya 1,5 kg.

Evőeszköz kosár



Szám	Cikk
1	Leveseskanalak
2	Villák
3	Kések
4	Kanalak
5	Desszertes kanalak
6	Tálalókanalak
7	Tálalóvillák
8	Szószos merőkanalak

Evőeszköz kosár

Az EN60436 szerinti összehasonlíthatósági vizsgálatához szükséges információk

Kapacitás: 14 edénykészlet

Felső kosárhelyzet: alsó helyzet

Program: ECO

Öblítőszer beállítása: Max

Lágyítószer beállítása: H3

Vízlágyító rendszer

A vízlágyító rendszert kézzel kell beállítani a vízkeménységjelző gomb segítségével

A vízlágyító rendszert úgy tervezték, hogy eltávolítsa a vízből azokat az ásványi anyagokat és sókat, amelyek negatív hatással lennének a készülék működésére.

Minél több ásványi anyag van jelen, annál keményebb a víz.

A vízlágyító rendszert az Ön területén található víz keménységének megfelelően kell beállítani.

A helyi vízügyi hivatal tud tájékoztatást adni a területére jellemző vízkeménységről.

A sóadagolás szabályozása

A mosogatógépet úgy tervezték, hogy a felhasznált só mennyisége a használt víz keménységének megfelelően állítható. A cél a sófogyasztás optimalizálása és testre szabása.

Kérjük, kövesse az alábbi lépéseket a sóadagolás beállításához.

1. Nyissa ki az ajtót, kapcsolja be a készüléket.
2. A készülék elindítását követő 60 másodpercen belül nyomja meg és tartsa lenyomva a Rapid gombot több mint 5 másodpercig a vízlágyító beállítási funkció aktiválásához.
3. Nyomja meg a Rapid gombot a helyi viszonyoknak megfelelő beállítás kiválasztásához; a beállítás a következő sorrendben változik: H1->H2->H3->H4->H5->H6.
4. Nyomja meg a bekapcsológombot a beállítási funkció kikapcsolásához.

Víz keménysége.				Vízkeménységi szint.	A regenerálódás minden X programban megtörténik ¹⁾	Sófogyasztás (gramm /mosási ciklus)
Német keménység *dh	Francia keménység *fh	Brit keménység *Clarke	Mmol/l			
0-5	0-9	0-6	0-0,94	H1-> „Gyors” jelzőfény kigyullad	Regenerálás nélkül	0
6-11	10-20	7-14	1,0-2,0	H2-> „90 perc” kijelző világít	10	9
12-17	21-30	15-21	2,1-3,0	H3-> „90 perc” és "Gyors" kijelzők világítanak	5	12
18-22	31-40	22-28	3,1-4,0	H4-> „ECO” jelzőfény világít	3	20
23-34	41-60	29-42	4,1-6,0	H5-> „ECO” és „Gyors” kijelzők világítanak	2	30
35-55	61-98	43-69	6,1-9,8	H6-> „ECO” és „90 perc” kijelzők világítanak	1	60

1°dH=1,25°Clarke=1,78 °fH=0,178mmol/l

Gyári beállítás: H3

¹⁾ Minden regeneráló mosási ciklus 2,0-liter plusz vizet fogyaszt, az energiafogyasztás 0,02 kWh-val nő, és a program 4 perccel meghosszabbodik.

MEGJEGYZÉS!

Ha az Ön készülékmodellje nem rendelkezik lágyítósó rekesszel, akkor ezt a szakaszt kihagyhatja.

Vízlágyító rendszer

A víz keménysége helyenként eltérő. Ha kemény vizet használ a mosogatógépben, az edényeken és az eszközökön lerakódások képződnek.

A gép speciális vízlágyítóval rendelkezik, amely egy speciálisan kialakított sótartály segítségével távolítja el a vízből a vízkő és az ásványi anyagokat.

Az edények előkészítése és elhelyezése

- Fontolja meg olyan edények vásárlását, amelyek mosogatógépben mosogatóra alkalmasnak vannak jelölve.
- Bizonys típusú tárgyakhoz válassza a lehető legalacsonyabb hőmérsékletű programot.
- A sérülések elkerülése érdekében ne vegye ki a poharakat és evőeszközöket a mosogatógépből közvetlenül a program befejezése után.

A következő evőeszközök/edények mosásához

Nem alkalmas:

- Evőeszközök fa, csont vagy gyöngyház nyéllel;
- Nem hőálló műanyag tárgyak;
- Régebbi evőeszközök ragasztott alkatrészekkel, amelyek nem hőállóak;
- Forrasztással ellátott evőeszközök vagy edények;
- Ón- vagy réztárgyak;
- Kristályüveg;
- Rozsdának kitett acéltárgyak;
- Fából készült edények;
- Szintetikus szálakból készült tárgyak.

Korlátozottan alkalmasak:

- Egyes szemüvegtípusok nagyszámú mosás után tompává válhatnak;
- Az ezüst és alumínium alkatrészek hajlamosak elszíneződni a mosás során;
- A zománcozott díszek elszíneződhetnek, ha gyakran mosogatják őket a mosogatógépben.

A mosogatógép betöltésére vonatkozó ajánlások

Távolítsa el az edényekről a nagy mennyiségű ételmaradékot. Áztassa ki a serpenyőkből az odaégett ételmaradékokat. Az edényeket nem szükséges folyó víz alatt öblíteni.

A mosogatógép optimális működése érdekében kövesse az alábbi betöltési tippeket (a kosarak és evőeszközkosarak jellemzői és megjelenése az Ön modelljénél eltérő lehet).

A mosogatógépbe az alábbiak szerint helyezze be a tárgyakat:

- A tárgyak, például bögrék, poharak, edények, serpenyők stb. legyenek lefelé fordítva.
- Az ívelt vagy mélyedésekkel rendelkező tárgyakat ferdén kell a gépbe helyezni, hogy a víz le tudjon folyni.
- Minden használati tárgyat biztonságosan rakjon egymásra, és ne borulhasson fel.
- Minden edényt biztonságosan kell elrakni, hogy ne borulhasson fel.
- Az olyan tárgyakat, mint a csészék, poharak, serpenyők stb. a kifolyónyílással lefelé rakja be, hogy a víz ne tudjon összegyűlni a belsejében.
- A tányérokat és evőeszközöket nem szabad egymásra helyezni vagy letakarni.
- A sérülések elkerülése érdekében a poharak nem érhetnek egymáshoz.
- A felső kosár a kényes és könnyebb edényeknek, például poharaknak, kávé- és teáscsészéknek való.
- A hosszú pengéjű kések függőlegesen tárolva potenciális veszélyt jelentenek!
- A hosszú, éles evőeszközöket, például a fafaragó késeket vízszintesen kell elhelyezni a felső kosárban.
- Kérjük, ne terhelje túl a mosogatógépet. Ez fontos a jó eredmény és az ésszerű energiafogyasztás érdekében.

MEGJEGYZÉS:

A nagyon apró tárgyakat nem szabad mosogatógépben mosogatni, mivel könnyen kieshetnek a kosárból.

Az edények kiszedése

Annak érdekében, hogy a felső kosárból ne folyjon víz az alsó kosárba, javasoljuk, hogy először az alsó kosarat ürítse ki, majd a felsőt.

FIGYELMEZTETÉS!

A termékek forróak lesznek! A sérülések elkerülése érdekében ne vegye ki a poharakat és evőeszközöket a mosogatógépből a program befejezése után körülbelül 15 percig.

A felső kosár betöltése

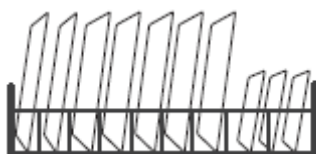
A felső kosár a kényesebb és könnyebb edények, például poharak, csészék és csészealjok a kávéhoz és a teához, valamint tányérok, kis tálak és sekély edények számára, feltéve, hogy nem túl szennyezettek). Az edényeket és főzőedényeket úgy helyezze el, hogy a vízszugár ne tudja elmozdítani őket.



Az alsó kosár betöltése

Javasoljuk, hogy a nagyméretű, nehezen tisztítható tárgyakat, például edényeket, serpenyőket, fedeleket, tálkákat és tálakat az alsó kosárba tegye, ahogy az alábbi ábrán látható. A tálkákat és a fedeleket ajánlott az állványok oldalára helyezni, hogy ne akadályozzák a felső permetező kart.

A mosószeradagoló előtt elhelyezett edények maximálisan ajánlott átmérője 19 cm, hogy ne akadályozzák a nyitást.



Az evőeszközkosár betöltése

Az evőeszközöket az evőeszközkosárban egymástól elkülönítve, a megfelelő helyen kell elhelyezni. Kerülje az evőeszközök összecsomósodását a tisztítási hatékonyság csökkenésének megelőzése érdekében.

FIGYELMEZTETÉS



Ne hagyja, hogy bármilyen tárgy kiálljon az alján.
Az éles eszközöket mindig hegyével lefelé tegye!

A legjobb mosási hatás érdekében, kérjük, töltsse be a kosarakat az 7. fejezetben található szabványos betöltési lehetőségek szerint.


Az öblítő és a mosószer szerepe

Az öblítőszer az utolsó öblítés során szabadul fel, hogy megakadályozza, hogy a vízcseppek foltokat és csíkokat hagyjanak az edényeken. Azáltal, hogy lehetővé teszi a víz lefolyását az edényekről, a száradást is elősegíti. A mosogatógépet folyékony öblítőszer használatára tervezték.

Csak márkás, mosogatógépekhez tervezett öblítőszeret használjon. Soha ne töltsse fel az öblítőszer-adagolót más anyagokkal (pl. mosogatógép-tisztítószerrel, folyékony mosogatószerrel). Ez a készülék károsodásához vezethet.

Az öblítőszer-adagoló utántöltési időközök

Az adagoló újratöltésének gyakorisága a mosogatás gyakoriságától és az alkalmazott öblítési beállításoktól függ.

Az öblítőszer alacsony szintjére figyelmeztető jelzés () akkor világít, ha több öblítőszerre van szükség. Ne töltsse túl az öblítőszer-adagolót.

A mosószer szerepe

A mosószerben lévő kémiai összetevőkre azért van szükség, hogy eltávolítsák, lebontsák és eltávolítsák a mosogatógépből az összes szennyeződést. A legtöbb kereskedelmi minőségű mosószer alkalmas erre a célra.

FIGYELMEZTETÉS!

A mosószer helyes használata

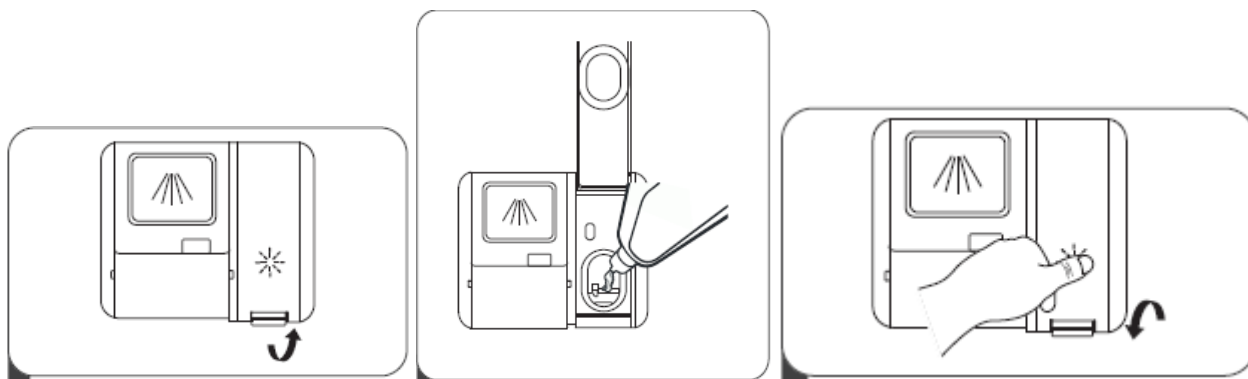
Csak kifejezetten mosogatógépekhez tervezett mosogatószert használjon. Tartsa a mosószert frissen és szárazon.

Ne tegyen mosószert az adagolóba a mosogatógép indítása előtt.

A mosogatószer maró hatású! A mosogatószert tartsa a gyermekek számára elérhetetlen helyen.

Az öblítőszeradagoló feltöltése.

1. Vegye le az öblítőadagoló fedelét a fogantyú felemelésével.
2. Öntse az öblítőfolyadékot az adagolóba, ügyelve arra, hogy ne töltsse túl.
3. Végül zárja le a fedelet.



Az öblítőszeradagoló beállítása.

Annak érdekében, hogy kevesebb öblítőszerrel nagyobb szárítási hatékonyságot érjen el, a mosogatógépet úgy tervezték, hogy az öblítőszer-fogyasztás a felhasználó által beállítható legyen. Kövesse az alábbi lépéseket.

1. Nyissa ki az ajtót, és kapcsolja be a készüléket.

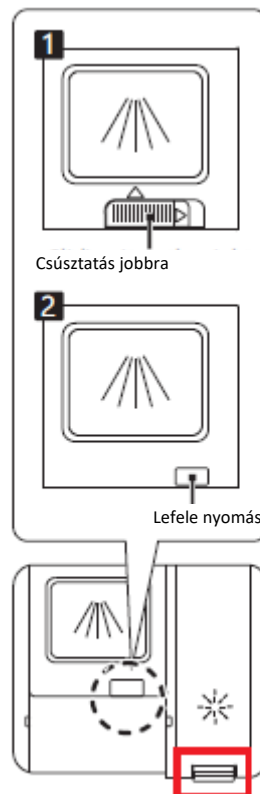
2. Az 1. lépéstől számított 60 másodpercen belül nyomja meg és tartsa lenyomva a Rapid gombot több mint 5 másodpercig, majd nyomja meg a Delay gombot a beállítás kiválasztásához, és az öblítőszer kijelzője villogni kezd.
3. Nyomja meg a Rapid gombot a megfelelő beállítás kiválasztásához az Ön használati szokásainak megfelelően, és a beállítások az alábbi sorrendben változnak: D1->D2->D3->D4->D5->D1. Minél magasabb a szám, annál több öblítőszeret használ a mosogatógép.
4. A beállítás befejezéséhez és a beállítási módból való kilépéshez 5 másodpercig ne nyomja meg egyik gombot sem, vagy nyomja meg a bekapcsológombot.

Öblítőszer szintje	Választó pozíciója
D1	A „Gyors” jelzőfény kigyullad
D2	a „90 perc” kijelző világít
D3	a „90 perc” és a „Gyors” jelzőfény világít.
D4	az „ECO” kijelző világít
D5	az „ECO” és a „Gyors” kijelzők világítanak

A mosószeres fiók feltöltése

Kérjük, válassza ki a nyitási módot az adott helyzetnek megfelelően.

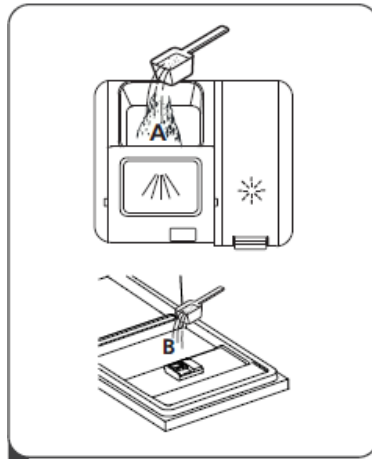
- A. Nyissa ki a fedelet a retesz elcsúsztatásával.
- B. Nyissa ki a fedelet a reteszek lenyomásával.



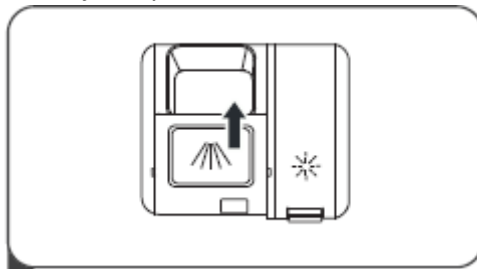
A fő mosási ciklushoz adjon mosószert a nagyobb rekeszbe (A).

A jobb tisztítási eredmény érdekében, különösen ha a tárgyak nagyon szennyezettek, öntsön kis mennyiségű mosószert az ajtóra.

A plusz mosószert az előmosási fázisban aktiválódik.



Csukja be a fedelet előre csúsztatva, majd lenyomva.



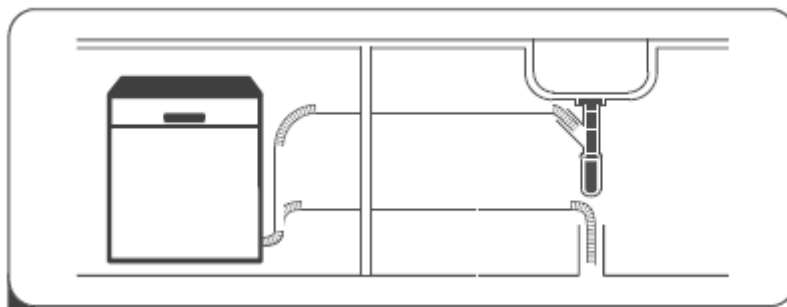
MEGJEGYZÉS:

Felhívjuk figyelmét, hogy a víz szennyezettségétől függően a beállítás eltérő lehet. Kérjük, kövesse a gyártó ajánlásait a mosószer csomagolásán.

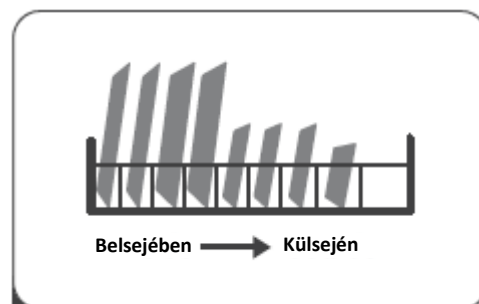
8. GYORS HASZNÁLATI ÚTMUTATÓ

Kérjük, olvassa el a használati útmutató megfelelő tartalmát a részletes használati eljárásért.

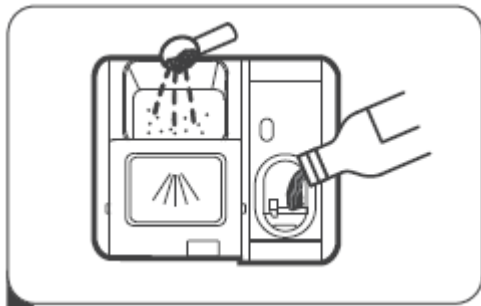
1. Szerelje be a mosogatógépet.



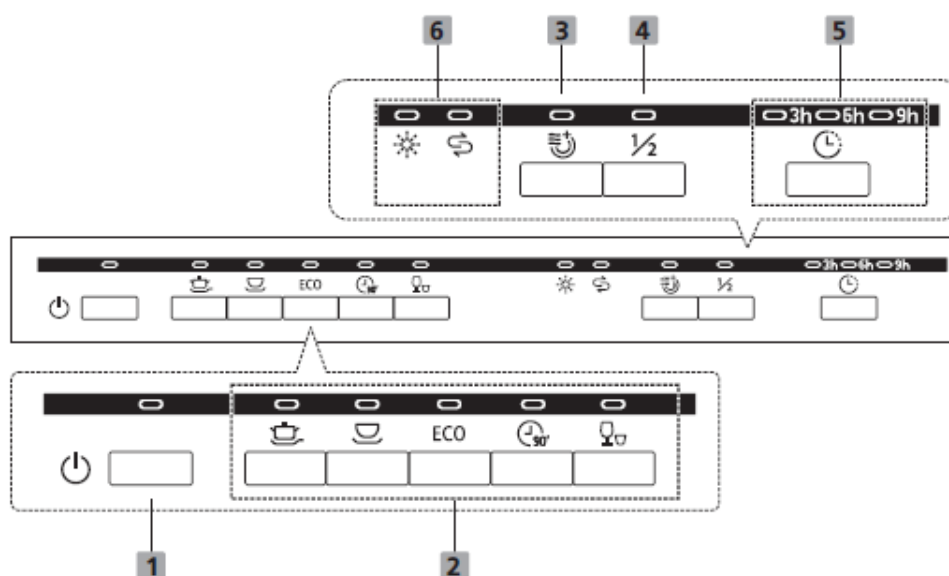
2. Távolítsa el a nagyobb maradékokat az edényekről. Kerülje az előöblítést.
3. Töltse be a kosarakat.











4. Töltse meg az adagolót mosószerral és öblítővel.
5. Válassza ki a megfelelő programot, és indítsa el a mosogatógépet.



9. VEZÉRLŐPANEL





1. Bekapcsolás	Nyomja meg ezt a gombot a mosogatógép elindításához.
2. Program	<p> Intenzív A legpiszkosabb étkészletekhez és edényekhez, fazekakhoz, serpenyőkhöz, tányérokhoz stb., amelyekre ételek száradtak rá.</p> <p> Univerzális Normál mértékben szennyezett edényekhez, például nem nagyon szennyezett fazekakhoz, tányérokhoz, poharakhoz és serpenyőkhöz.</p> <p>ECO ECO Ez egy standard program; normál szennyezettségű edények tisztítására alkalmas, és az ilyen típusú edények esetében a leghatékonyabb program a kombinált energia- és vízfogyasztás szempontjából.</p> <p> 90 min Általában szennyezett, gyors mosogatást igénylő edényekhez.</p> <p> Gyors</p>



	Rövidebb mosási program a nem túl szennyezett, szárítást nem igénylő edényekhez.
3. További szárítás	A jobb szárítási eredmény érdekében (csak az Intensive, Universal, ECO és 90 perces programokkal használható).
4. Betöltés félig	Amikor az edénykészlet felét vagy kevesebbet kell elmosogatnia, akkor ezt a funkciót választhatja, hogy energiát és vizet takarítson meg. (Csak az Intenzív, az Univerzális, az ECO, az Üveg és a 90 perces programmal használható)
5. Időzítés	Nyomja meg ezt a gombot az időzítő időtartamának beállításához (3h/6h/9h).
Kijelző	
6. Figyelmeztető jelző	 Öblítőszer Ha a „  ” jelzőfény világít, nincs elég öblítőszer a mosógépben.  Só Ha a „  ” jelzőfény világít, azt jelenti, hogy a mosógépben lévő lágyító só nem elegendő.

10. PROGRAMTÁBLÁZAT

Az alábbi táblázat a leghatékonyabb programokat mutatja be az edényeken lévő ételmaradékok mennyiségétől és a szükséges mosószer mennyiségétől függően. A programokkal kapcsolatos különböző információkat is feltünteti. A programok időtartamára és a mosószerfogyasztásra vonatkozó értékek csak tájékoztató jellegűek, kivéve az ECO programot.

- azt jelzi, hogy a program az utolsó öblítésnél öblítőszeret használ.

Program	Üzemciklus leírása	Előmosásra/ főmosásra használt mosószer	Működ ési idő (perc)	Energia (kWh)	Víz (L)	Öblítős er
 Intensive	Előmosás (50°C) Mosás (65°C) Öblítés Öblítés Öblítés (65°C) Szárítás	<u>4/18 g</u> (1 or 2 Mosószer kapszula)	205	1.621	17.8	●
 Universal	Előmosás (45°C) Mosás (55°C) Öblítés Öblítés (65°C) Szárítás	<u>4/18 g</u> (1 or 2 Mosószer kapszula)	175	1.302	14.3	●
ECO (*EN 60436)	Mosás (45°C) Öblítés Öblítés (60°C) Szárítás	<u>4/18 g</u> (1 or 2 Mosószer kapszula)	220	0.951	11.0	●

 90 min	Mosás (60°C) Öblítés Öblítés (65°C) Szárítás	22g (1 mosószer kapszula)	90	1.350	11.7	●
 Rapid	Mosás (50°C) Öblítés Öblítés (45°C)	20 g	30	0.751	11.2	○

MEGJEGYZÉS: Az ECO program a normál szennyezettségű edények tisztítására alkalmas, a kombinált energia- és vízfogyasztás szempontjából a leghatékonyabb program erre a felhasználásra, és az EU ökológiai tervezésre vonatkozó jogszabályainak való megfelelés értékelésére szolgál.

1. Az edény előöblítése növeli a víz- és energiafogyasztást, ezért nem ajánlott.
2. A háztartási mosogatógépben történő mosogatás általában kevesebb energiát és vizet fogyaszt a használati fázisban, mint a kézi mosogatás, ha a háztartási mosogatógépet az utasításoknak megfelelően használják.

Program indítása

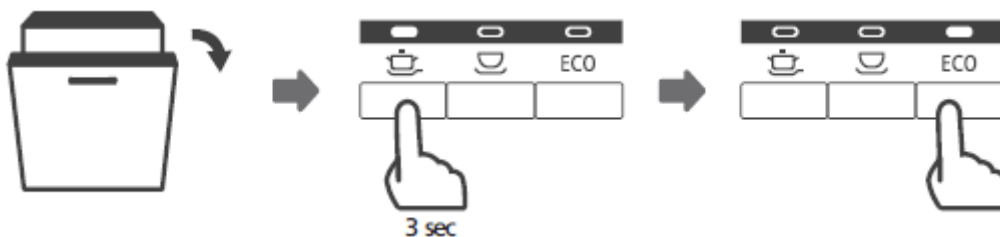
1. Húzza ki az alsó és a felső kosarat, helyezze bele az edényeket, majd tolja vissza őket. Javasoljuk, hogy először az alsó kosarat, majd a felső kosarat töltsse be.
2. Öntse bele a mosószeret.
3. Helyezze be a kosarat a foglalatba. Az áramforrással kapcsolatos információkat a termék adatlapján találja. Győződjön meg róla, hogy a vízellátás teljes nyomáson be van kapcsolva.
4. Zárja be az ajtót, majd nyomja meg a bekapcsológombot.
5. Válasszon ki egy programot, és a programjelző kigyullad. Ezután nyomja meg a Start/Pause gombot, és a mosogatógép elindítja a ciklust.

A program módosítása a működési ciklus alatt

Egy program csak akkor módosítható, ha csak rövid ideig volt üzemben, különben előfordulhat, hogy a mosószer már kioldódott, vagy a mosószeres mosóvíz már kiürült. Ebben az esetben a mosogatógépet újra kell indítani, és a mosószeradagolót újra kell tölteni.

A mosogatógép újraindításához kövesse az alábbi utasításokat:

1. A mosogatógép leállításához nyissa ki kissé az ajtót; miután a szórókar leállt, teljesen kinyithatja az ajtót.
2. Nyomja meg és tartsa lenyomva az egyik programgombot több mint három másodpercig, és a készülék aktiválja a programválasztó üzemmódot.
3. A programot szükség szerint módosíthatja.



Elfelejtett egy tányért betenni?

Egy elfelejtett tányért bármikor be lehet tenni, mielőtt kinyílna a mosószeradagoló. Ebben az esetben kövesse az alábbi utasításokat:

1. Nyissa ki kissé az ajtót a mosás leállításához.
2. Miután a szórókarok leálltak, teljesen kinyithatja az ajtót.
3. Tegye be az elfelejtett edényeket.

4. Zárja be az ajtót.
5. A mosogatógép újra elindul.



FIGYELMEZTETÉS!

Veszélyes kinyitni az ajtót a működési ciklus alatt, mivel a forró gőz égési sérüléseket eredményezhet.

Automatikus kinyílás

Mosás után az ajtó automatikusan kinyílik a nagyobb szárítási hatékonyság érdekében.

MEGJEGYZÉS:

A mosogatógép ajtaja nem záródhat, ha automatikus nyitásra van beállítva. Ez befolyásolhatja az ajtózár működését.

11. TISZTÍTÁS ÉS KARBANTARTÁS

Készülék külsejének gondozása

Ajtó és ajtótomítás

Rendszeresen tisztítsa meg az ajtótomításokat puha, nedves ruhával, hogy eltávolítsa az ételmaradékokat. A mosogatógép betöltésekor étel- és italmaradványok lefolyhatnak a mosogatógép ajtajának oldalain. Ezek a felületek a mosogatótérén kívül vannak, és a szórókarok vize nem éri el őket. A lerakódásokat az ajtó bezárása előtt le kell törölni.

Kezelőpanel

Szükség esetén a kezelőpanelt csak puha, nedves ruhával szabad megtörölni.

Figyelmeztetés:

- Annak elkerülése érdekében, hogy a víz behatoljon az ajtózárba és az elektromos alkatrészekbe, ne használjon semmilyen permetező tisztítóeszközt.
- Semmiképpen ne használjon súrolószeres tisztítószeret vagy drótszivacsot a külső felületeken, mivel ezek megkarcolhatják a fényezést. Egyes papírtörölők is megkarcolhatják vagy nyomokat hagyhatnak a felületeken.

Készülék belsejének gondozása

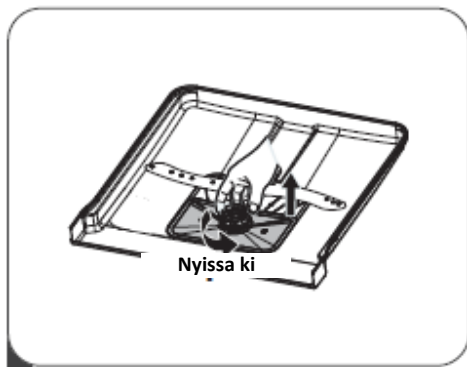
Szűrőrendszer

A mosórekesz alján található szűrőrendszer visszatartja a mosási ciklusból származó durva szennyeződések, beleértve az olyan idegen tárgyakat, mint a fogpiszkáló vagy az üveg. Az összegyűlt durva törmelék a szűrők eltömődését okozhatja. Rendszeresen ellenőrizze a szűrők állapotát, óvatosan távolítsa el az idegen tárgyakat, és szükség esetén vízzel tisztítsa meg a szűrőrendszer alkatrészeit. A szűrő tisztításához kövesse az alábbi lépéseket.

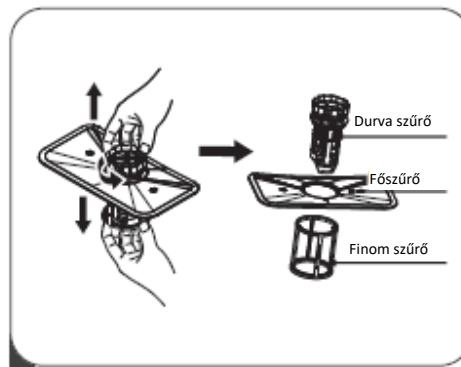
MEGJEGYZÉS:

A képek csak tájékoztató jellegűek; a modelltől függően a szűrőrendszerek és a szórókarok eltérőek lehetnek.

1. lépés: Fogja meg a durva szűrőt, és az óramutató járásával ellentétes irányban elforgatva oldja ki a reteszelést. Emelje fel a szűrőt függőlegesen, és vegye ki a mosogatógépből.
2. lépés: A finom szűrő a szűrőegység aljáról távolítható el. A durva szűrő a felső rögzítőelemek óvatos összenyomásával és kihúzásával leválasztható a főszűrőről.

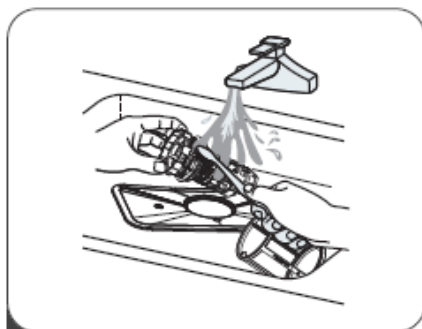


1. Lépés

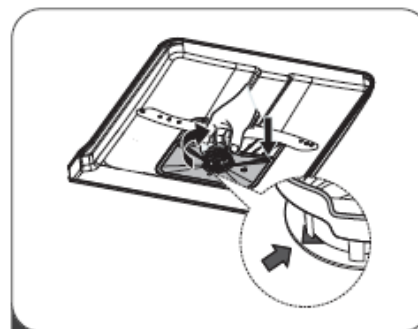


2. Lépés

3. lépés: A nagyobb ételmaradékot a szűrő folyó víz alatti öblítésével lehet eltávolítani. Az alaposabb tisztításhoz használjon puha tisztítókefét.
4. lépés: Szerelje vissza a szűrőket a szétszerelés fordított sorrendjében, helyezze vissza a szűrőbetétet, és forgassa az óramutató járásával megegyező irányba, amíg a nyíl a zárás felé mutat.



3. Lépés



4. Lépés

Figyelmeztetés:

Ne szorítsa meg túlságosan a szűrőket. A szűrőket a megfelelő sorrendben cserélje ki. Ellenkező esetben durva törmelék kerülhet a rendszerbe és dugulást okozhat.

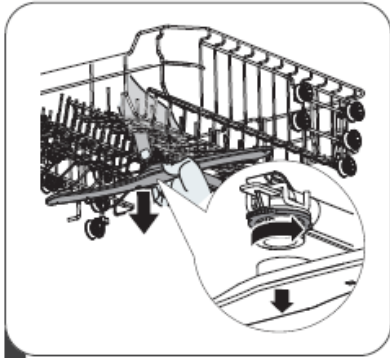
Semmilyen körülmények között ne használja a mosogatógépet, ha a szűrők nincsenek felszerelve. A szűrők nem megfelelő cseréje csökkentheti a készülék teljesítményszintjét, és károsíthatja az edényeket és eszközöket.

Szórókarok

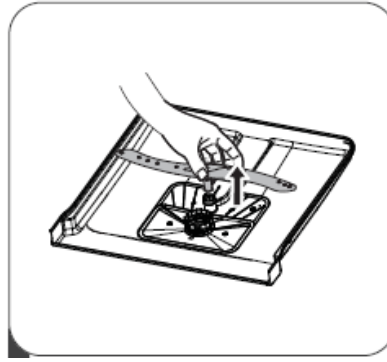
A szórókarokat rendszeresen tisztítani kell, mivel a kemény vízben lévő vegyi anyagok eltömíthetik a szórókar nyílásait és csapágait.

A szórókarok tisztításához kövesse az alábbi utasításokat:

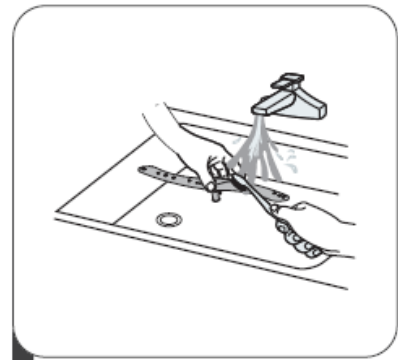
1. lépés: A felső szórókar eltávolításához tartsa helyben a középső anyát, és forgassa el a szórókart az óramutató járásával ellentétes irányban.
2. lépés: Az alsó szórókar eltávolításához húzza felfelé a szórókart.
3. lépés: Mossa ki a karokat meleg vízben, mosószerrel, és puha kefével tisztítsa meg a szórónyílásokat.



1. Lépés



2. Lépés



3. Lépés

Mosogatógép gondozása

Fagyvédelmi intézkedések

Télen fagyvédelmi intézkedéseket kell tenni a mosogatógép számára. Minden mosási ciklus után a következőképpen járjon el:

1. Válassza le a mosogatógépet az áramforrásról.
2. Kapcsolja ki a vízellátást, és húzza ki a vízellátó tömlőt a vízcsapból.
3. Engedje le a vizet a beömlőtömlőből és a szelepből. (Használjon egy tálat a víz összegyűjtéséhez)
4. Csatlakoztassa újra a vízellátó tömlőt a szelephez.
5. Vegye ki a szűrőt a mosórekesz aljáról, és egy szivaccsal itassa fel a vizet.

Minden mosás után

Minden mosás után zárja el a készülék vízellátását, és egy ideig hagyja nyitva az ajtót, hogy a nedvesség és a szagok ne maradjanak bent.

Húzza ki a dugót a csatlakozóaljzattól

Tisztítás vagy karbantartás előtt mindig húzza ki a dugót a csatlakozóaljzattól.

Ne használjon oldószereket vagy súroló hatású tisztítószereket

Ne használjon oldószereket vagy súrolószereket a mosogatógép külső és gumi részeinek tisztításához. Kizárólag mosogatókefét és meleg vízzel, mosószerral ellátott mosogatószert használjon. A belső felület foltjainak eltávolításához használjon vízzel és egy kevés ecettel vagy kifejezetten mosogatógépekhez kifejlesztett tisztítószerrel nedvesített ruhát.

Ha hosszabb ideig nem használják

Javasoljuk, hogy hagyja, hogy a mosogatógép egy mosogatói ciklust edények nélkül lefusson, majd húzza ki az állványt, zárja el a vízellátást, és hagyja nyitva a készülék ajtaját. Ez meghosszabbítja az ajtó-tömítések élettartamát, és megakadályozza a szagok kialakulását a készülék belsejében.

A készülék elmozdítása

Ha a készüléket mozgatni kell, igyekezzen függőlegesen tartani. Szükség esetén a készüléket a hátára is lehet helyezni.

Tömítések

A mosogatógépben a szagok egyik okozója az, hogy az ételek beszorulnak a tömítésekbe. A rendszeres nedves szivaccsal történő tisztítás megakadályozza ezt.

12. HIBAEHÁRÍTÁS

Hibakódok	Jelentések	Lehetséges okok
A „Gyors” jelző villog.	Hosszabb beviteli idő.	A csap nincs megnyitva, a vízbevezetés el van zárva, vagy a víznyomás túl alacsony.
A „Gyors” és „90Min” jelzők villognak	A kívánt hőmérséklet nem érhető el	Fűtőelem meghibásodása
Az „ECO” jelző villog	Vízszivárgás.	A mosogatógép egyes részei szivárognak.
A „Gyors”, „ECO” és „Universal” jelzők villognak	Kommunikációs hiba a fő áramköri kártya és a kijelző áramköri kártya között.	Nyitott áramkör vagy kommunikációs kábelszakadás.

FIGYELMEZTETÉS

Szivárgás esetén zárja el a fő vízellátást, mielőtt a szervizhez fordulna.

Ha a mosogatótérben túltöltés vagy kisebb szivárgás miatt víz van, a mosogatógép újraindítása előtt el kell távolítani a vizet.

Ha a készülék olyan hibakódot jelenít meg, amely nem törölhető, kérjük, forduljon műszaki szakértőhöz.

HIBAEHÁRÍTÁS

Mielőtt műszaki segítséget kérne

A következő oldalakon található táblázatok áttekintése megspórolhatja a műszaki támogatás igénybevételét.

Probléma	Lehetséges okok	Megoldások
A mosogatógép nem indul el	A biztosíték kiégett vagy a megszakító bekapcsolva.	Cserélje ki a biztosítékot, vagy állítsa vissza a megszakítót. Távolítsa el minden más olyan készüléket, amely ugyanarról az áramkorról kap áramot, mint a mosogatógép.
	A tápegység nincs bekapcsolva.	Győződjön meg róla, hogy a mosogatógép be van kapcsolva, és az ajtó biztonságosan zárva van. Győződjön meg róla, hogy a tápkábel dugója megfelelően csatlakozik a fali csatlakozóhoz.
	Alacsony a víznyomás	Ellenőrizze, hogy a vízellátás megfelelően van-e csatlakoztatva, és hogy a víz be van-e kapcsolva.
	A mosogatógép ajtaja nem záródik megfelelően.	Győződjön meg róla, hogy az ajtót megfelelően bezárja és rögzíti.
A mosogatógépből nem folyik ki a víz	A lefolyócső el van csavarodva vagy eltömődött.	Ellenőrizze a lefolyótömlőt.
	A szűrő eltömődött.	Ellenőrizze a szűrőrendszert.
	A mosogató lefolyója eldugult.	Ellenőrizze, hogy a mosogató lefolyója jó állapotban van-e. Ha a probléma a mosogatóval van, amelynek lefolyója nem működik megfelelően, akkor inkább vízvezeték-szerelőre, mint mosogatógép-szerelőre lehet szüksége.
	Nem megfelelő mosószer	Csak speciális mosogatószert használjon a habzás elkerülése érdekében. Ebben az esetben nyissa ki a mosogatógépet, és hagyja, hogy a hab elpárologjon. Töltsön 1 liter hideg vizet a mosogatógép aljára.

Hab képződik a mosórekeszben		Csukja be a mosogatógép ajtaját, majd válasszon ki egy tetszőleges mosási programot. Kezdetben a mosogatógép le fogja engedni a vizet. Amikor a lefolyási szakasz befejeződött, nyissa ki az ajtót, és ellenőrizze, hogy a hab eltűnt-e. Ha szükséges, ismétlje meg az eljárást.
	Kiömlött öblítőszer.	Azonnal törölje fel a kiömlött folyadékot.
A mosórekesz belseje foltos.	Lehet, hogy festékekkel szennyezett mosószert használtak.	Győződjön meg róla, hogy a mosószer nem tartalmaz festéket.
Fehér filmréteg a belső felületen	A kemény vízben lévő ásványi anyagok.	A belső tér tisztításához használjon nedves, mosogatógépben mosható ruhát, és viseljen gumikesztyűt. Soha ne használjon mást, mint mosogatószert, különben habosodást okozhat.
Rozsdafoltok képződnek az evőeszközökön	Az érintett termékek nem korrózióállóak.	Kerülje a nem korrózióálló tárgyak mosogatógépben való mosását.
	A lágyító só hozzáadása után nem futtattak le programot. A mosási ciklus alatt a só nyomokban a készülékben maradt.	A só hozzáadása után mindig futtasson le egy mosogatógép mosogatószer nélküli programot. Ne válassza a Turbo funkciót (ha van) a mosogatógép só hozzáadása után.
	A lágyító fedele meglazult	Ellenőrizze, hogy a mosogatógép fedele jól zárva van-e.
A mosogatógép csörömpölés hallatszik	A szórókar eltalál egy tárgyat egy kosárban.	Szakítsa meg a programot, és rendezze át azokat az elemeket, amelyek megakadályozzák a szórókar működését.
A mosogatógép csörgés hallatszik	Az edények nincsenek megfelelően elhelyezve a mosogatógépben.	Szakítsa meg a programot, és rendezze át az edényeket.
A vízvezetékben csörömpölés hallatszik	Ennek oka lehet a beépítési módszer vagy a csövek keresztmetszete.	Ez nincs hatással a mosogatógép működésére. Kétség esetén forduljon szakképzett szerelőhöz.
Az edények nem tiszták	Az edények nem voltak megfelelően betöltve.	Lásd a II „Az edények előkészítése és elhelyezése” című részt.
	A program nem volt elég erős.	Válasszon egy intenzívebb programot.
	Nem adagolt elég mosószert.	Használjon több mosószert vagy cserélje ki a mosószert.
	Egyes tárgyak akadályozzák a szórókarok mozgását.	Rendezze át a tárgyakat úgy, hogy a szórófej szabadon foroghasson.
	A szűrőegység nem tiszta vagy nem megfelelően illeszkedett a mosogatórekeszbe. Ez a szórókarok nyílásainak eltömődését okozhatja.	Tisztítsa meg és/vagy illessze be megfelelően a szűrőt. Tisztítsa meg a szórókar lyukakat. Az üvegtárgyak átlátszatlan megjelenése.
	Az alacsony keménységű víz és a túl sok mosószer kombinációja.	Használjon kevesebb mosószert, ha a használt víz alacsony keménységű, válasszon rövidebb programot az üvegáruk mosásához és tisztításához.

Fehér foltok jelennek meg az edényeken és poharakon	A kemény víz vízkőlerakódásokat okozhat.	Ellenőrizze a vízlágyító beállításait vagy a sótartályban lévő só mennyiségét.
Fekete vagy szürke foltok az edényeken	Az alumínium eszközök az edényekhez dörzsölődtek.	E nyomok eltávolításához használjon enyhe súrolószeres tisztítószert.
Mosószer maradt az adagolóban	Az edények eltömítik a mosogatószer-adagolót	Töltse be az edényeket megfelelően
Az edények nem száradnak meg	A betöltés nem megfelelő	A bőrirritáció elkerülése érdekében használjon kesztyűt, ha mosószer maradványok maradnak az edényeken.
	Az edényeket túl gyorsan veszik ki	Ne ürítse ki a mosogatógépet közvetlenül mosogatás után. Kissé nyissa ki az ajtót, hogy a gőz távozni tudjon. Az edényeket a készülék belsejében lévő hőmérséklet szempontjából biztonságosan vegye ki. Először az alsó kosarat ürítse ki, hogy a víz ne folyjon ki a felső kosárból.
	Rossz programot választottak ki.	Rövid program esetén a mosási hőmérséklet alacsonyabb, ami csökkenti a tisztítási teljesítményt. Válasszon hosszú mosási idővel rendelkező programot.
	Nem megfelelő bevonattal rendelkező evőeszközök használata.	A víz kiürítése nehezebb ezeknél a tárgyaknál. Az ilyen típusú evőeszközök vagy edények nem moshatók a mosogatógépben.

SZERVIZ ÉS ÜGYFÉLSZOLGÁLAT

Kizárólag eredeti cserealkatrészeket használjon.

Mielőtt felvenné a kapcsolatot az engedélyezett szakszervizünkkel, győződjön meg róla, hogy a következő adatok a rendelkezésére állnak: Modell megnevezése és sorozatszama

Ezeket az adatokat a készülék műszaki adattábláján találja. Ezek az adatok előzetes értesítés nélkül is megváltoztathatók.

MŰSZAKI ADATOK

A termék műszaki adatai a készülék műszaki adattábláján és az energiacímkéjén vannak feltüntetve.

A hűtőszekrény energiacímkéjén található QR-kód egy internetes linket biztosít a készülék teljesítményével kapcsolatos információkhoz, melyek az EPREL adatbázisban találhatóak.

Utólagos tanulmányozás céljából, őrizze meg az energiacímkét a használati útmutatóval valamint a készülék egyéb dokumentumaival együtt.

Úgyszintén, ezeket az információkat az EPREL adatbázisban is megtalálja. Ennek érdekében használja a következő linket: <https://eprel.ec.europa.eu> és adja meg a termék megnevezését és sorozatszámát, amelyeket a készülék műszaki adattábláján talál.

A termékével kapcsolatos információk eléréséhez az EPREL portálon beolvashatja az alábbi kódokat:



Köszönjük, hogy termékünket választotta! Ha termékével kapcsolatosan további információra van szüksége, keresse fel honlapunkat az alábbi linkeket használva:

A használati útmutatókat innen töltheti le: <https://www.heinner.ro>

A javításokra vonatkozó adatokat itt találja: <https://www.heinner.ro>



A hulladékok környezetfelelős eltávolítása

Segíthet a környezet védelmében!

Kérjük, tartsa be a helyi rendelkezéseket: a nem működő elektromos berendezéseket a használt elektromos hulladékokat gyűjtő központba szolgáltatassa be.



A HEINNER a **Network One Distribution SRL(KFT)** társaság által bejegyzett védjegy. A többi márkajelzés és a termékek megnevezése kereskedelmi vagy az illető birtoklók által bejegyzett márkanevek.

A műszaki leírások egyik része sem reprodukálható semmilyen formában és semmilyen módon, és nem használható fel fordításra, átváltoztatásra vagy alkalmazásra a NETWORK ONE DISTRIBUTION társaság előzetes beleegyezése nélkül.

Copyright © 2013 Network One Distribution. Minden jog fenntartva.

www.heinner.com, <http://www.nod.ro>

<http://www.heinner.com>, <http://www.nod.ro>



A terméket az Európai Közösség előírásainak és jogszabályainak megfelelően tervezték és gyártották.



Importator: **Network One Distribution**

Str. Marcel Iancu, nr. 3-5, București, România

Tel: +40 21 211 18 56, www.heinner.com, www.nod.ro